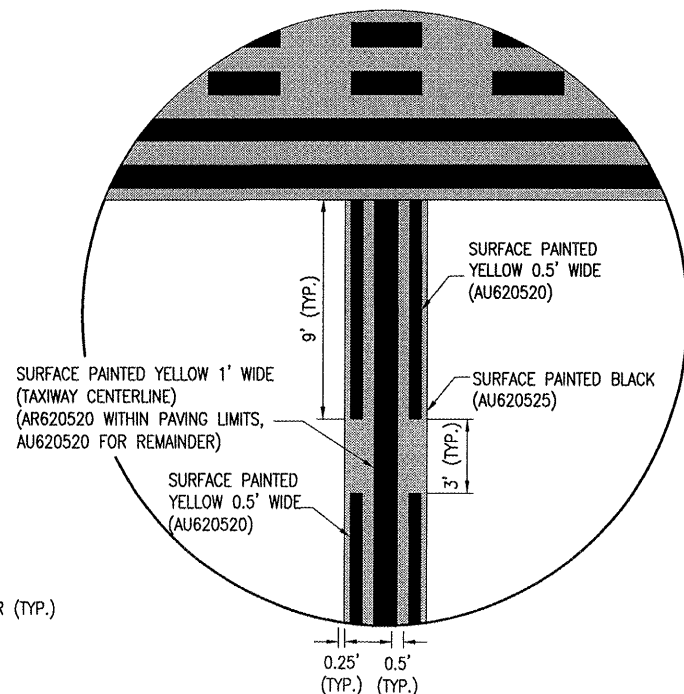
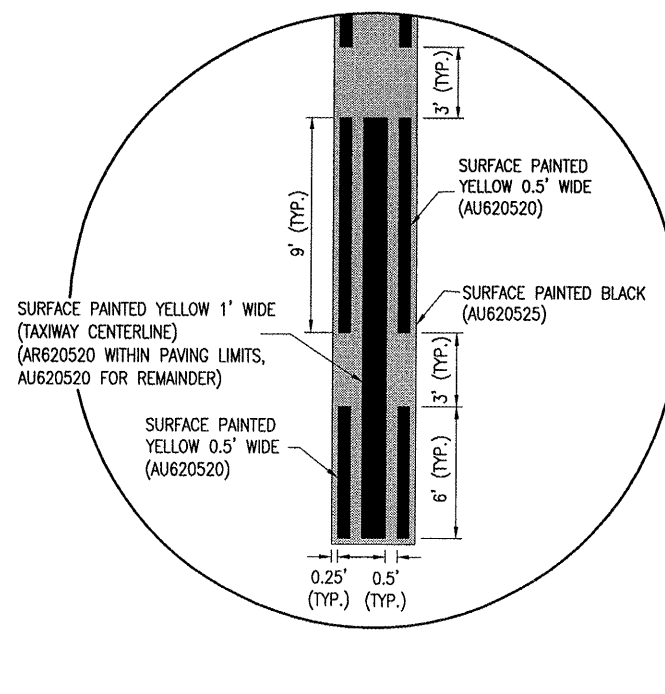


HOLDING POSITION DETAIL
"NOT TO SCALE"



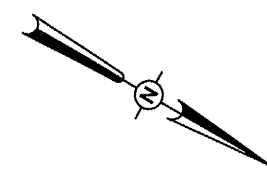
ENHANCED TAXIWAY MARKING DETAIL (BEGIN)
"NOT TO SCALE"



ENHANCED TAXIWAY MARKING DETAIL (END)
"NOT TO SCALE"

WORK SHOWN ON THIS SHEET INCLUDES ITEMS FOR BOTH THE BASE BID AND ADDITIVE ALTERNATE NO. 3.

- LEGEND**
- EXISTING PAVEMENT
 - PROPOSED PAVEMENT
 - EXISTING PAVEMENT MARKING
 - PROPOSED PAVEMENT MARKING



0' 25' 50' 100'
FULL SIZE SCALE: 1" = 50'
HALF SIZE SCALE: 1" = 100'

DATE	REVISION	BY

MT. VERNON AIRPORT

 MT. VERNON, ILLINOIS
 A.I.P. PROJ.: 3-17-0074-B18
 IL. PROJ.: MW-3818

DATE	REVIEWED	BY
08/18/08	RAW	
02/26/08	MLH	
02/15/08	MLH	

Hanson Project No. 08A0003D
 Filename: R-151MRK.DWG
 Scale: 1" = 50'
 Date: 08/18/08

HANSON

 Hanson Professional Services Inc.
 1525 South Sixth Street
 Springfield, IL 62766
 Offices Nationwide

REHABILITATE TAXIWAYS
 "C" AND "D"
 INSTALL ELECTRICAL
 EQUIPMENT
 PROPOSED PAVEMENT
 MARKING PLAN
 STA. 140+50 TO STA. 151+75

JUN 30 2008 6:30 PM WALLE00723
 I:\AIRPORTS\MTVERNON\08A0003\DESIGN\CAD\SHEETS\R-151MRK.DWG - 140+50 to 151+75