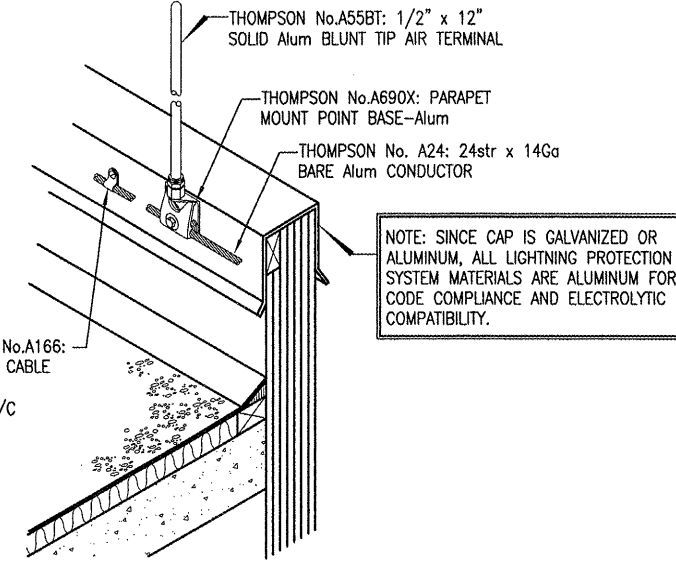


1 **DETAIL A**  
NTS



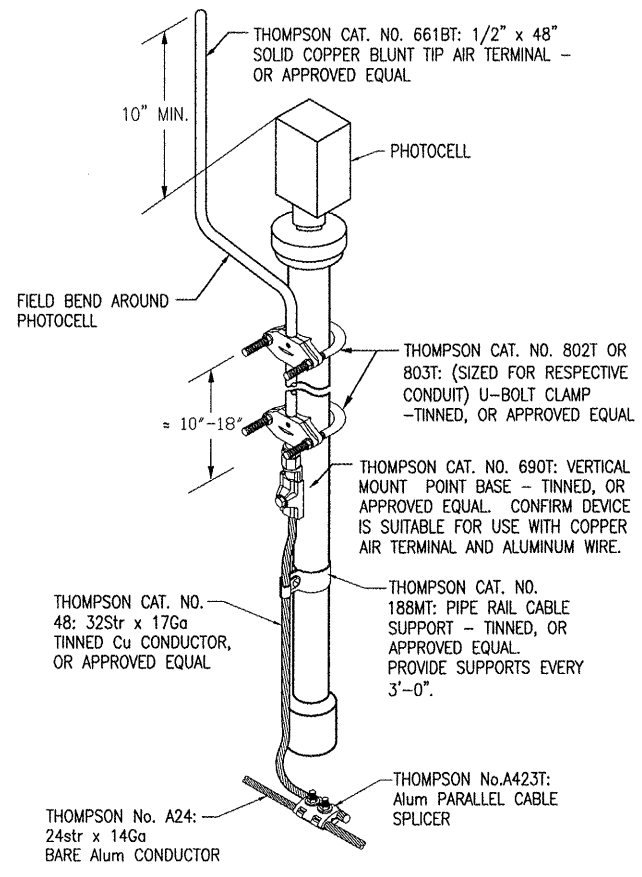
6 **DETAIL TR**  
NTS

NOTE: SINCE CAP IS GALVANIZED OR ALUMINUM, ALL LIGHTNING PROTECTION SYSTEM MATERIALS ARE ALUMINUM FOR CODE COMPLIANCE AND ELECTROLYTIC COMPATIBILITY.

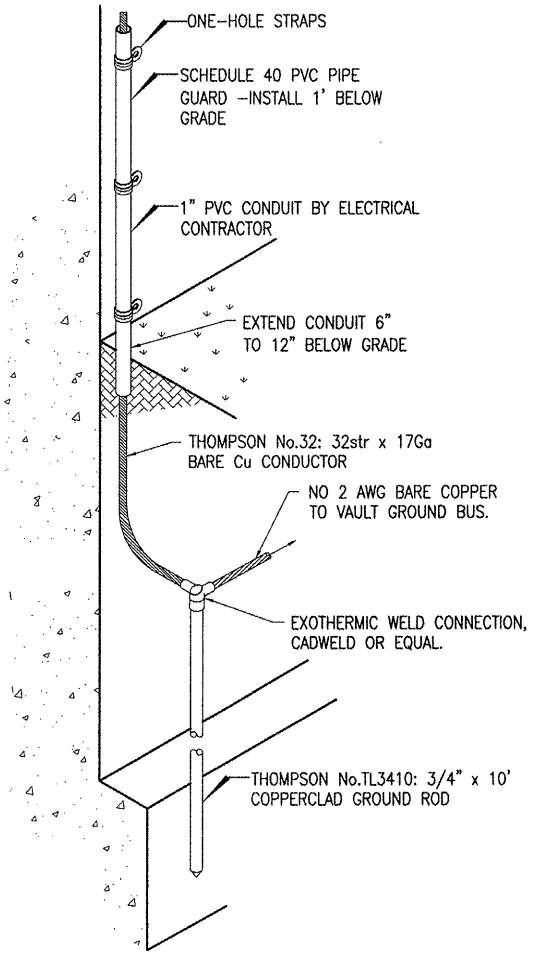
- NOTES**
1. REFERENCES TO THOMPSON ARE THOMPSON LIGHTNING PROTECTION INC., 901 SIBLEY MEMORIAL HWY, ST. PAUL, MN 55118, PHONE: 651-455-7661, 800-777-1230, FAX: 651-455-2545.
  2. VERIFY LIGHTNING PROTECTION COMPONENTS AND CATALOG NUMBERS WITH THE RESPECTIVE LIGHTNING PROTECTION EQUIPMENT MANUFACTURER.

**WORK & DETAILS SHOWN ON THIS SHEET IS FOR ADDITIVE ALTERNATE NO. 1**

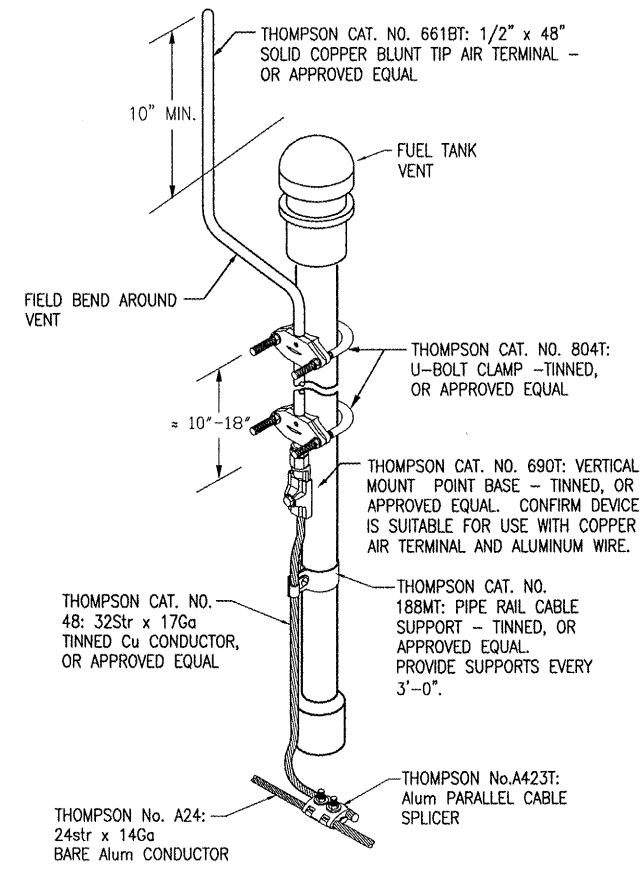
2 **DETAIL B**  
NTS



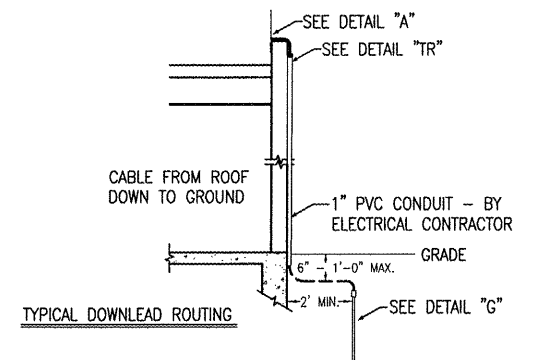
3 **DETAIL C**  
NTS



5 **DETAIL G**  
NTS



7 **DETAIL D**  
NTS



4 **TYPICAL DOWNLEAD ROUTING DETAIL X**  
NTS

BY	
REVISION	
DATE	
 A.I.P. PROJ.: 3-17-0074-B18 I.L. PROJ.: MW-3818	
Hanson Project No. 08A0003D Drawing E-501.DWG Scale NONE Date 06/18/08 LAYOUT KNL 06/05/08 DRAWN MV 06/05/08 REVIEWED CAH 06/11/08	
 Hanson Professional Services Inc. 1525 South Sixth Street Springfield, Illinois 62703-2886 Offices Nationwide	
REHABILITATE TAXIWAYS	"C" AND "D" INSTALL ELECTRICAL EQUIPMENT
LIGHTNING PROTECTION DETAILS	
<span style="font-size: 2em;">23</span> 23 of 30 sheets	