

BY	
REVISION	
DATE	

MT. VERNON AIRPORT

 MT. VERNON, ILLINOIS
 I.L. PROJ.: MVN-3818 A.I.P. PROJ.: 3-17-0074-B18

Hanson Project No.	08400030
File Name	E-605.DWG
Scale	NONE
Date	06/18/08
LAYOUT	KNL 12/02/05
DRAWN	MV 12/02/05
REVIEWED	LDP 12/16/05

HANSON

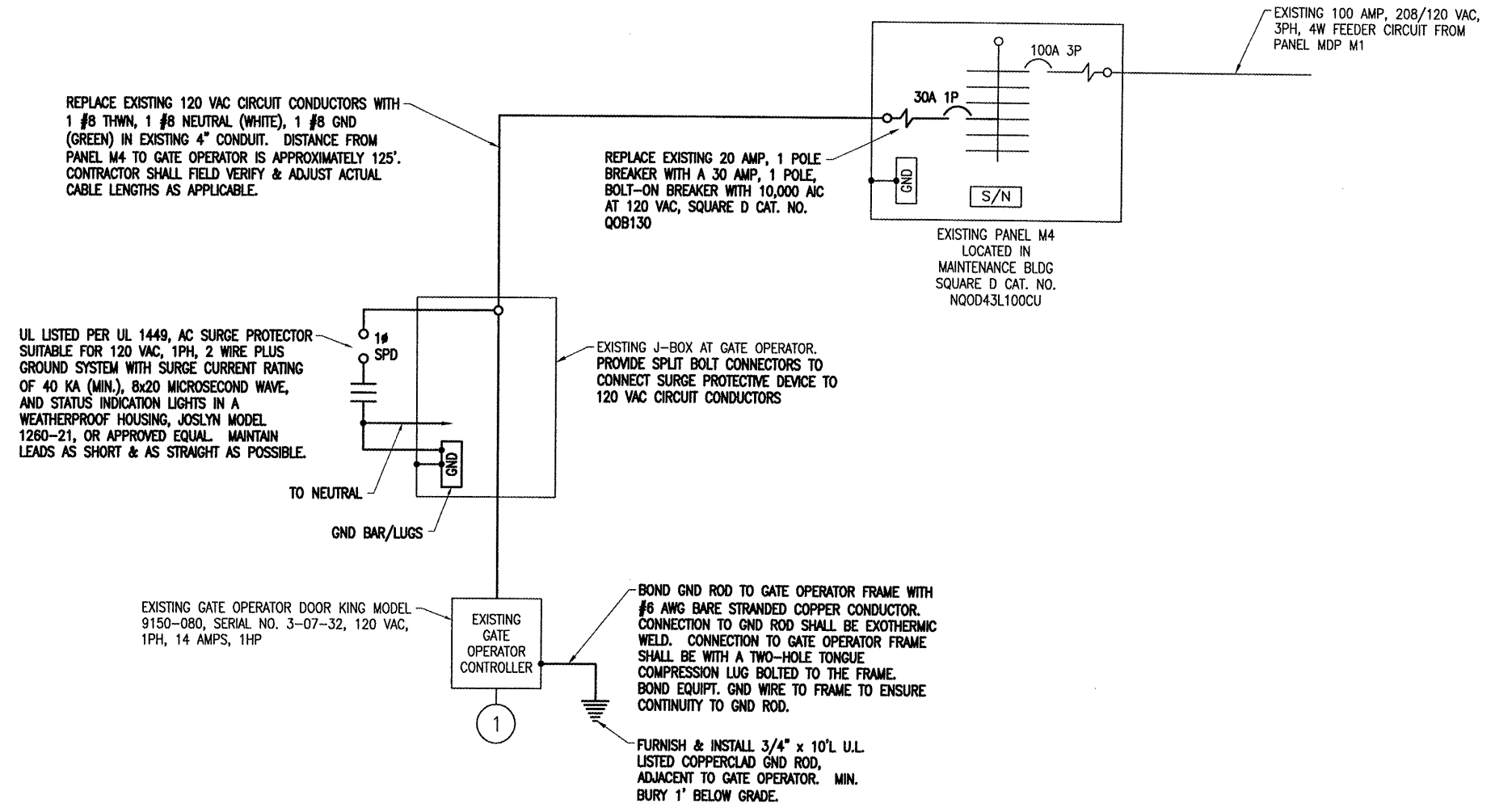
 Hanson Professional Services, Inc.
 1525 South Sixth Street
 Springfield, Illinois 62703-2886
 Offices Nationwide

REHABILITATE TAXIWAYS
 "C" AND "D"
 INSTALL ELECTRICAL
 EQUIPMENT
 GATE NO. 7
 ELECTRICAL ONE LINE

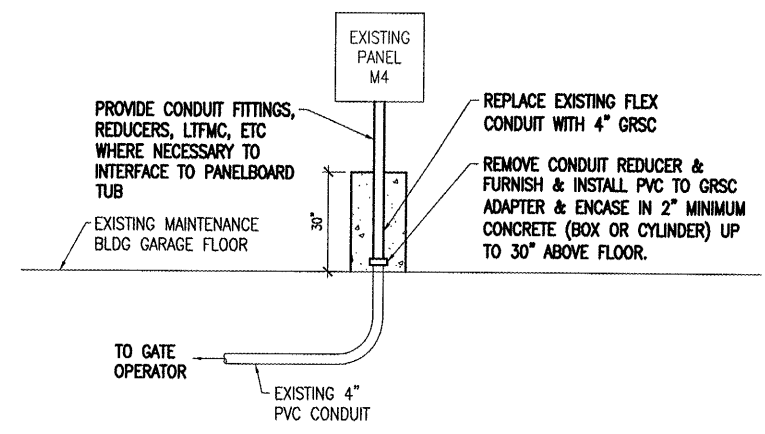
ELECTRICAL NOTES

- ELECTRIC SLIDE GATE NO. 7 IS LOCATED AT THE MAINTENANCE BUILDING.
- ALL ELECTRICAL EQUIPMENT SHALL BE INSTALLED IN CONFORMANCE WITH NFPA 70 - NATIONAL ELECTRICAL CODE (NEC) MOST CURRENT ISSUE IN FORCE, THE RESPECTIVE EQUIPMENT MANUFACTURER'S DIRECTIONS AND ALL OTHER APPLICABLE LOCAL CODES, LAWS, ORDINANCES, AND REQUIREMENTS IN FORCE. ANY INSTALLATIONS WHICH VOID THE U.L. LISTING, ETL LISTING (OR OTHER THIRD PARTY LISTING) AND/OR THE MANUFACTURER'S WARRANTY OF A DEVICE WILL NOT BE PERMITTED.
- CONTRACTOR SHALL COORDINATE NEW WORK AND ANY POWER OUTAGES TO EXISTING EQUIPMENT WITH THE RESPECTIVE USER PERSONNEL & THE AIRPORT DIRECTOR.
- ALL EQUIPMENT NOT LABELED AS EXISTING IS NEW.
- PROVIDE A WEATHERPROOF ENGRAVED PHENOLIC OR PLASTIC LEGEND PLATE FOR THE SAFETY SWITCH AT THE RESPECTIVE GATE OPERATOR LABELED "GATE NO. 7, 120 VAC, FED FROM PANEL M4".
- FURNISH AND INSTALL A LOW VOLTAGE LINE PROTECTOR FOR THE EXISTING CARD READER UNIT. LOW VOLTAGE LINE PROTECTOR SHALL BE SUITABLE FOR USE ON THE RESPECTIVE CONTROL VOLTAGE SYSTEM USED IN THE CARD READER UNIT, AC OR DC PROTECTION MODES (AS APPLICABLE) ON ALL LINES WITH A SURGE CURRENT RATING OF 2000 AMPS (MINIMUM). LOW VOLTAGE LINE PROTECTOR FOR 12 VDC, 24 VDC, OR 24 VAC APPLICATIONS SHALL BE DITEK CORPORATION, MODEL DTK-4LVLP-CR, OR APPROVED EQUAL. LOCATE INSIDE GATE OPERATOR HOUSING.
- FURNISH AND INSTALL A #12 AWG EQUIPMENT GROUND WIRE FROM THE GATE OPERATOR TO THE CARD READER UNIT IN THE EXISTING CONTROL WIRING CONDUIT.
- CONTRACTOR SHALL FIELD VERIFY EXISTING CONDITIONS.
- WORK SHOWN ON THIS SHEET SHALL BE PAID FOR UNDER ITEM AT109200.

WORK SHOWN ON THIS SHEET IS FOR ADDITIVE ALTERNATE NO. 2



GATE NO. 7 ELECTRICAL ONE LINE



PANEL M4 & GATE NO. 7 CONDUIT ELEVATION DETAIL

NOTE: TRANSITION FROM PVC TO GRSC & 2" CONCRETE ENCASEMENT REQUIRED TO COMPLY WITH NEC 511.4 & NEC 501.5(A)(4) EXCEPTION NO. 1. ALSO SEE NEC 230.6(2).