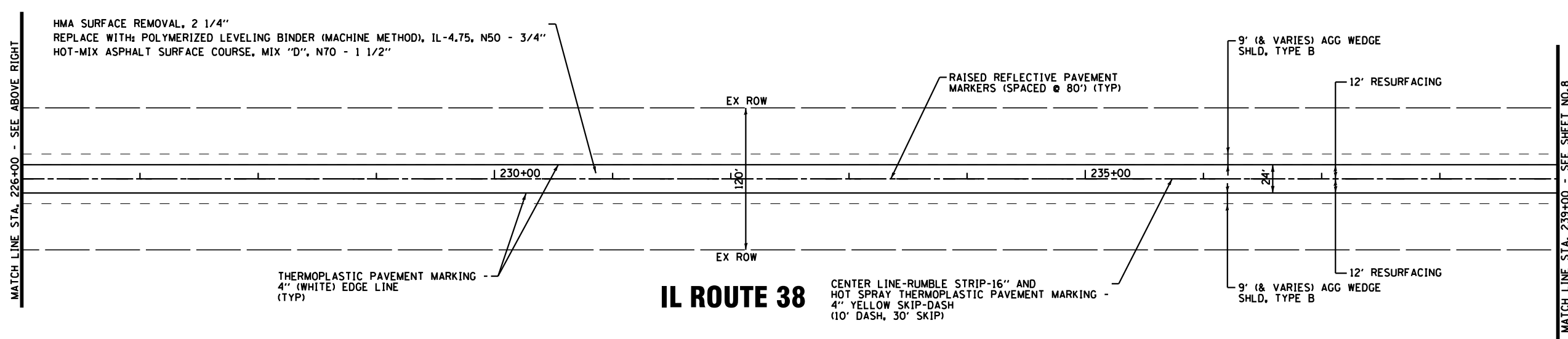
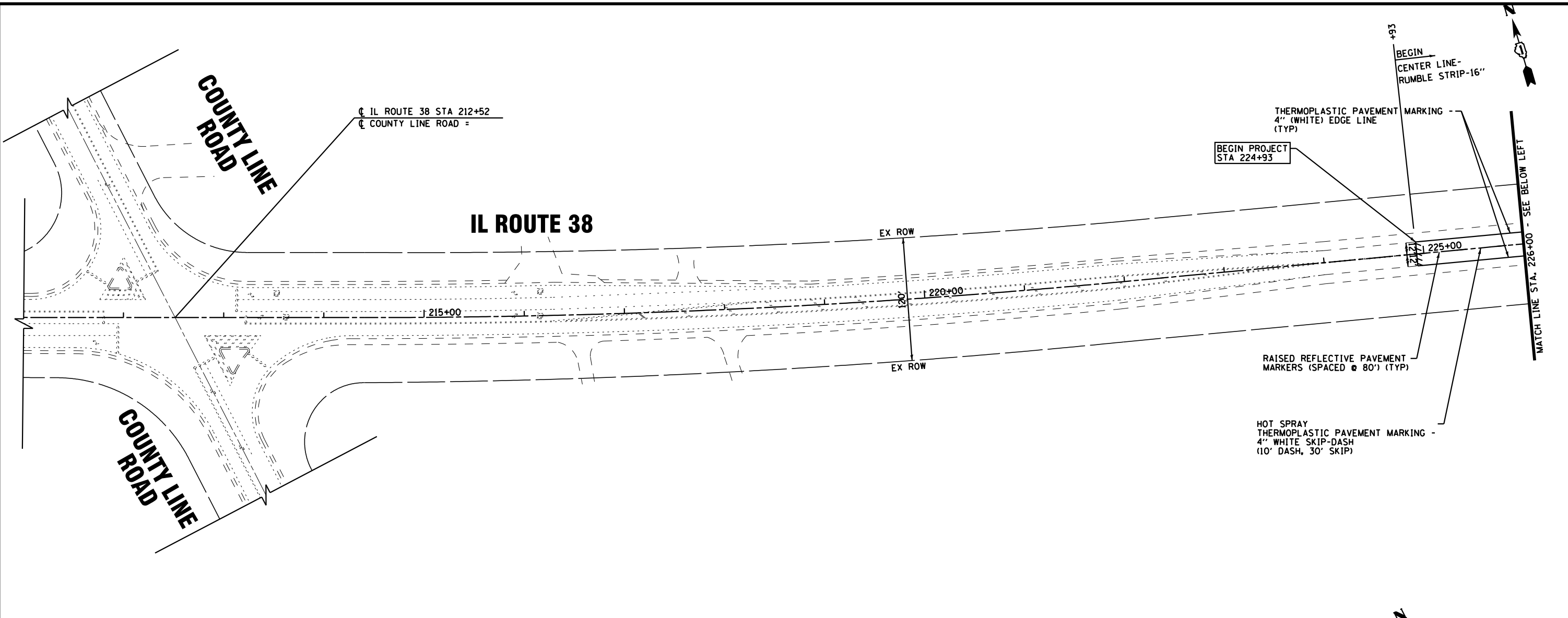


COPYRIGHT © 2014 BY BAXTER & WOODMAN, INC.  
 STATE OF ILLINOIS - PROFESSIONAL DESIGN FIRM  
 LICENSE NO. - 184-00121 - EXPIRES 4/30/2015  
 263mcc 5/22/2014 3:24:09 PM  
 ..\pilotdr\100153-WO-16-PLAN1.shp  
 ..\PLOTS\100153-WO-16-PEN1.plt  
 I:\CrysalLakes\LDOT\100153-140-Design\WO-16 11 38 Dekalb To Rt 47\CADD-SURVEY\DRAWINGS\DGNS\100153-WO-16-PLAN1.shp



- NOTE:
- REFER TO DISTRICT 1 TYPICAL PAVEMENT MARKINGS (TC-13) FOR ADDITIONAL INFORMATION.
  - REFER TO DISTRICT 1 RAISED REFLECTIVE PAVEMENT MARKERS (TC-11) FOR ADDITIONAL INFORMATION.
  - REFER TO DISTRICT 1 RUMBLE STRIPES FOR CENTERLINE, NON-FREEWAY (BD-55) FOR ADDITIONAL INFORMATION.

<b>BAXTER &amp; WOODMAN</b> Consulting Engineers	DESIGNED - TLH	REVISED -
	DRAWN - UKB	REVISED - 10-22-12 IDOT REVIEW
	CHECKED - RWL	REVISED - 5-12-14 @ RUMBLE
	DATE - 12-17-10	FILE - 100153-WO-16-PLAN1.shp

STATE OF ILLINOIS  
DEPARTMENT OF TRANSPORTATION

**IL ROUTE 38**  
**WEST COUNTY LINE ROAD TO IL ROUTE 47**  
**ROADWAY & PAVEMENT MARKING PLAN**

F.A.P. RTE.	SECTION	COUNTY	TOTAL SHEETS	SHEET NO.
567	5R-RS-3	KANE	30	7
C-91-307-11		CONTRACT NO. 60N37		
FED. ROAD DIST. NO. 1 ILLINOIS FED. AID PROJECT				

SCALE: 1"=50'      STA. 210+00 TO STA. 239+00