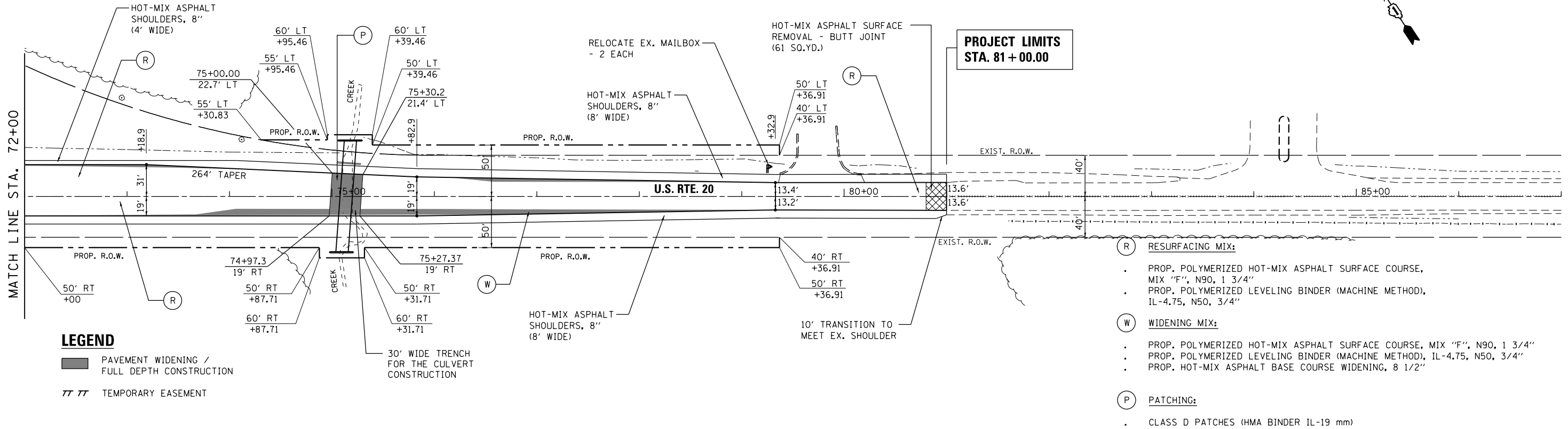


PLAN	SURVEYED	DATE
	PLOTTED	
	GRADES CHECKED	
	STRUCTURE NOTATIONS CHECKED	
	NO. _____	
	DATE _____	

PROFILE	SURVEYED	DATE
	PLOTTED	
	GRADES CHECKED	
	STRUCTURE NOTATIONS CHECKED	
	NO. _____	
	DATE _____	

G:\Projects\ILLINOIS Department of Transportation\PTB 162 - Item 7 - Various Various\Work Order No. 11\South US 20 et IL 47 & IL 72\Civil\Cadd Sheets\0160109-ah-tp-nr-f.dgn

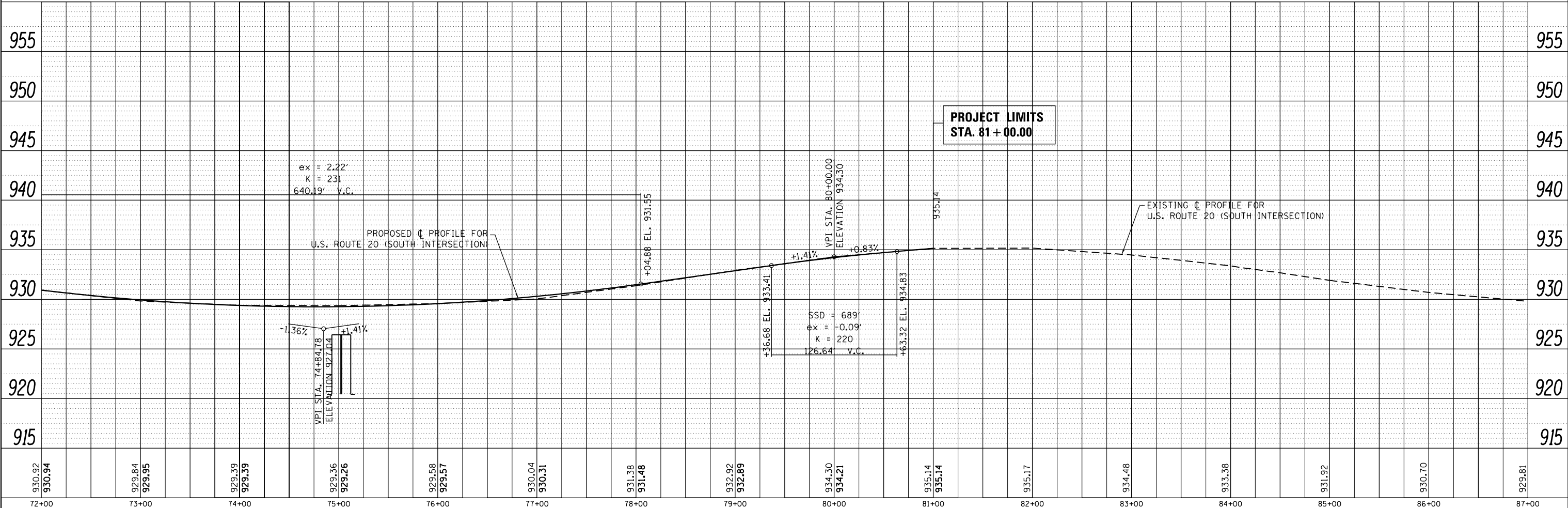


LEGEND

■ PAVEMENT WIDENING / FULL DEPTH CONSTRUCTION

--- TEMPORARY EASEMENT

- (R) **RESURFACING MIX:**
 - PROP. POLYMERIZED HOT-MIX ASPHALT SURFACE COURSE, MIX "F", N90, 1 3/4"
 - PROP. POLYMERIZED LEVELING BINDER (MACHINE METHOD), IL-4.75, N50, 3/4"
- (W) **WIDENING MIX:**
 - PROP. POLYMERIZED HOT-MIX ASPHALT SURFACE COURSE, MIX "F", N90, 1 3/4"
 - PROP. POLYMERIZED LEVELING BINDER (MACHINE METHOD), IL-4.75, N50, 3/4"
 - PROP. HOT-MIX ASPHALT BASE COURSE WIDENING, 8 1/2"
- (P) **PATCHING:**
 - CLASS D PATCHES (HMA BINDER IL-19 mm)



FILE NAME =	USER NAME = chrishfish	DESIGNED - MTM	REVISED -	STATE OF ILLINOIS DEPARTMENT OF TRANSPORTATION	ROADWAY PLAN AND PROFILE US RTE 20 (SOUTH JUNCTION)				F.A.P. RTE.	SECTION	COUNTY	TOTAL SHEETS	SHEET NO.
Default	PLOT SCALE = 100.0000' / in.	CHECKED - BA	REVISED -		345	106-S-N-2	KANE	147	29				
	PLOT DATE = 4/1/2014	DATE - 3/31/14	REVISED -		SCALE: 1"=50' SHEET 2 OF 4 SHEETS STA. 72+00 TO STA. 81+00				CONTRACT NO. 60T09				
					ILLINOIS FED. AID PROJECT								