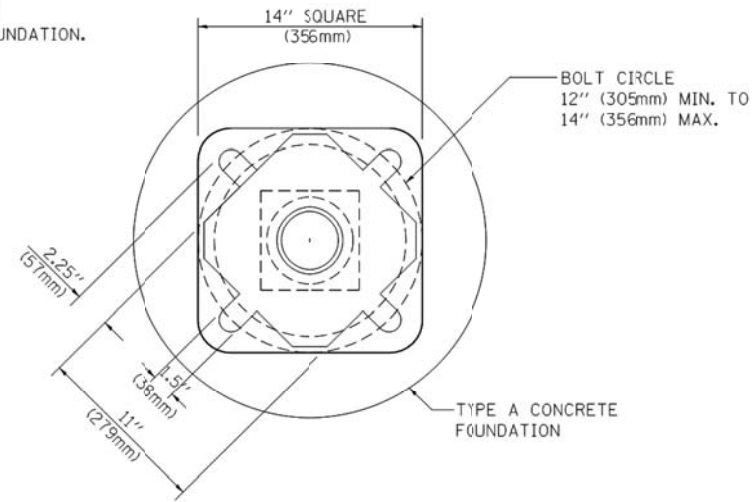
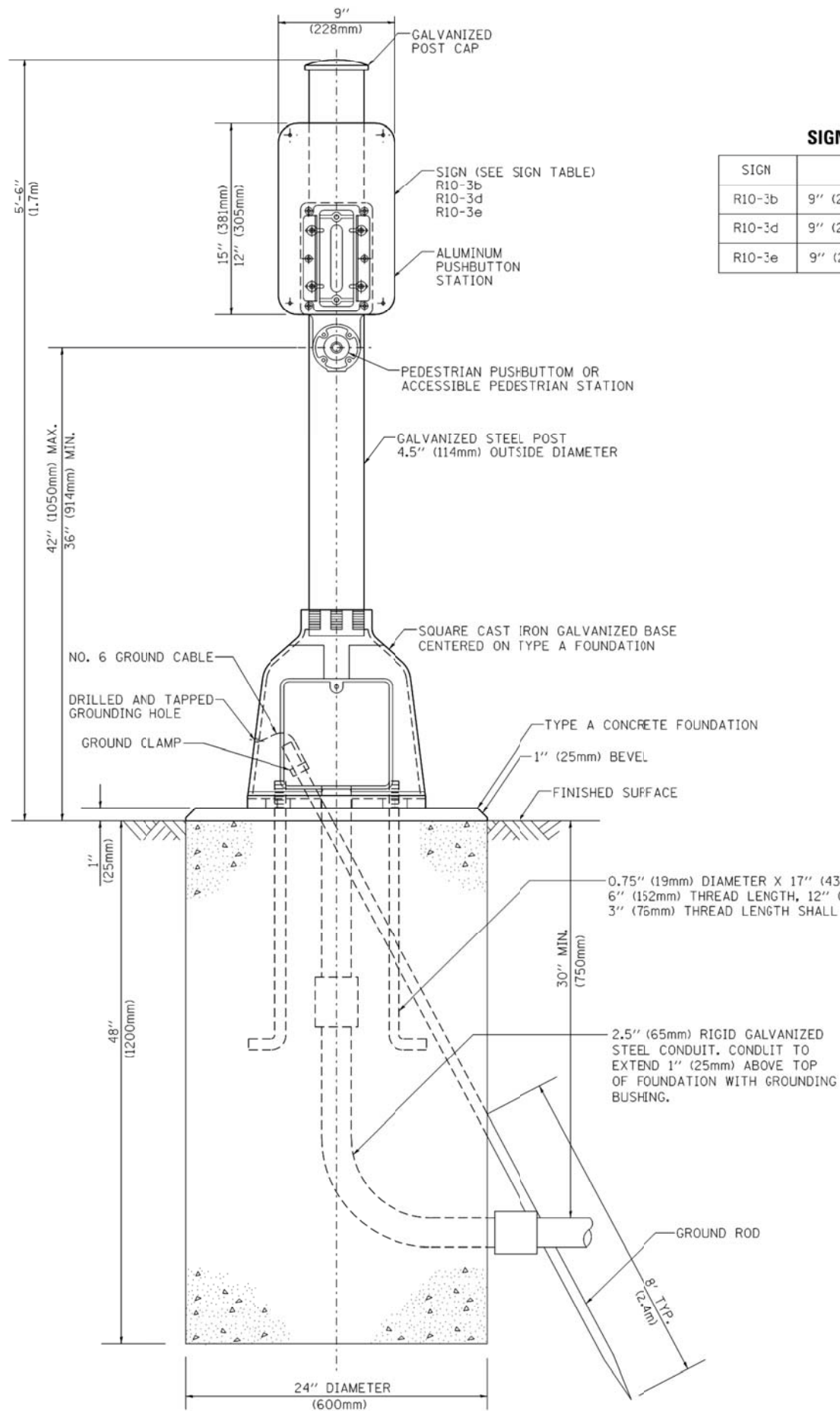


SIGN TABLE

SIGN	DIMENSIONS
R10-3b	9" (228mm) X 12" (305mm)
R10-3d	9" (228mm) X 12" (305mm)
R10-3e	9" (228mm) X 15" (381mm)



BOLT PATTERN
PEDESTRIAN PUSH BUTTON POST, TYPE A

FILE NAME = M:\p\2014\1481\2103 PTB 168-011 SINGH.IDDT VAR-VAR\WD14-001 Central Cook Co.LED4\Design\CAD\Sheet Files\IDDT DETAIL.7.dgn

USER NAME = .USERNAME.	DESIGNED - DW	REVISED -
	DRAWN - CC	REVISED -
PLOT SCALE = 20.0000 ft / in.	CHECKED - KMM	REVISED -
PLOT DATE = 5/13/2014	DATE -	REVISED -

STATE OF ILLINOIS
DEPARTMENT OF TRANSPORTATION

DISTRICT ONE - STANDARD TRAFFIC SIGNAL DESIGN DETAILS

SCALE: N.T.S. SHEET NO. 7 OF 7 SHEETS STA. TO STA.

F.A. RTE.	SECTION	COUNTY	TOTAL SHEETS	SHEET NO.
	2014-019TS	COOK	90	17
ILLINOIS			CONTRACT NO. 60Y05	