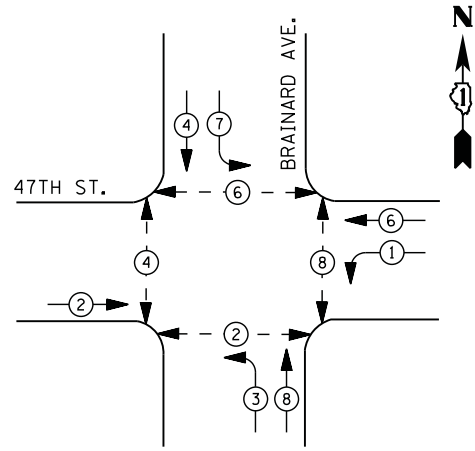


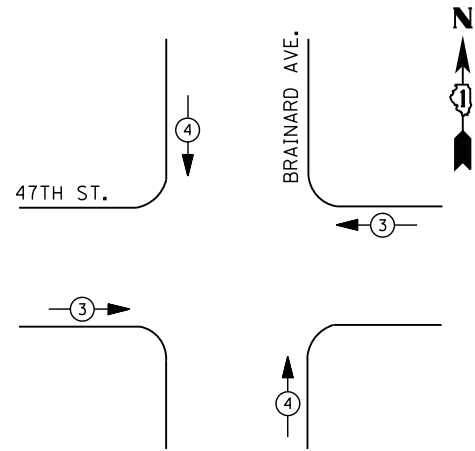


**CONTROLLER SEQUENCE**



- LEGEND**
- DUAL ENTRY PHASE
  - PEDESTRIAN PHASE
  - SINGLE ENTRY PHASE
  - OVERLAP
- NUMBER REFERS TO ASSOCIATED PHASE

**PHASE DESIGNATION DIAGRAM**



**EMERGENCY VEHICLE PREEMPTION SEQUENCE**

EMERGENCY VEHICLE PREEMPTORS		
EMERGENCY VEHICLE PREEMPTOR	3	4
MOVEMENT		

**I. D. O. T.  
TRAFFIC SIGNAL INSTALLATION  
ELECTRICAL SERVICE REQUIREMENTS**

TYPE	NO. LAMPS	WATTAGE		% OPERATIONS	TOTAL WATTAGE
		INCAND.	LED		
SIGNAL ( RED )	12	135	17	0.50	102
( YELLOW )	12	135	25	0.25	75
( GREEN )	12	135	15	0.25	45
ARROW	12	135	12	0.10	15
PED. SIGNAL	8	90	25	1.00	200
CONTROLLER	1	100	100	1.00	100
ILLUM. SIGN		252	25	0.05	
VIDEO SYSTEM		150	-	1.00	
FLASHER LED					
TOTAL =					537

ENERGY COSTS- BILLED TO: IDOT DISTRICT 1  
201 WEST CENTER COURT  
SCHAUMBURG, IL 60196-1096

ENERGY SUPPLY - CONTACT ILYAS MOHIUDDIN  
PHONE 708-235-2692  
COMMONWEALTH EDISON

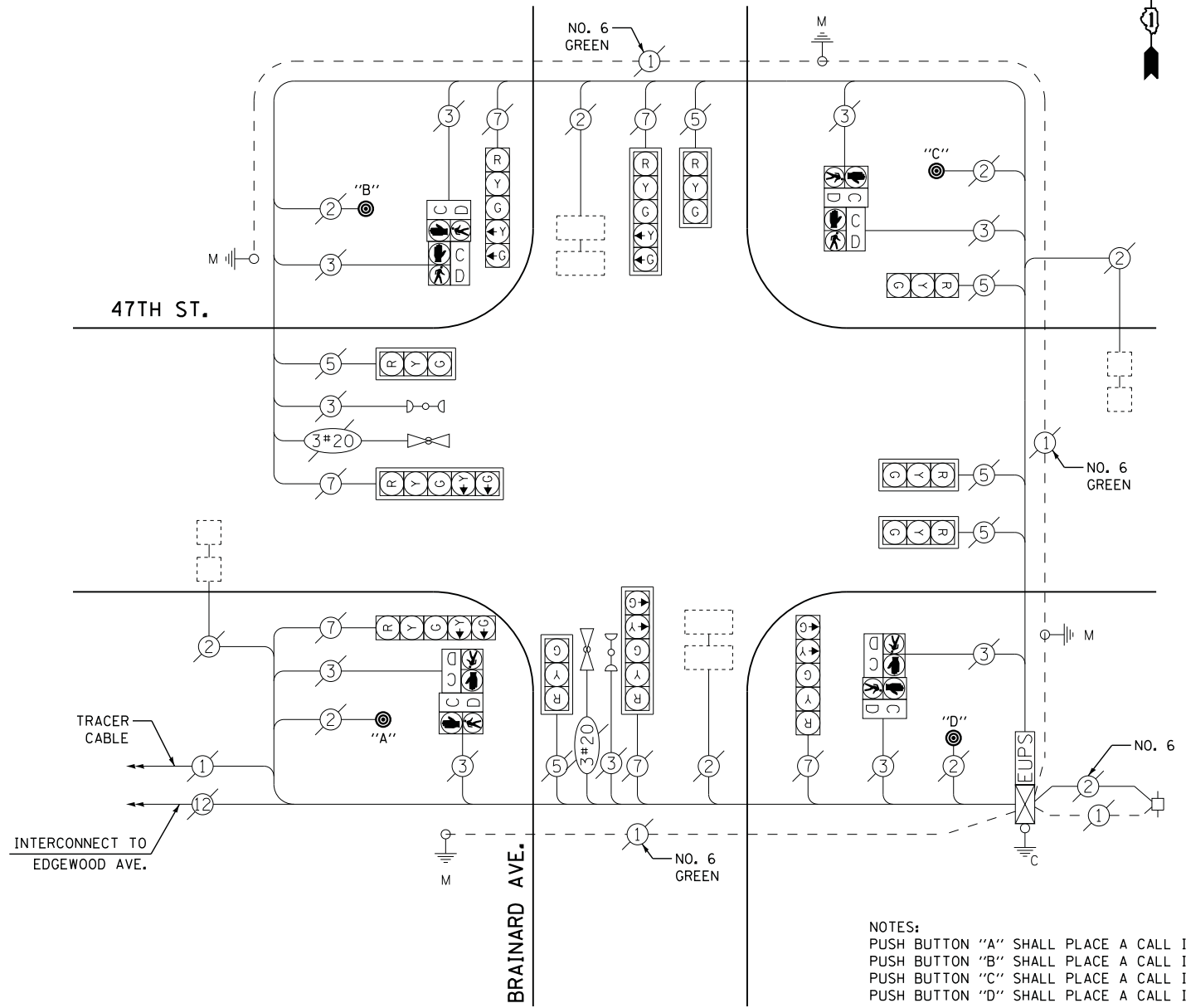
**SCHEDULE OF QUANTITIES**

QUANTITY	UNIT	ITEM
1	EACH	MAINTENANCE OF EXISTING TRAFFIC SIGNAL INSTALLATION
1	EACH	REMOVE EXISTING TRAFFIC SIGNAL EQUIPMENT
4	EACH	PEDESTRIAN PUSH-BUTTON, NON-LATCHING

**REMOVAL OF EXISTING TRAFFIC SIGNAL EQUIPMENT**

THE FOLLOWING ITEMS SHALL BE REMOVED BY THE CONTRACTOR AND SHALL BE DISPOSED OF BY THEM OUTSIDE THE RIGHT-OF-WAY AT THEIR EXPENSE. THE SALVAGE VALUE OF THE REMOVED EQUIPMENT SHALL BE REFLECTED IN THE CONTRACT BID PRICE.

4 EACH PEDESTRIAN PUSH-BUTTON



**CABLE PLAN**

NOTES:  
PUSH BUTTON "A" SHALL PLACE A CALL IN PHASES 2 AND 4  
PUSH BUTTON "B" SHALL PLACE A CALL IN PHASES 4 AND 6  
PUSH BUTTON "C" SHALL PLACE A CALL IN PHASES 6 AND 8  
PUSH BUTTON "D" SHALL PLACE A CALL IN PHASES 2 AND 8

FILE NAME = M:\p\03\1481\2183 PTB 168-011 SINGH IDOT VAR-VAR\WD14-001 Central Cook Co LED\4\Design\CAD\Sheet Files\13900 CAB.C006.dgn

USER NAME = .USERNAME.	DESIGNED - DW	REVISED -
	DRAWN - CC	REVISED -
PLOT SCALE = 20.000' / in.	CHECKED - KMM	REVISED -
PLOT DATE = 5/13/2014	DATE -	REVISED -

**STATE OF ILLINOIS  
DEPARTMENT OF TRANSPORTATION**

**47TH STREET AT BRAINARD AVENUE  
SCHEDULE OF QUANTITIES, CABLE PLAN, PHASE DESIGNATION DIAGRAM  
AND EMERGENCY VEHICLE PREEMPTION SEQUENCE**

SCALE: N.T.S. SHEET NO. OF SHEETS STA. TO STA.

F.A. RTE.	SECTION	COUNTY	TOTAL SHEETS	SHEET NO.
	2014-019TS	COOK	90	71
ILLINOIS			CONTRACT NO. 60Y05	

TS #13900  
LA GRANGE