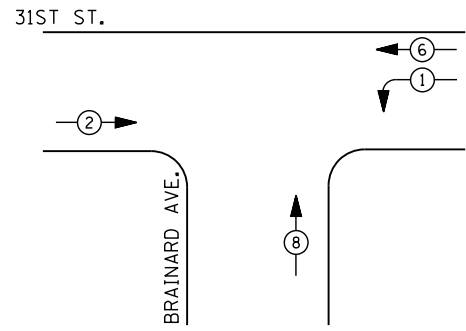
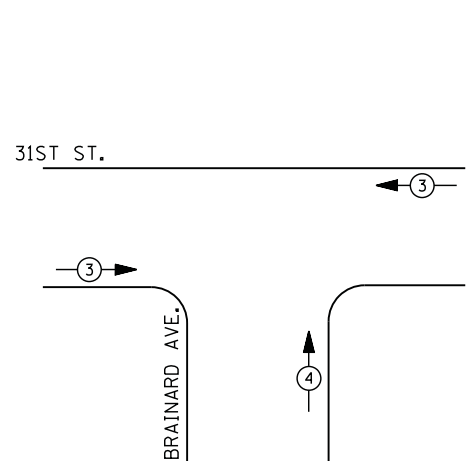




CONTROLLER SEQUENCE



PHASE DESIGNATION DIAGRAM



EMERGENCY VEHICLE PREEMPTION SEQUENCE

| EMERGENCY VEHICLE PREEMPTORS | | |
|------------------------------|---|---|
| EMERGENCY VEHICLE PREEMPTOR | 3 | 4 |
| MOVEMENT | ← | ↑ |

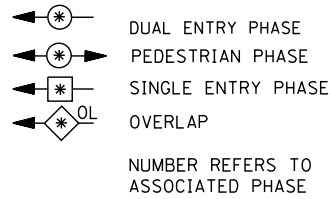
I. D. O. T. TRAFFIC SIGNAL INSTALLATION ELECTRICAL SERVICE REQUIREMENTS

| TYPE | NO. LAMPS | WATTAGE | | % OPERATIONS | TOTAL WATTAGE |
|----------------|-----------|---------|-----|--------------|---------------|
| | | INCAND. | LED | | |
| SIGNAL (RED) | 10 | 135 | 17 | 0.50 | 85 |
| (YELLOW) | 10 | 135 | 25 | 0.25 | 63 |
| (GREEN) | 10 | 135 | 15 | 0.25 | 38 |
| ARROW | 4 | 135 | 12 | 0.10 | 5 |
| PED. SIGNAL | 0 | 90 | 25 | 1.00 | 0 |
| CONTROLLER | 1 | 100 | 100 | 1.00 | 100 |
| ILLUM. SIGN | | 252 | 25 | 0.05 | |
| VIDEO SYSTEM | | 150 | - | 1.00 | |
| FLASHER LED | | | | | |
| TOTAL = | | | | | 291 |

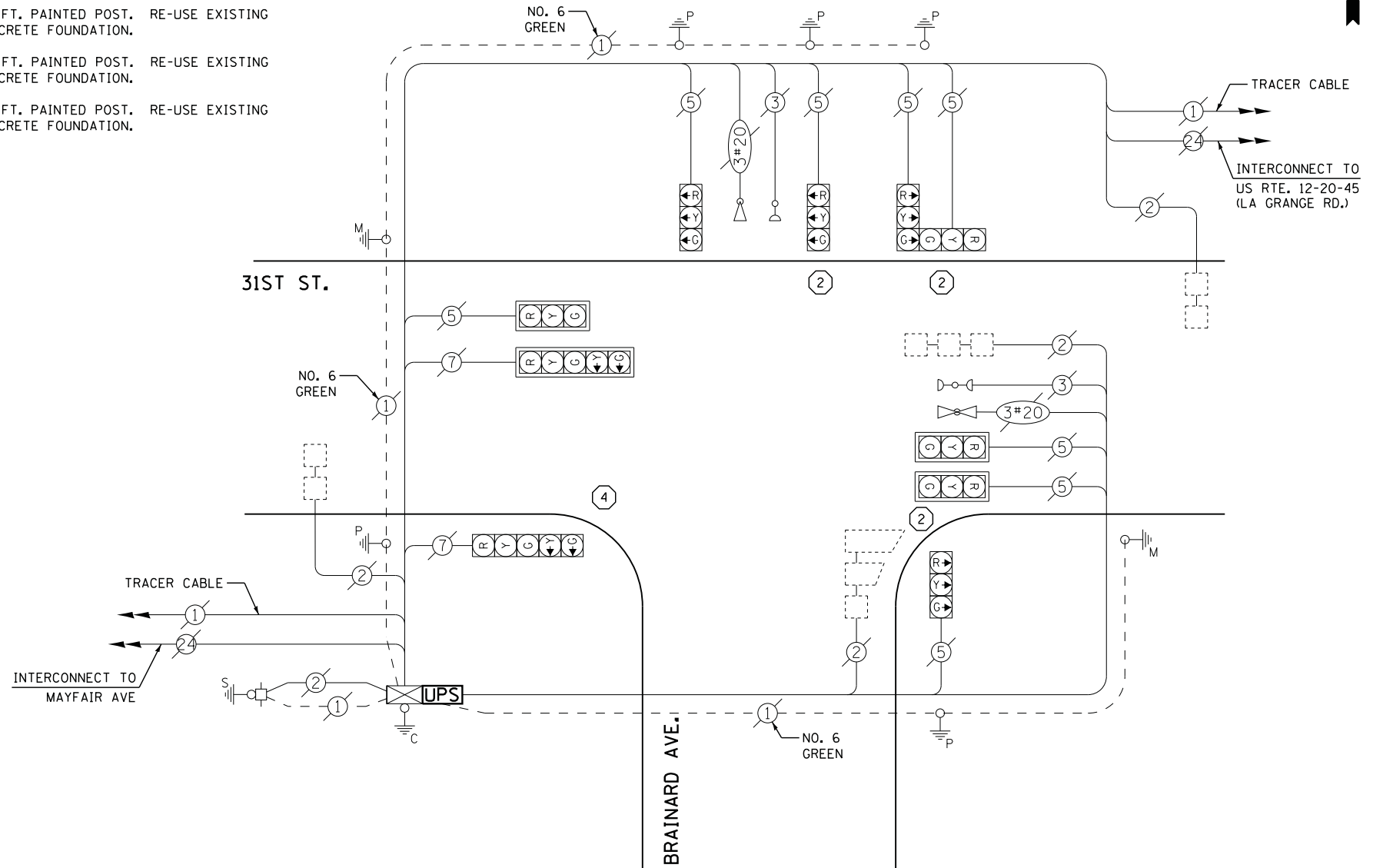
ENERGY COSTS- BILLED TO: IDOT DISTRICT 1
201 WEST CENTER COURT
SCHAUMBURG, IL 60196-1096

ENERGY SUPPLY - CONTACT JOE STACHO
PHONE 630-424-5704
COMMONWEALTH EDISON

LEGEND



- ① REPLACE 10 FT. PAINTED POST. RE-USE EXISTING TYPE A CONCRETE FOUNDATION.
- ② REPLACE 14 FT. PAINTED POST. RE-USE EXISTING TYPE A CONCRETE FOUNDATION.
- ③ REPLACE 15 FT. PAINTED POST. RE-USE EXISTING TYPE A CONCRETE FOUNDATION.
- ④ REPLACE 16 FT. PAINTED POST. RE-USE EXISTING TYPE A CONCRETE FOUNDATION.
- ⑤ REPLACE 18 FT. PAINTED POST. RE-USE EXISTING TYPE A CONCRETE FOUNDATION.



CABLE PLAN

SCHEDULE OF QUANTITIES

| QUANTITY | UNIT | ITEM |
|----------|------|---|
| 1 | EACH | MAINTENANCE OF EXISTING TRAFFIC SIGNAL INSTALLATION |
| 3 | EACH | TRAFFIC SIGNAL POST, GALVANIZED STEEL 14 FT. |
| 1 | EACH | TRAFFIC SIGNAL POST, GALVANIZED STEEL 16 FT. |
| 5 | EACH | RELOCATE EXISTING SIGNAL HEAD |
| 1 | EACH | MODIFY EXISTING CONTROLLER CABINET |
| 1 | EACH | REMOVE EXISTING TRAFFIC SIGNAL EQUIPMENT |
| 2 | EACH | REMOVE AND REPLACE ANCHOR BOLTS |
| 1 | EACH | UNINTERRUPTABLE POWER SUPPLY, SPECIAL |

REMOVAL OF EXISTING TRAFFIC SIGNAL EQUIPMENT

THE FOLLOWING ITEMS SHALL BE REMOVED BY THE CONTRACTOR AND SHALL BE DISPOSED OF BY THEM OUTSIDE THE RIGHT-OF-WAY AT THEIR EXPENSE. THE SALVAGE VALUE OF THE REMOVED EQUIPMENT SHALL BE REFLECTED IN THE CONTRACT BID PRICE.

- 4 EACH SIGNAL POST

STATE OF ILLINOIS
DEPARTMENT OF TRANSPORTATION

31ST STREET AT BRAINARD AVENUE
SCHEDULE OF QUANTITIES, CABLE PLAN, PHASE DESIGNATION DIAGRAM
AND EMERGENCY VEHICLE PREEMPTION SEQUENCE

| F.A. RTE. | SECTION | COUNTY | TOTAL SHEETS | SHEET NO. |
|--------------------|------------|--------|--------------|-----------|
| | 2014-019TS | COOK | 90 | 81 |
| CONTRACT NO. 60Y05 | | | | |

SCALE: N.T.S. SHEET NO. OF SHEETS STA. TO STA.

TS #13923
LA GRANGE PARK