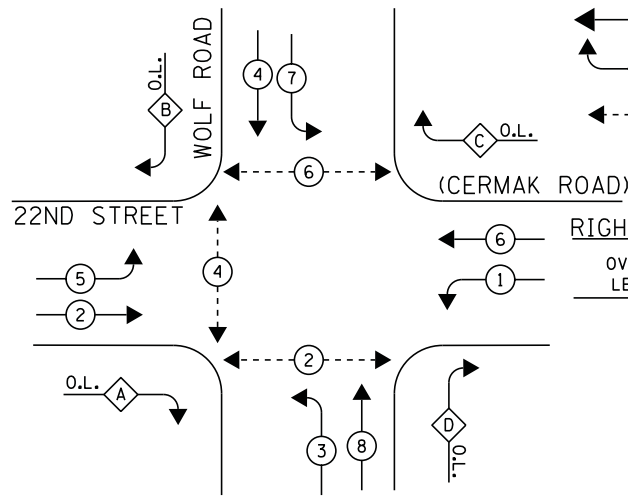


CONTROLLER SEQUENCE



LEGEND

- ◉ DUAL ENTRY PHASE
- ◻ SINGLE ENTRY PHASE
- ◊ O.L. OVERLAP
- ◉ PEDESTRIAN PHASE
- * NUMBER REFERS TO ASSOCIATED PHASE

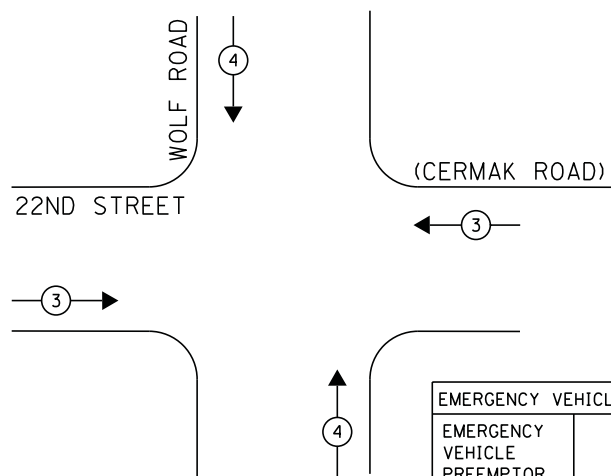
RIGHT TURN OVERLAP PHASE DESIGNATION

OVERLAP LETTER	PERMISSIVE PHASE	PROTECTED PHASE
A	= 2	+ 3
B	= 4	+ 5
C	= 6	+ 7
D	= 8	+ 1

PHASE DESIGNATION DIAGRAM

DUAL ENTRY-ALL LEGS
PROTECTED/PERMITTED LEFT TURN PHASES
WITH RIGHT TURN OVERLAPS

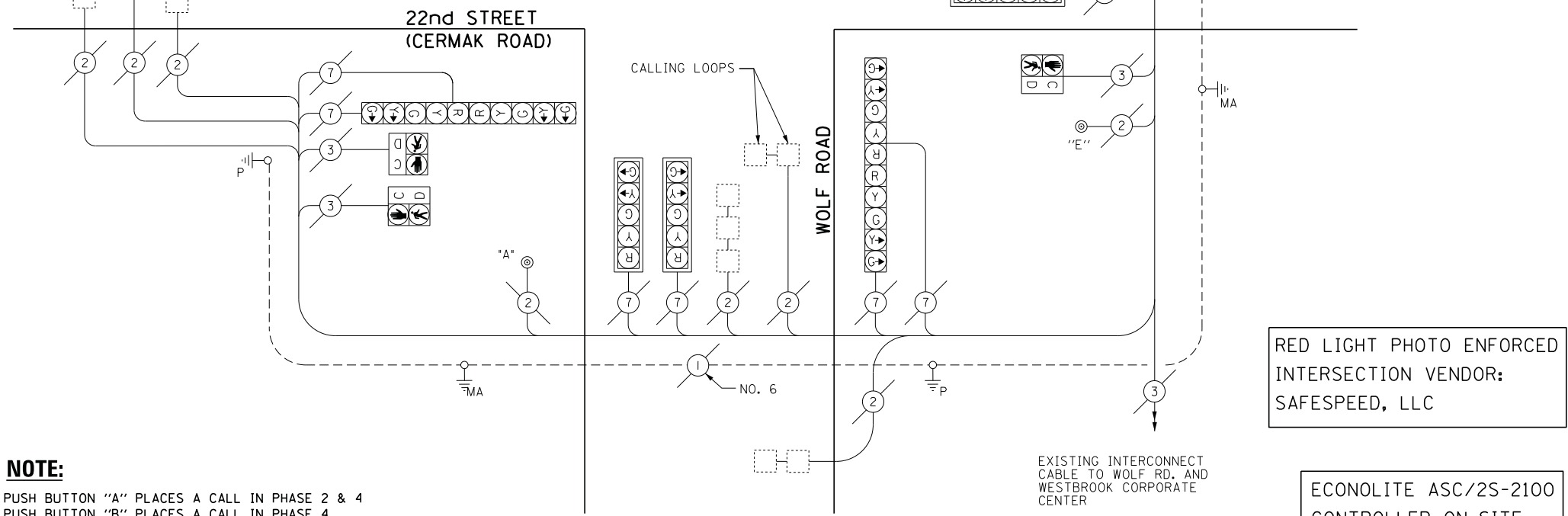
EMERGENCY VEHICLE PREEMPTION SEQUENCE



EMERGENCY VEHICLE PREEMPTOR		
EMERGENCY VEHICLE PREEMPTOR	3	4
MOVEMENT	↔	↕

SAMPLING (SYSTEM) DETECTORS

22nd STREET (CERMAK ROAD)



CABLE PLAN

NOTE:

- PUSH BUTTON "A" PLACES A CALL IN PHASE 2 & 4
- PUSH BUTTON "B" PLACES A CALL IN PHASE 4
- PUSH BUTTON "C" PLACES A CALL IN PHASE 6
- PUSH BUTTON "D" PLACES A CALL IN PHASE 6
- PUSH BUTTON "E" PLACES A CALL IN PHASE 2

SCHEDULE OF QUANTITIES

QUANTITY	UNIT	ITEM
1	EACH	MAINTENANCE OF EXISTING TRAFFIC SIGNAL INSTALLATION
1	EACH	MODIFY EXISTING CONTROLLER CABINET
1	EACH	UNINTERRUPTABLE POWER SUPPLY, SPECIAL

RED LIGHT PHOTO ENFORCED INTERSECTION VENDOR: SAFESPEED, LLC

ECONOLITE ASC/2S-2100 CONTROLLER ON-SITE

TRAFFIC SIGNAL EQUIPMENT SHALL BE ECONOLITE TO MATCH THE ADJACENT EXISTING SYSTEM

I.D.O.T. TRAFFIC SIGNAL INSTALLATION ELECTRICAL SERVICE REQUIREMENTS					TOTAL WATTAGE
TYPE	NO LAMPS	WATTAGE		%OPERATION	
		INCAND.	LED		
SIGNAL (RED)	16		17	0.5	136
(YELLOW)	16		25	0.25	100
(GREEN)	16		15	0.25	60
ARROW	32		12	0.10	38.4
PED. SIGNAL	6		25	1.00	150
CONTROLLER	1		100	1.00	100
ILLUM. SIGN			25	0.05	-
VIDEO SYSTEM			-	1.00	-
FLASHER			-	-	-
ENERGY COSTS TO:					TOTAL = 584.4

ILLINOIS DEPARTMENT OF TRANSPORTATION
201 WEST CENTER COURT
SCHAUMBURG, ILLINOIS 60196-1096
ENERGY SUPPLY CONTACT: JOE STACHO
PHONE: (630) 424-5704
COMPANY: COMMONWEALTH EDISON

FILE NAME =	USER NAME = .USER_	DESIGNED - M.A./V.O.	REVISED -
J:\13155\Work Order 2\DCN\CADD Sheets\060718-sht-ts-13.4845.dgn		DRAWN - Y.J./E.C.	REVISED -
		CHECKED - I.Y.	REVISED -
		DATE - 5/16/2014	REVISED -

STATE OF ILLINOIS
DEPARTMENT OF TRANSPORTATION

SCHEDULE OF QUANTITIES, CABLE PLAN, PHASE DESIGNATION DIAGRAM, AND EMERGENCY VEHICLE PREEMPTION SEQUENCE			
22nd STREET (CERMAK ROAD) AT WOLF ROAD			
SCALE: NTS	SHEET NO. 1 OF 1 SHEETS	STA. N/A	TO STA. N/A

F.A.P. RTE.	SECTION	COUNTY	TOTAL SHEETS	SHEET NO.
	2014-0321S	COOK	68	29
CONTRACT NO. 60Y18				
ILLINOIS FED. AID PROJECT				

TS# 4845
WESTCHESTER