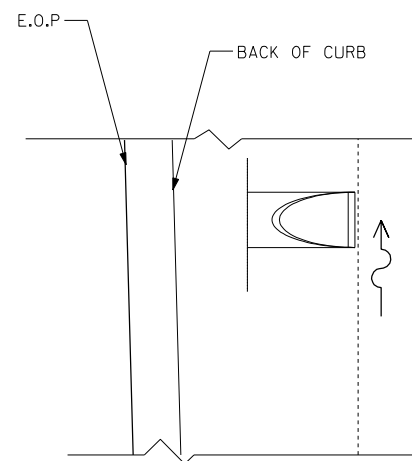
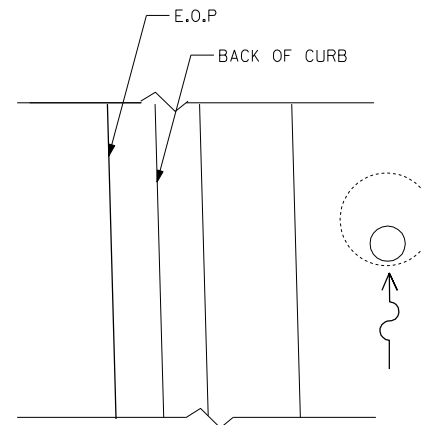


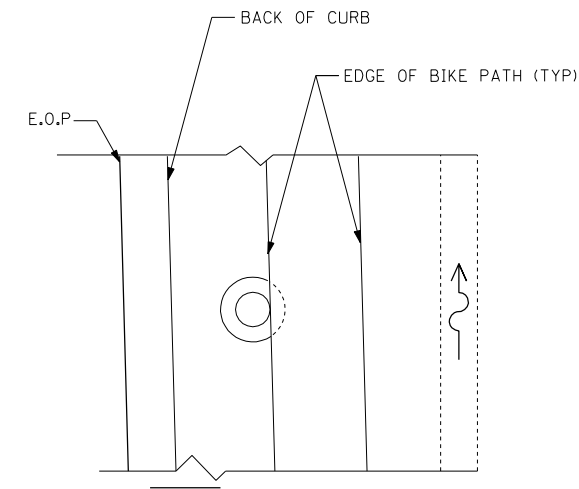
PLAN VIEW
MANHOLE WITH FLAT SLAB TOP IN PARKWAY



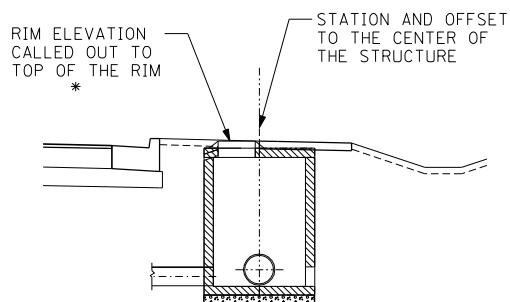
PLAN VIEW
FLARED END SECTION



PLAN VIEW
INLET AND CATCH BASIN IN DITCH

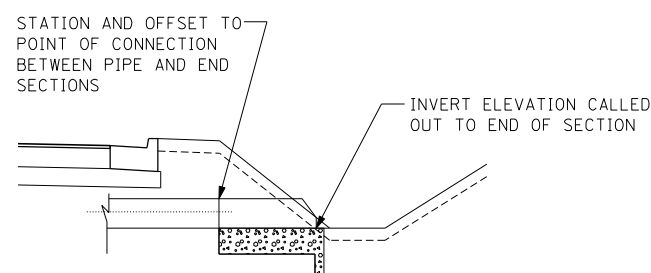


PLAN VIEW
MANHOLE WITH CONE (TAPERED) SECTION IN PARKWAY

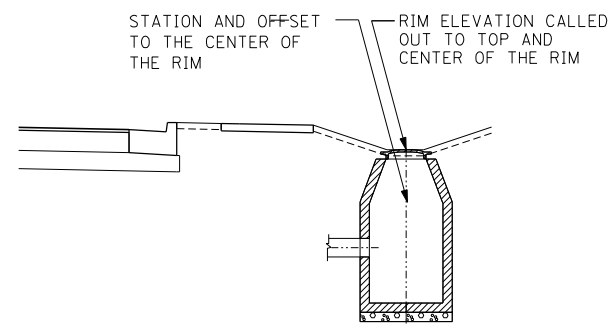


* FRAME & LIDS TO BE LOCATED OUTSIDE THE BIKE PATH/SIDE WALK

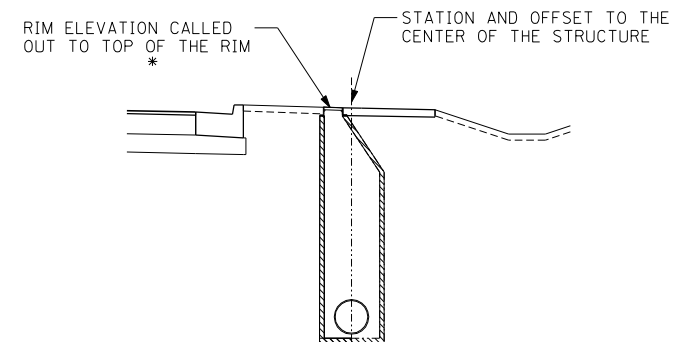
SECTION
MANHOLE WITH FLAT SLAB TOP IN PARKWAY



ELEVATION
FLARED END SECTION

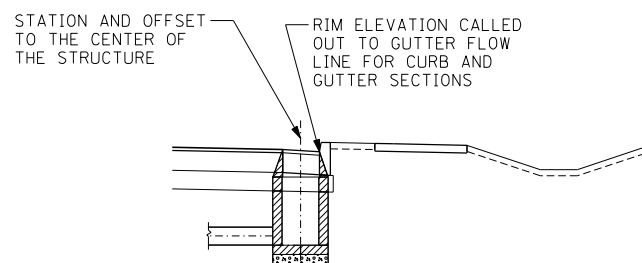


ELEVATION
INLET AND CATCH BASIN IN DITCH OR SWALE

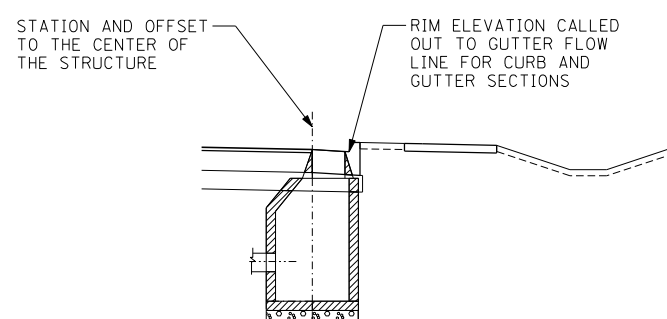


* FRAME & LIDS TO BE LOCATED OUTSIDE THE BIKE PATH/SIDE WALK

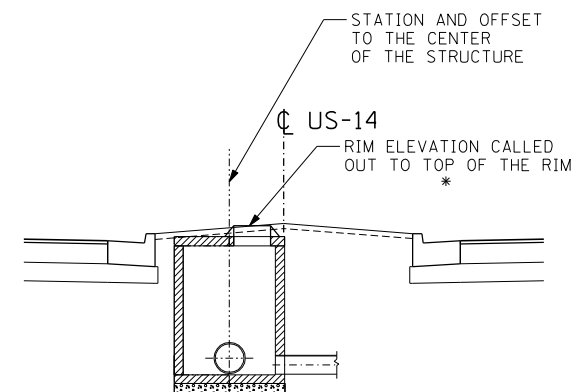
SECTION
MANHOLE WITH CONE (TAPERED) SECTION IN PARKWAY



ELEVATION
INLET WITH CURB AND GUTTER



ELEVATION
CATCH BASIN WITH CURB AND GUTTER
(CONE AND FLAT SLAB TOP SECTIONS)



* FRAME & LIDS TO BE ORIENTED CLOSER TO THE US-14 ON THE STRUCTURE

ELEVATION
CATCH BASIN AND MANHOLE WITH MEDIAN

ATT:008RJ.DGN
 11-06-2013, 16:20:46
 HECHTBR
 T:\DOCUMENT\1934\9801\CIVIL\DCN\DRD000.IP.DGN

FILE NAME =	USER NAME = HECHTBR	DESIGNED -	REVISED -
*FILEL#		DRAWN - MRK	REVISED -
exp U.S. Services Inc. CHICAGO, IL	PLOT SCALE = *SCALE*	CHECKED - TKL	REVISED -
BUILDINGS-EARTH & ENVIRONMENT-ENERGY INDUSTRIAL-INFRASTRUCTURE-SUSTAINABILITY	PLOT DATE = *DATE*	DATE - 11/01/13	REVISED -

STATE OF ILLINOIS
DEPARTMENT OF TRANSPORTATION
 U.S. ROUTE 14

DRAINAGE DETAILS - I			
DRAINAGE STRUCTURE PLACEMENT			
SCALE: N.T.S.	SHEET NO.	OF SHEETS	STA. TO STA.

F.A.P. RTE.	SECTION	COUNTY	TOTAL SHEETS	SHEET NO.
305	27R-2	MCHENRY	673	281
CONTRACT NO. 62268				
FED. ROAD DIST. NO. 1 ILLINOIS FED. AID PROJECT				