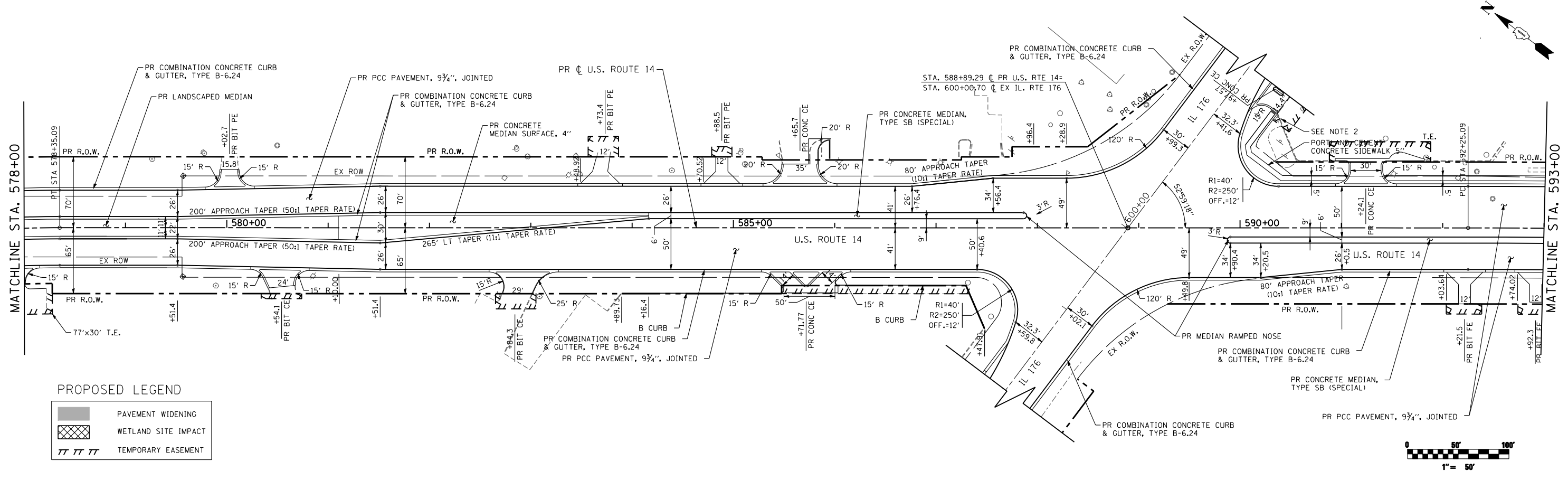


- NOTES:
1. AGGREGATE SHOULDER REMOVAL TO BE PAID FOR AS EARTHWORK EXCAVATION.
 2. LIGHT POLES TO REMAIN AND BE PROTECTED.



FILE NAME = S:\1606\CADD Sheets\0162517-sht-plan.dgn	USER NAME = _USERNAME_	DESIGNED - JPW	REVISED -	STATE OF ILLINOIS DEPARTMENT OF TRANSPORTATION	PLAN US ROUTE 14	F.A.P. RTE. 305	SECTION 27R-3	COUNTY MCHENRY	TOTAL SHEETS 431	SHEET NO. 38		
PLOT SCALE = 100.0000' / IN.	CHECKED - MGZ	REVISED -	SCALE: 1"=50'			SHEET NO. 38 OF 431 SHEETS	STA. 578+00.00 TO STA. 593+00.00	CONTRACT NO. 62517		ILLINOIS FED. AID PROJECT		
PLOT DATE = 10/15/2013	DATE - 10/15/2013	REVISED -										