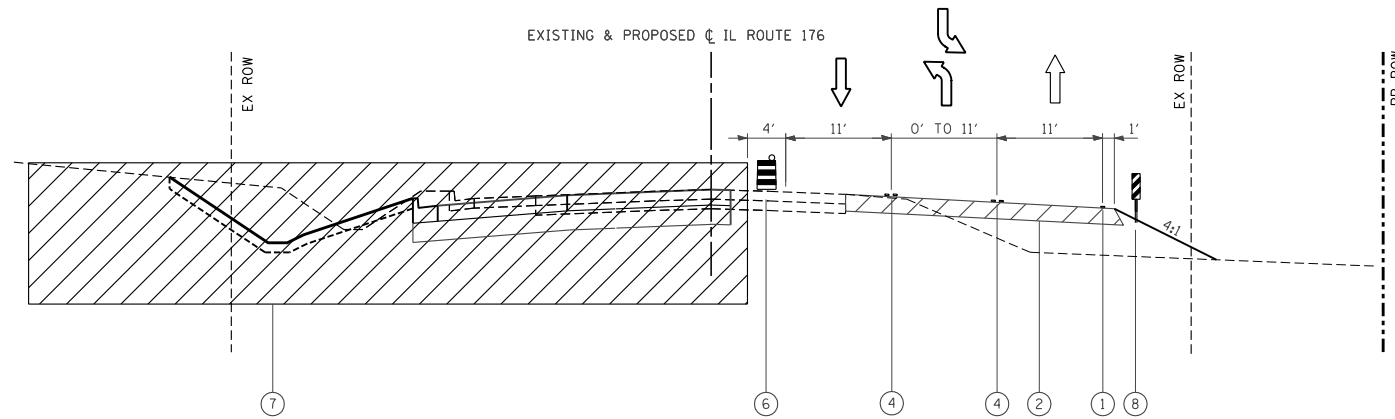
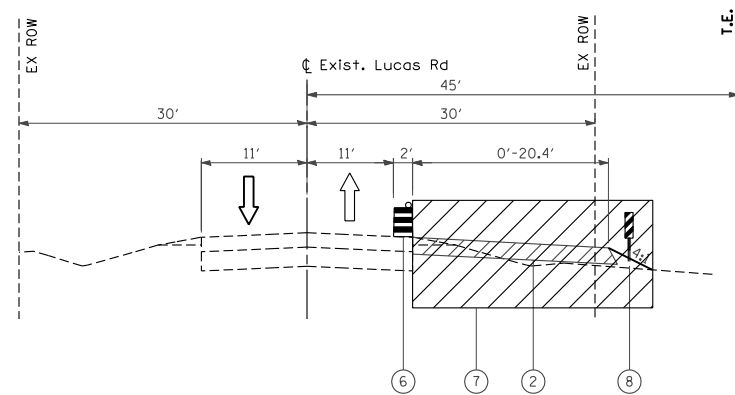


STAGE 1
 MAINTENANCE OF TRAFFIC: RIDGEFIELD ROAD SOUTH
 STA. 904+25 TO STA. 907+07.80



STAGE 1
 MAINTENANCE OF TRAFFIC: IL ROUTE 176
 STA. 590+23.80 TO 608+30.50



STAGE 1B
 MAINTENANCE OF TRAFFIC: LUCAS RD
 STA. 3+27.60 TO 9+38.08

LEGEND

- ① WET REFLECTIVE TEMPORARY TAPE TYPE III, 4 INCH (WHITE)
- ② TEMPORARY PAVEMENT
- ③ WET REFLECTIVE TEMPORARY TAPE TYPE III, 6 INCH (WHITE)
- ④ WET REFLECTIVE TEMPORARY TAPE TYPE III, 4 INCH (DOUBLE YELLOW)
- ⑤ WET REFLECTIVE TEMPORARY TAPE TYPE III, 4 INCH (YELLOW)
- ⑥ DRUM WITH STEADY BURNING LIGHT
- ⑦ WORK ZONE
- ⑧ VERTICAL PANEL
- ⑨ TOPSOIL EXCAVATION AND PLACEMENT (6")
- ⑩ TEMPORARY EROSION CONTROL SEEDING
- ⑪ TRAFFIC DIRECTION
- ⑫ SEEDING, CLASS 2A
- ⑬ SODDING, SALT TOLERANT

NOTES

- 1. ALL TEMPORARY PAVEMENT MARKINGS IN STAGE 1 SHALL BE PAINTED. ALL TEMPORARY PAVEMENT MARKINGS OF SUB-STAGE 1 IN PLACE FOR WINTER SHUT DOWN SHALL BE PAINTED.
- 2. SEE SHEET 12 FOR TEMPORARY PAVEMENT STRUCTURE DETAIL.

FILE NAME =	USER NAME = .USERNAME.	DESIGNED - JW	REVISED -
S:\1606\CADD Sheets\0162517-sht-typical-MOT.dgn		DRAWN - JW	REVISED -
PLOT SCALE = 20.00000' / IN.		CHECKED - MGZ	REVISED -
PLOT DATE = 10/14/2013		DATE - 10/15/2013	REVISED -

**STATE OF ILLINOIS
 DEPARTMENT OF TRANSPORTATION**

**MAINTENANCE OF TRAFFIC
 TYPICAL SECTIONS STAGE 1**

SCALE: NTS SHEET NO. 67 OF 431 SHEETS STA. TO STA.

F.A. RTE.	SECTION	COUNTY	TOTAL SHEETS	SHEET NO.
305	27R-3	MCHENRY	431	67
				CONTRACT NO. 62517
ILLINOIS FED. AID PROJECT				