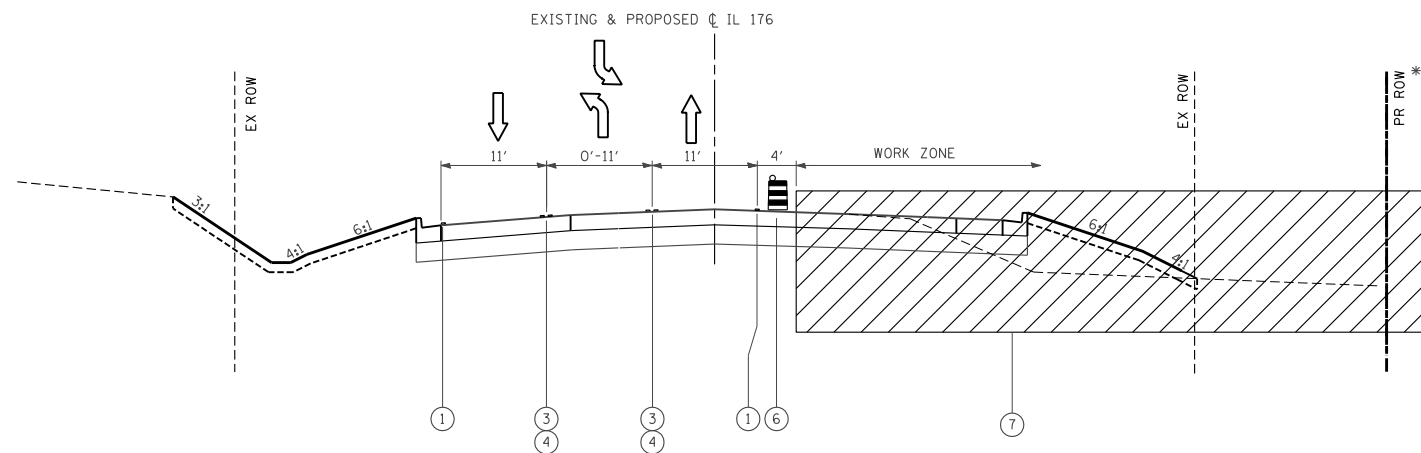


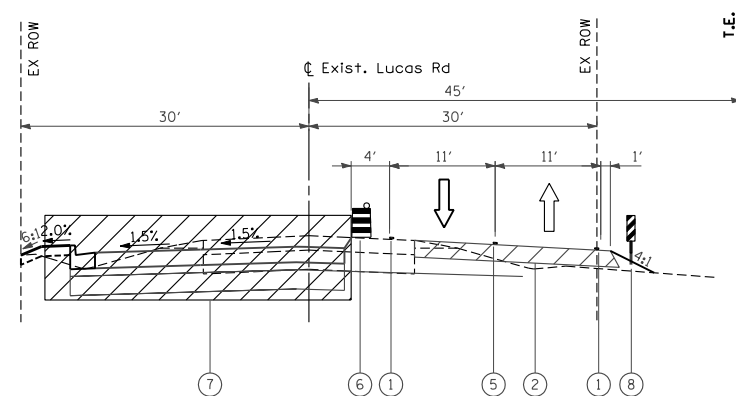
STAGE 2
 MAINTENANCE OF TRAFFIC: U.S. ROUTE 14
 STA. 493+00 TO STA. 601+10

- LEGEND**
- ① WET REFLECTIVE TEMPORARY TAPE TYPE III, 4 INCH (WHITE)
 - ② TEMPORARY PAVEMENT
 - ③ WET REFLECTIVE TEMPORARY TAPE TYPE III, 6 INCH (WHITE)
 - ④ WET REFLECTIVE TEMPORARY TAPE TYPE III, 4 INCH (DOUBLE YELLOW)
 - ⑤ WET REFLECTIVE TEMPORARY TAPE TYPE III, 4 INCH (YELLOW)
 - ⑥ DRUM WITH STEADY BURNING LIGHT
 - ⑦ WORK ZONE
 - ⑧ VERTICAL PANEL
 - ⑨ TOPSOIL EXCAVATION AND PLACEMENT (6")
 - ⑩ TEMPORARY EROSION CONTROL SEEDING
 - ⑪ TRAFFIC DIRECTION
 - ⑫ SEEDING, CLASS 2A
 - ⑬ SODDING, SALT TOLERANT

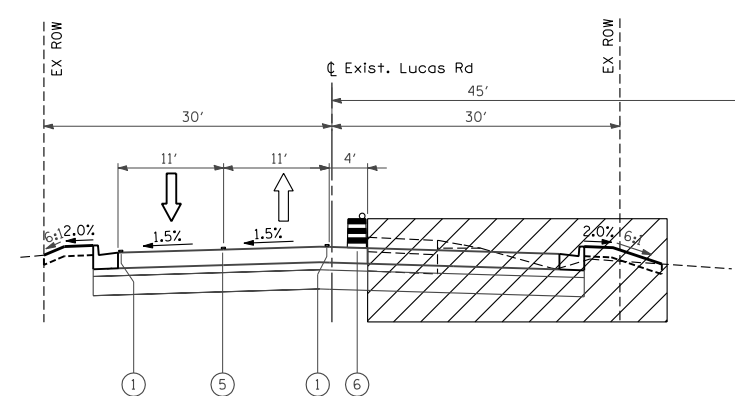
* FROM STA. 520+16.26 TO STA. 533+50.44
 ** FROM STA. 554+42.21 TO STA. 560+51.51



STAGE 2
 MAINTENANCE OF TRAFFIC: IL ROUTE 176
 STA. 590+23.80 TO 608+50.50



STAGE 2
 MAINTENANCE OF TRAFFIC: LUCAS RD
 STA. 3+27.60 TO 9+38.08



STAGE 2A
 MAINTENANCE OF TRAFFIC: LUCAS RD
 STA. 3+27.60 TO 9+38.08

FILE NAME =	USER NAME = .USERNAME.	DESIGNED - JW	REVISED -
S:\1606\CADD Sheets\0162517-sht-typical-MOT.dgn		DRAWN - JW	REVISED -
PLOT SCALE = 20.00000' / IN.		CHECKED - MGZ	REVISED -
PLOT DATE = 10/9/2013		DATE - 10/15/2013	REVISED -

**STATE OF ILLINOIS
 DEPARTMENT OF TRANSPORTATION**

**MAINTENANCE OF TRAFFIC
 TYPICAL SECTIONS STAGE 2**

SCALE: NTS SHEET NO. 81 OF 431 SHEETS STA. TO STA.

F.A. RTE.	SECTION	COUNTY	TOTAL SHEETS	SHEET NO.
305	27R-3	MCHENRY	431	81
CONTRACT NO. 62517				
ILLINOIS FED. AID PROJECT				