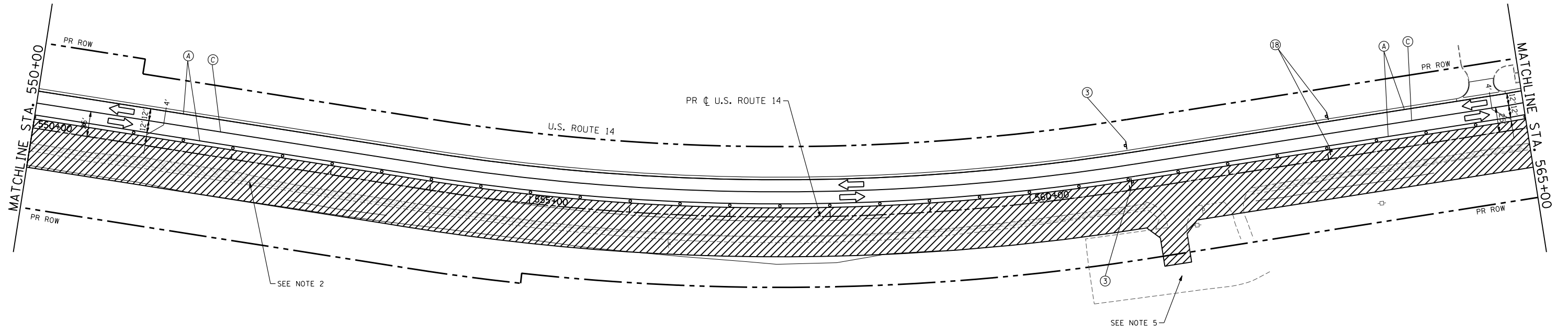
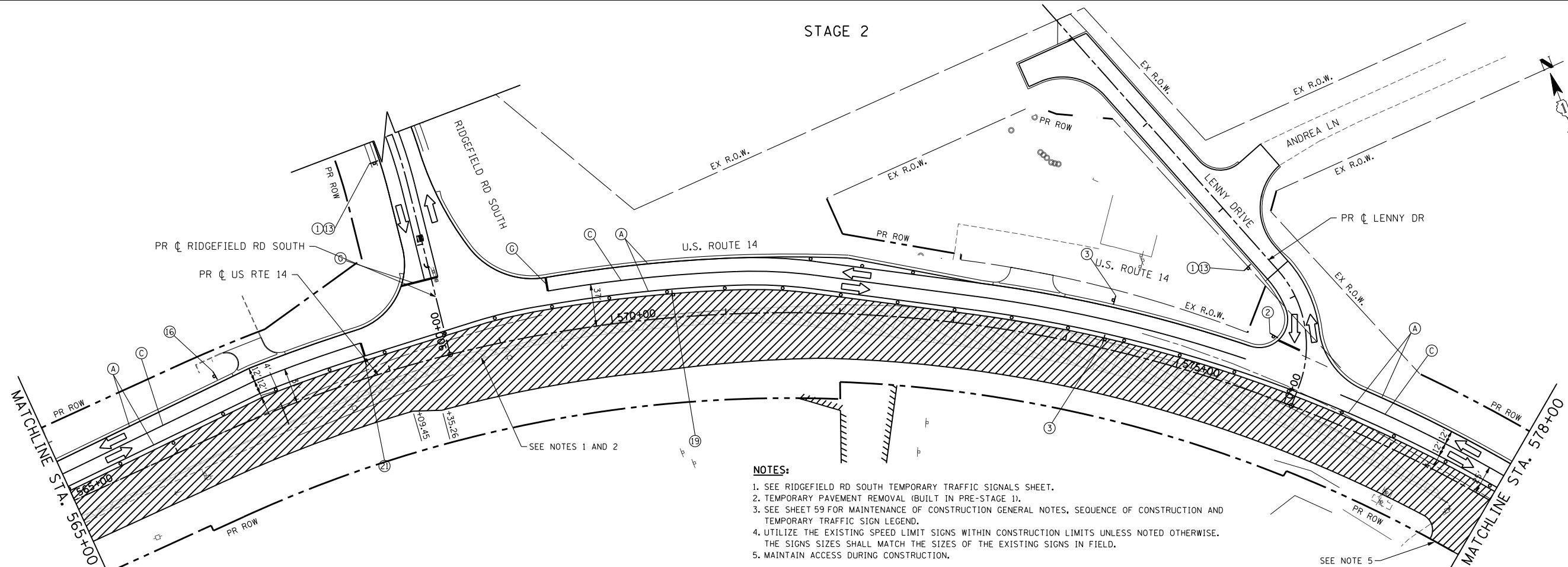


STAGE 2

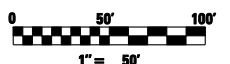


STAGE 2



NOTES:

1. SEE RIDGEFIELD RD SOUTH TEMPORARY TRAFFIC SIGNALS SHEET.
2. TEMPORARY PAVEMENT REMOVAL (BUILT IN PRE-STAGE 1).
3. SEE SHEET 59 FOR MAINTENANCE OF CONSTRUCTION GENERAL NOTES, SEQUENCE OF CONSTRUCTION AND TEMPORARY TRAFFIC SIGN LEGEND.
4. UTILIZE THE EXISTING SPEED LIMIT SIGNS WITHIN CONSTRUCTION LIMITS UNLESS NOTED OTHERWISE. THE SIGNS SIZES SHALL MATCH THE SIZES OF THE EXISTING SIGNS IN FIELD.
5. MAINTAIN ACCESS DURING CONSTRUCTION.



FILE NAME =	USER NAME = .USERNAME.	DESIGNED - JPW	REVISED -
si:\1606\cadd sheets\162517-sht-staging2.dgn		DRAWN - JPW	REVISED -
	PLOT SCALE = 100.0000' / IN.	CHECKED - MGZ	REVISED -
	PLOT DATE = 10/9/2013	DATE - 10/15/2013	REVISED -

**STATE OF ILLINOIS
DEPARTMENT OF TRANSPORTATION**

**MAINTENANCE OF TRAFFIC PLAN
US ROUTE 14 - STAGE 2**

SCALE: 1"=50' SHEET NO. 84 OF 431 SHEETS STA. 550+00 TO STA. 578+00

F.A. RTE.	SECTION	COUNTY	TOTAL SHEETS	SHEET NO.
305	27R-3	MCHENRY	431	84
CONTRACT NO. 62517			ILLINOIS FED. AID PROJECT	