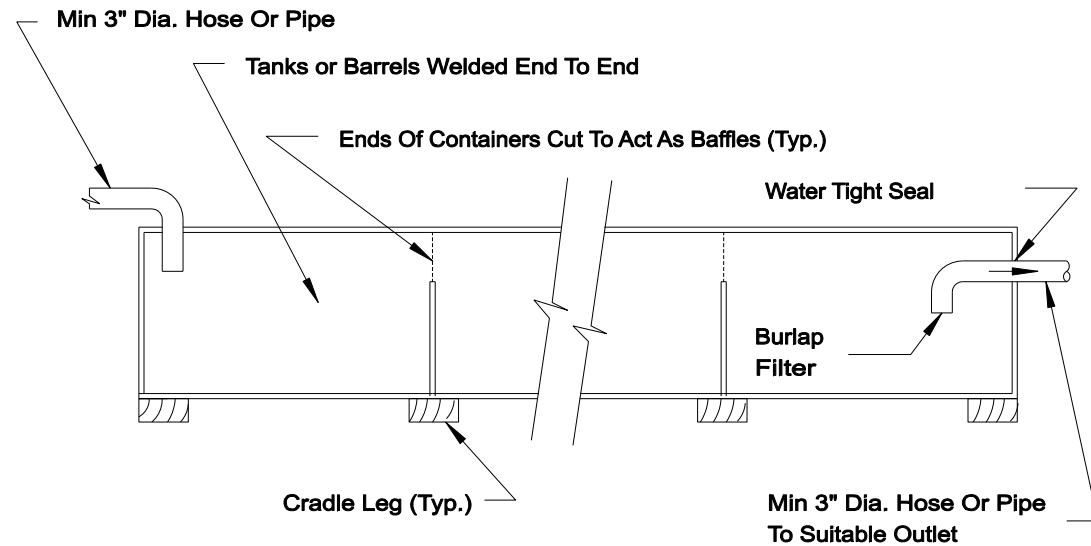
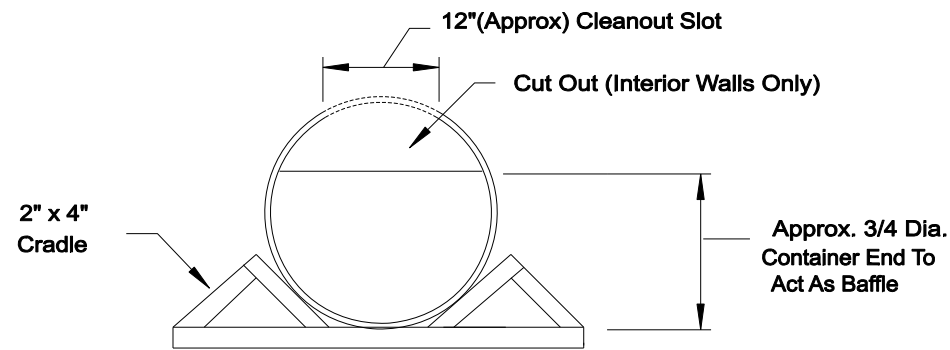


## PORTABLE SEDIMENT TANK PLAN



**SECTION ON CENTERLINE**



**TYPICAL SECTION A-A**

**NOTES:**

1. Clean out the sediment tank when one-third filled with sediment.
2. Steel drums are used as an example due to their ready availability. Any tanks may be used, providing that the volume requirements are met.
3. All sediment collected in the tank shall be disposed of in a sediment trapping device or as approved by the engineer/inspector.

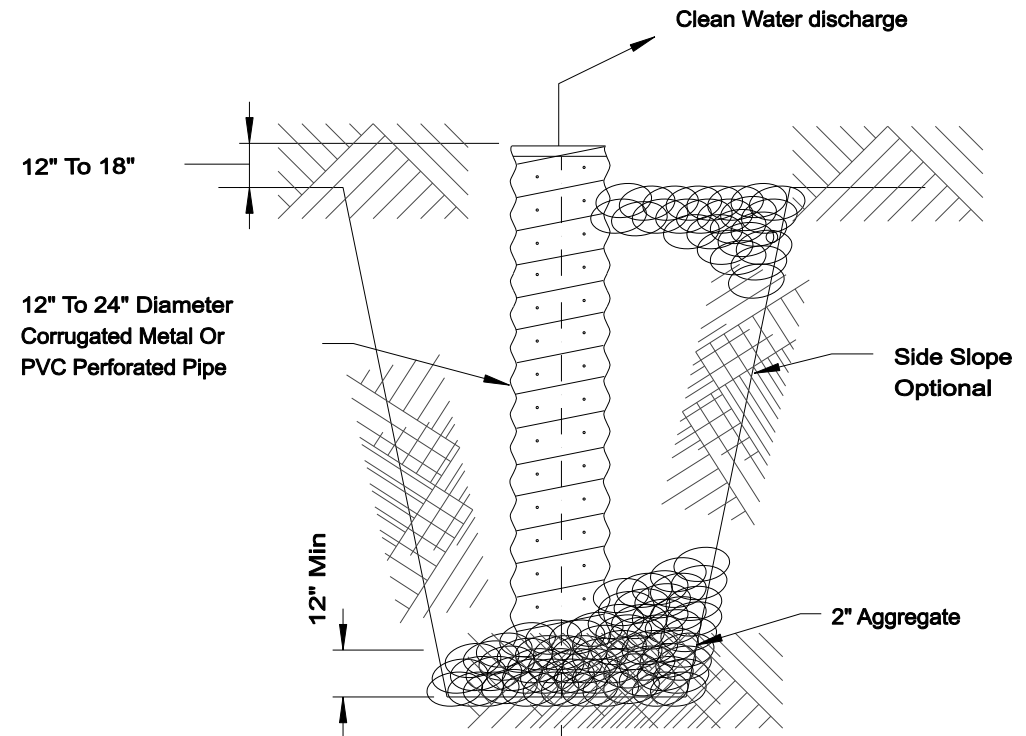
Volume required in tank: \_\_\_\_\_ cubic feet.

REFERENCE	
Project	_____
Designed	_____ Date _____
Checked	_____ Date _____
Approved	_____ Date _____



STANDARD DWG. NO.
IL-595
SHEET 1 OF 1
DATE 3-3-95

## SUMP PIT PLAN



**SECTION**

**NOTES:**

1. Pit dimensions are optional.
2. The standpipe will be constructed by perforating a 12"-24" diameter corrugated metal or PVC pipe.
3. A base of 2" aggregate will be placed in the pit to a minimum depth of 12". After installing the standpipe, the pit surrounding the standpipe will then be backfilled with 2" aggregate.
4. The standpipe will extend 12" to 18" above the lip of the pit.
5. If discharge will be pumped directly to a storm drainage system, the standpipe will be wrapped with filter fabric before installation.
6. If desired, 1/4"-1/2" hardware cloth may be placed around the standpipe prior to attaching the filter fabric. This will increase the rate of water seepage into the pipe.

REFERENCE	
Project	_____
Designed	_____ Date _____
Checked	_____ Date _____
Approved	_____ Date _____



STANDARD DWG. NO.
IL-650
SHEET 1 OF 1
DATE 8-11-94

FILE NAME =	USER NAME = .USERNAME.	DESIGNED - JPW	REVISED -
S:\1606\CADD Sheets\0162517-sht-details.dgn		DRAWN - JPW	REVISED -
		CHECKED - MGZ	REVISED -
		DATE - 10/15/2013	REVISED -

**STATE OF ILLINOIS  
DEPARTMENT OF TRANSPORTATION**

**EROSION AND SEDIMENT CONTROL DETAIL SHEET II**

SCALE: NONE      SHEET NO. 248 OF 431 SHEETS      STA. \_\_\_\_\_ TO STA. \_\_\_\_\_

F.A. RTE.	SECTION	COUNTY	TOTAL SHEETS	SHEET NO.
305	27R-3	MCHENRY	431	248
CONTRACT NO. 62517				
ILLINOIS FED. AID PROJECT				