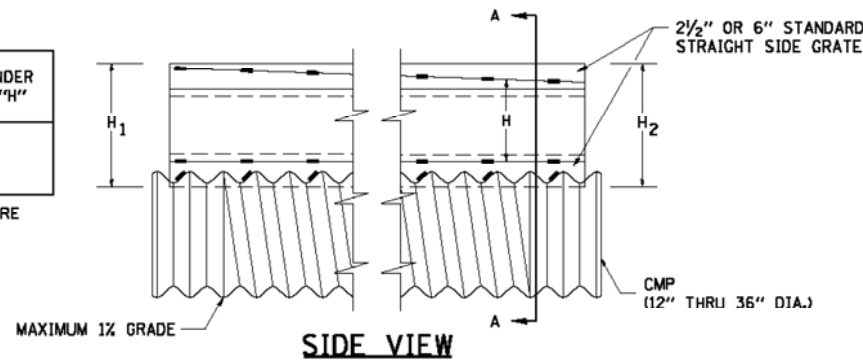
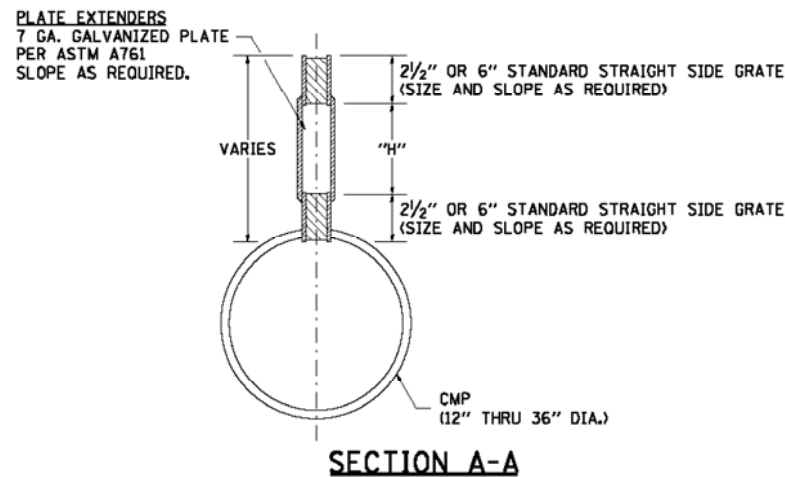


SLOTTED DRAIN PIPE

LOADING CONDITION	MAX. EXTENDER HEIGHT - "H"
H20/H25 • 750 PSI CONCRETE	19"
• 125 PSI TIRE PRESSURE	



DETAIL WITH VARIABLE HEIGHT GRATE



SECTION A-A

GENERAL

Class SI Concrete shall be used throughout. This specification covers Slotted Drain used for the removal of water as shown on the plans. The Slotted Drain shall be Corrugated Pipe Culvert with Integral Slotted Drains. Before placing the concrete adjacent to the pipe, the slot shall be covered by either thin, flat metal sheeting or by a board notched to fit over the grate bars. This covering must fit closely in the slot to prevent entry of concrete into the pipe. Paving over the slotted drain will then be one continuous operation over the protected drain. The protection for the drain slot shall then be removed. The pipe shall drain into the side of the inlet. The opening where the slot is removed shall be covered to prevent concrete from entering the pipe. The Corrugated Steel Pipe used in the Slotted Drain shall meet the requirements of AASHTO M36/ASTM A760. The CMP shall be ALUMINIZED STEEL Type 2. The diameter shall be as shown on the plans. Steel grating shall meet the galvanizing requirements of AASHTO M111. This work will be paid for at the contract unit price per foot for SLOTTED DRAIN of the pipe diameter specified WITH VARIABLE SLOT, or SLOTTED DRAIN, of the pipe diameter specified, WITH 6" SLOT, and shall include concrete and grating for depth specified on plans. Use approved end cap to prevent concrete entry into the pipe during gutter construction on the upstream end of the pipe.

CONNECTIONS

The Corrugated Steel Pipe shall have a minimum of two rerolled annular ends. The Slotted Drain bands shall be modified HUGGER Bands to secure the pipe and prevent infiltration of the backfill. When the Slotted Drain is banded together, the adjacent grates shall have a maximum 3" gap.

GRATES

The grates shall be manufactured from ASTM A670, Grade 36 steel. The spacers and bearing bars (sides) shall be 3/16" material ±0.008". The spacers shall be on 6" centers and welded on both sides to each bearing bar (sides) with four (4) 1-1/4" long 3/16" fillet welds on each side of the bearing bar. The plate extender shall be 7 gage steel meeting ASTM A761. The engineer may call for tensile strength tests on the grate if the grate is not in compliance with the above spacer specifications. If tensile strength tests are called for, minimum results for an in-place spacer pulled perpendicular to the bearing bar shall be:
T = 12,000 pounds for 2-1/2" grate
T = 15,000 pounds for 6" grate

GALVANIZING

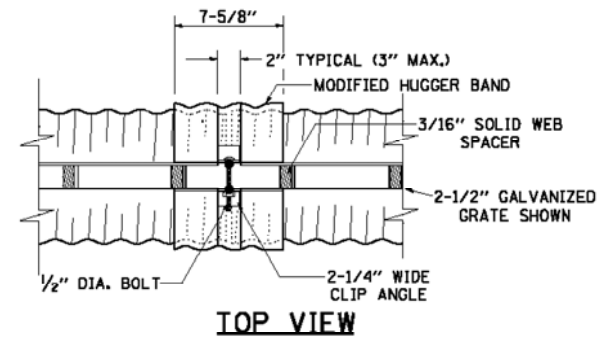
The grate and plate extenders shall be galvanized in accordance with ASTM A123 except with a 2 oz. galvanized coating.

GRATE ATTACHED TO CSP

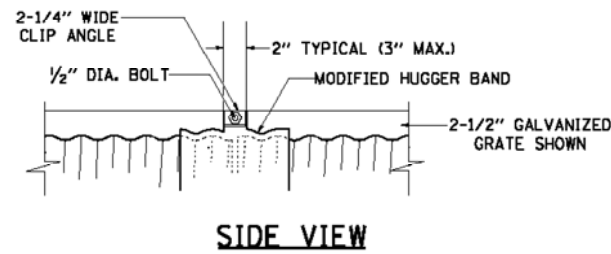
The grate shall be fillet welded with a minimum weld 1" long to the CSP on each side of the grate at every other corrugation.

TOLERANCES - FINISHED SLOTTED DRAIN - 20' LENGTHS

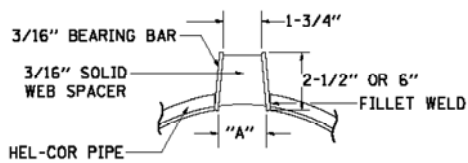
Vertical Bow = ± 3/8"
Horizontal Bow = ± 5/8"
Twist = ± 1/2"



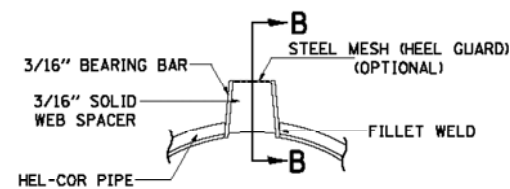
TOP VIEW



SIDE VIEW



SECTION A-A STANDARD DETAIL



SECTION A-A DETAIL WITH MESH

(TRAPEZOIDAL GALVANIZED GRATE SHOWN)

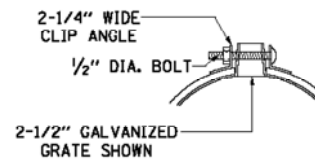
GAGE OF PIPE	DIAMETER OF PIPE					
	12"	15"	18"	24"	30"	36"
16	X	X	X	X	X	X
14	X	X	X	X	X	X
12	N.A.	N.A.	N.A.	N.A.	X	X

GRATE TYPE	"A"	
VERT	2-1/2"	1-3/4"
TRAP	2-1/2"	2-1/4"
TRAP	6"	3"

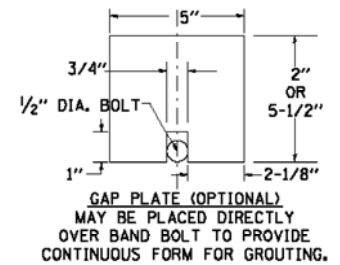
VERT = VERTICAL
TRAP = TRAPEZOIDAL

SLOTTED DRAIN NOTES

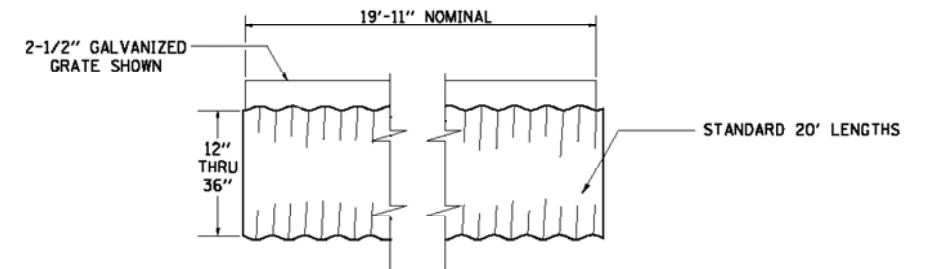
- GRATING IS AVAILABLE IN DEPTHS OF 2-1/2" AND 6".
- VERTICAL GRATING (STRAIGHT SIDES) WITH VERTICAL SPACERS IS ALSO AVAILABLE.
- FOR 6" VERTICAL & TRAPEZOIDAL REQUIREMENTS, THE SLOTTED DRAIN BAND MAY BE FURNISHED WITH THE 4" TECHCO BAND ANGLE.
- DIMENSIONS ARE SUBJECT TO MANUFACTURING TOLERANCES.
- DIMENSIONS FOR H₁ AND H₂ AS REQUIRED.
- H₁ AND H₂ MEASURED FROM TOP OF GRATE TO BOTTOM OF GRATE.



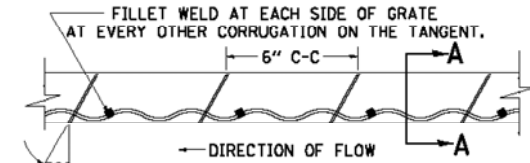
END VIEW



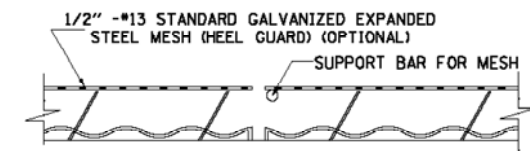
GAP PLATE (OPTIONAL) MAY BE PLACED DIRECTLY OVER BAND BOLT TO PROVIDE CONTINUOUS FORM FOR GROUTING.



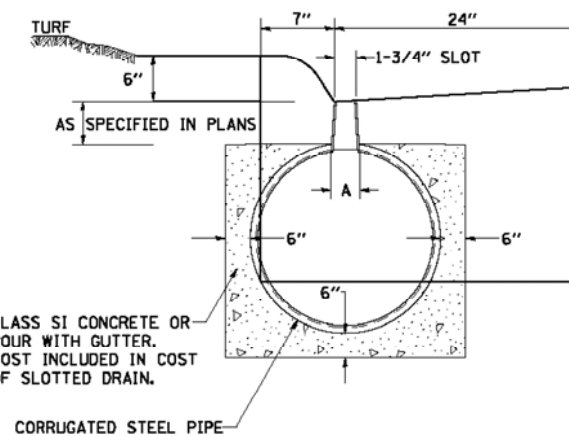
TYPICAL PIPE SECTION



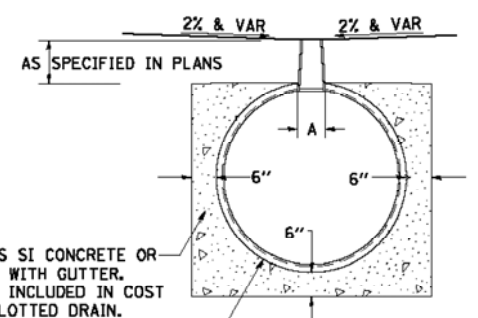
GRATE WELDING DETAIL



SECTION B-B



DETAIL FOR CURB & GUTTER



DETAIL FOR CROSSOVERS, DRIVEWAYS, OR PARKING LOTS

ALL DIMENSIONS ARE IN INCHES UNLESS OTHERWISE NOTED.