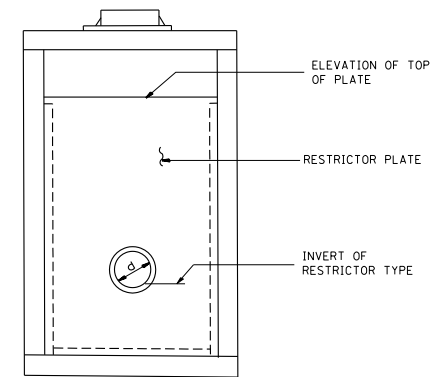
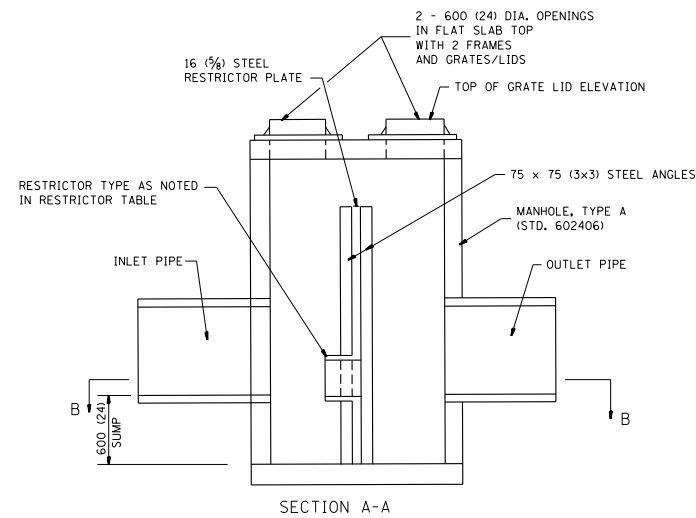
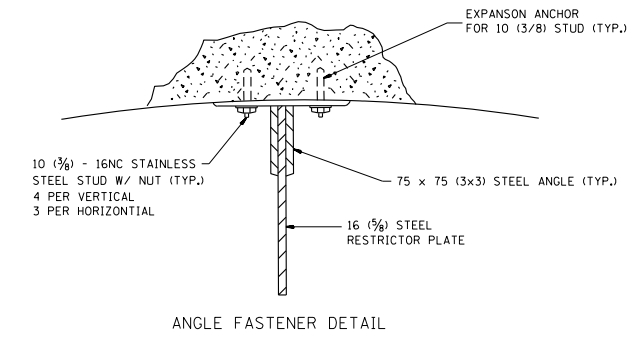
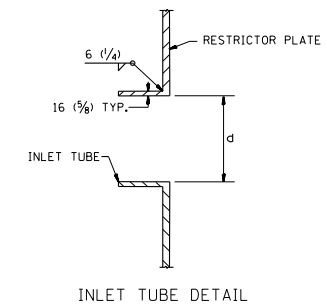


PLAN AND SECTION B-B  
REVISED FOR ADDITIONAL  
INLET PIPE

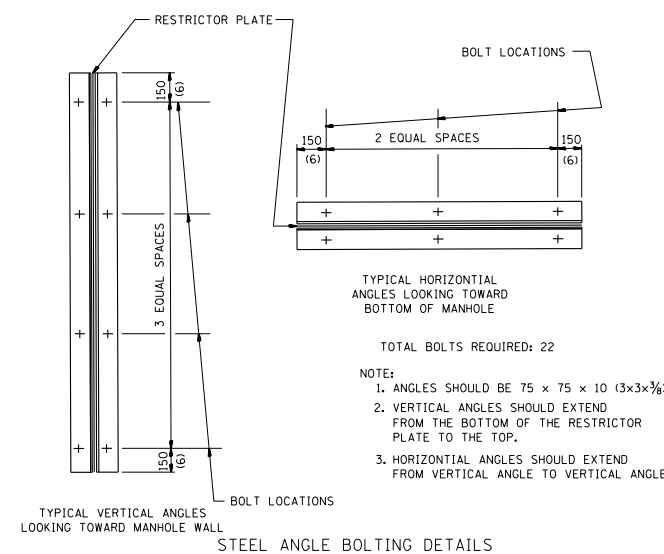


NOTES:

1. ALL STEEL ANGLES AND PLATES TO BE GALVANIZED AFTER FABRICATION.
2. ALL RESTRICTOR PLATES, ANGLES AND HARDWARE TO BE INCLUDED IN THE COST OF THE MANHOLE.
3. BASIS OF PAYMENT: "MANHOLES, TYPE A, 1.8M (6FT.) DIAMETER, TYPE 1 FRAME, CLOSED LID, RESTRICTOR PLATE" EACH



STATION	MANHOLE DIAMETER	FRAME AND GRATE	RESTRICTOR TYPE	INSIDE RESTRICTOR TYPE DIAMETER mm (in.) (d)	INVERT OF RESTRICTOR TYPE	ELEVATION OF TOP OF PLATE OVERFLOW
549+73.50	6'	TYPE 1 CL	3	12"	906.32	909.60
550+09	6'	TYPE 1 CL	3	14"	906.09	909.00
572+10	6'	TYPE 1 CL	3	11"	910.25	913.65
572+46	6'	TYPE 1 CL	3	11.5"	910.25	913.35



- TYPICAL HORIZONTAL ANGLES LOOKING TOWARD BOTTOM OF MANHOLE
- TOTAL BOLTS REQUIRED: 22
- NOTE:
1. ANGLES SHOULD BE 75 x 75 x 10 (3x3x3/8)
  2. VERTICAL ANGLES SHOULD EXTEND FROM THE BOTTOM OF THE RESTRICTOR PLATE TO THE TOP.
  3. HORIZONTAL ANGLES SHOULD EXTEND FROM VERTICAL ANGLE TO VERTICAL ANGLE.

RESTRICTOR TYPE					
1	2	3	4	5	6
RE-ENTRANT TUBE	SHARP EDGED	SQUARE EDGED	RE-ENTRANT TUBE	SQUARE EDGED	ROUNDED
LENGTH: 1/2 TO 1 DIA.		STREAM CLEARS SIDES	LENGTH: 2-1/2 DIA.	LENGTH: 2-1/2 DIA.	
C=.52	C=.61	C=.61	C=.73	C=.82	C=.98

VALUES OF "C" FOR CIRCULAR AND SQUARE ORIFICES

ALL DIMENSIONS ARE IN MILLIMETERS (INCHES) UNLESS OTHERWISE SHOWN.

FILE NAME =	USER NAME = .USERNAME.	DESIGNED -	REVISED - R. SHAH 09/09/94
S:\1606\CADD Sheets\DI Standards\BD-12.dwg		DRAWN -	REVISED - R. SHAH 10/25/94
	PLOT SCALE = 120.0000' / IN.	CHECKED -	REVISED - E. GOMEZ 08/28/00
	PLOT DATE = 11/6/2013	DATE -	REVISED - M. GOMEZ 01/08/01

STATE OF ILLINOIS  
DEPARTMENT OF TRANSPORTATION

MANHOLE WITH RESTRICTOR PLATE

SCALE: SHEET NO. 255 OF 431 SHEETS STA. TO STA.

F.A.P. RTE.	SECTION	COUNTY	TOTAL SHEETS	SHEET NO.
305	27R-3	MCHENRY	431	255
BD600-04	(BD-12)	CONTRACT NO. 62517		
ILLINOIS FED. AID PROJECT				