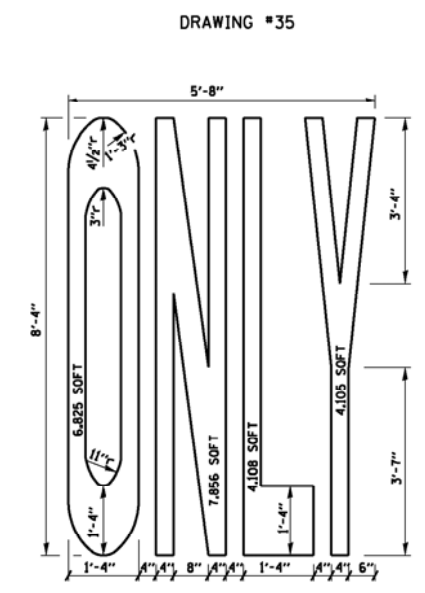
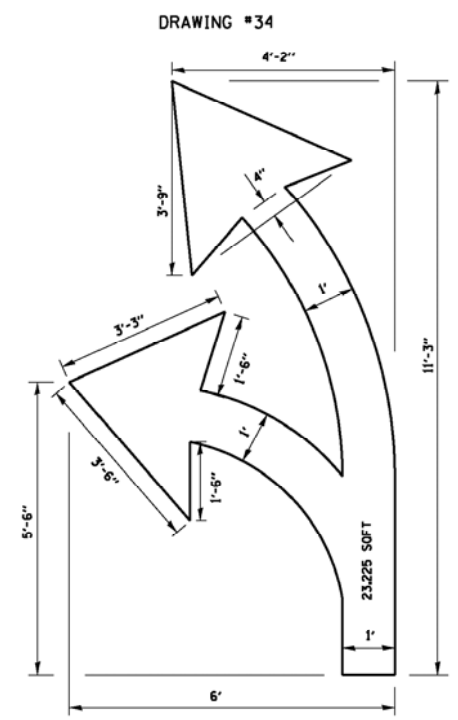
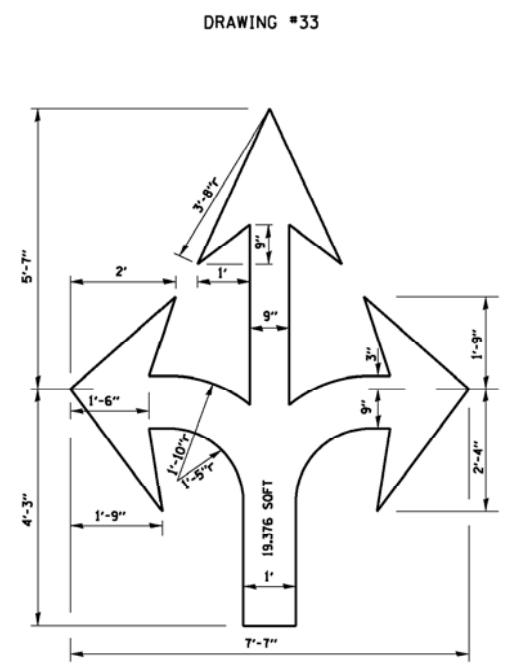
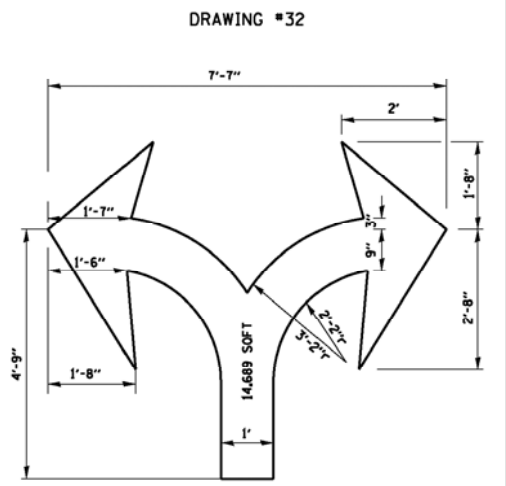
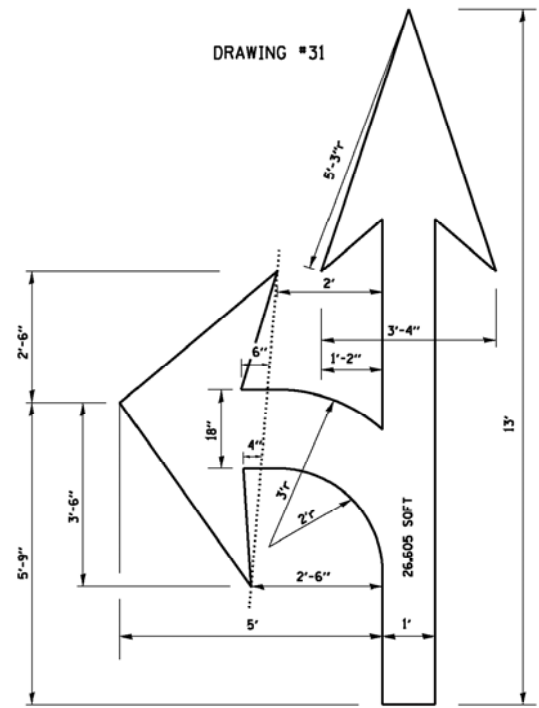
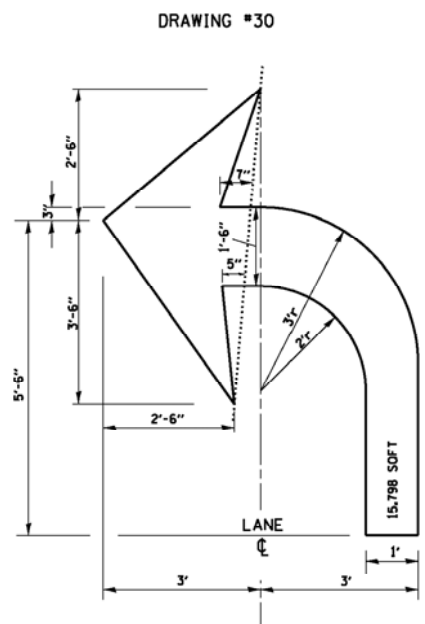
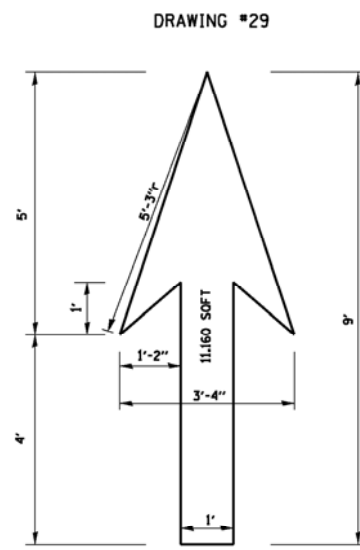


ALL ROUNDS 1" UNLESS OTHERWISE NOTED.

NOTE:

- 1.) FOR BIKE LANE SYMBOLS ONLY, USE PRE-FORMED THERMOPLASTIC WITH A MINIMUM THICKNESS OF 90 MILS, MINIMUM SKID RESISTANCE VALUE OF 60 BPN, & A MINIMUM INDEX OF REFRACTION OF 1.50.
- 2.) THE RESIDENT ENGINEER SHALL CONTACT MR. BEN GOMBERG AT 312-744-8093 AT LEAST ONE CALENDAR WEEK PRIOR TO INSTALLING BIKE LANE SYMBOLS.

TYPICAL BIKE LANE SYMBOLS
DRAWING #28



NOTE: ALL MARKINGS SHALL BE SOLID WHITE UNLESS OTHERWISE NOTED IN THE PLANS

FILE NAME = W:\data\d\22x34\to24.dgn

USER NAME = geglienobt

DESIGNED -
DRAWN -
CHECKED -
DATE -

REVISED - T. RAMMACHER 12-07-00
REVISED -
REVISED -
REVISED -

STATE OF ILLINOIS
DEPARTMENT OF TRANSPORTATION

CITY OF CHICAGO
TYPICAL PAVEMENT MARKINGS
SCALE: NONE SHEET NO. 266 OF 431 SHEETS STA. TO STA.

F.A.P. RTE.	SECTION	COUNTY	TOTAL SHEETS	SHEET NO.
305	27R-3	MCHENRY	431	266
TC-24			CONTRACT NO. 62517	
FED. ROAD DIST. NO. 1 ILLINOIS FED. AID PROJECT				