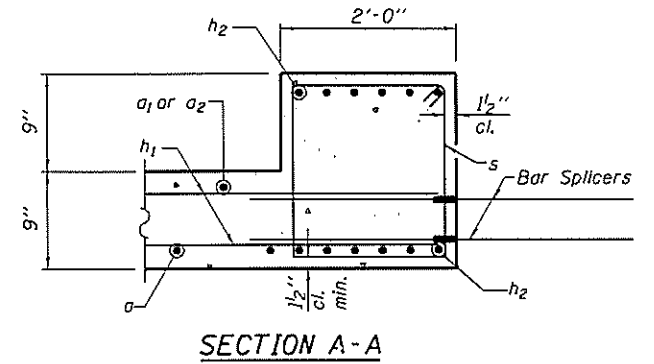
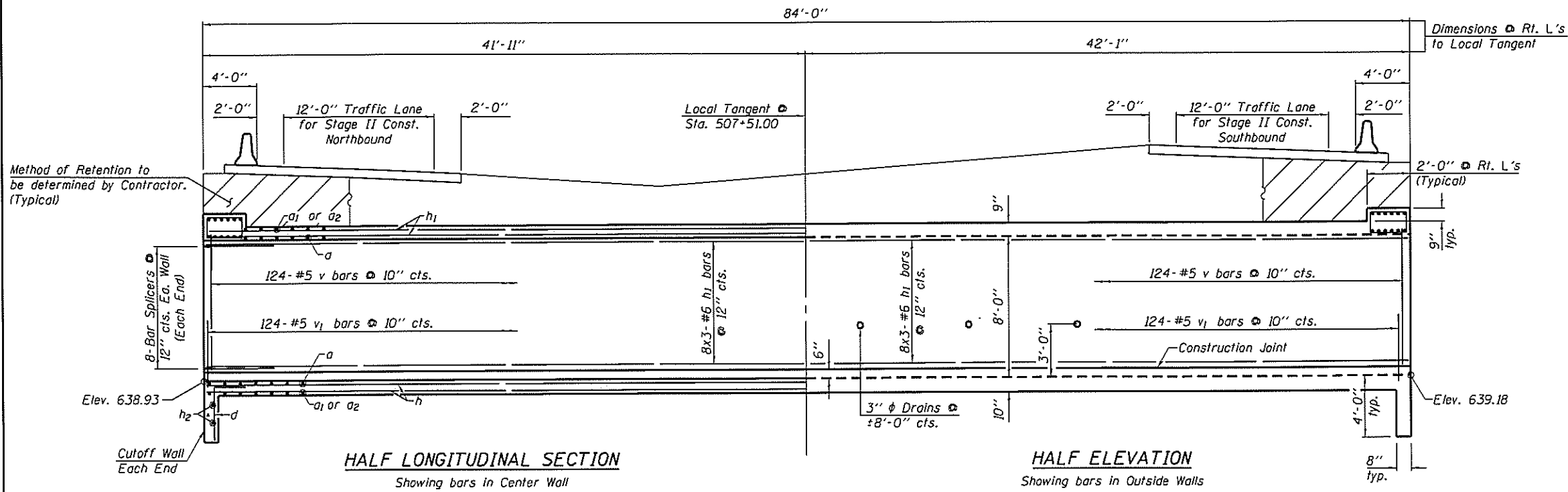


STATE OF ILLINOIS
DEPARTMENT OF TRANSPORTATION

ROUTE NO.	SECTION	COUNTY	TOTAL SHEETS	SHEET NO.
F.A.I. 57	**	IROQUOIS	190	71
FED. ROAD DIST. NO.	ILLINOIS			
**138-4RS-2, 138-4BR3		CONTRACT NO. 65757		

Sheet 4 of 11 Sheets

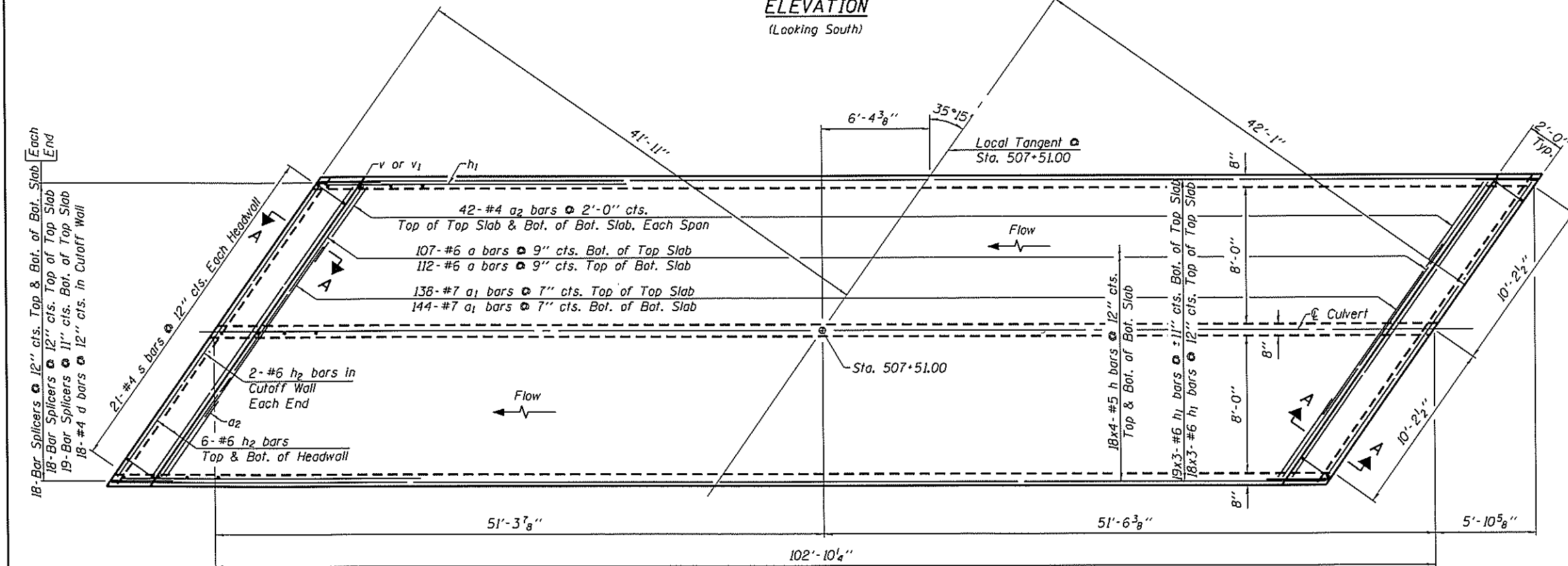


ELEVATION
(Looking South)

BILL OF MATERIAL - STAGE I

Bar	No.	Size	Length	Shape
a	219	#6	23'-0"	[U-shape]
a ₁	282	#7	11'-0"	[U-shape]
a ₂	168	#4	7'-0"	[U-shape]
d	36	#4	5'-6"	[L-shape]
h	144	#5	27'-0"	[U-shape]
h ₁	183	#6	35'-9"	[U-shape]
h ₂	28	#6	21'-9"	[U-shape]
s	42	#4	6'-9"	[L-shape]
v	372	#5	8'-0"	[U-shape]
v ₁	372	#5	3'-0"	[U-shape]
Concrete Box Culverts			Cu. Yd.	175.4
Reinforcement Bars			Pound	34,080

Note: See Sheet 7 of 11 for additional Culvert Details and Bar Bends.
See Sheet 8 of 11 for Bar Splicer Details.



PLAN

MINIMUM BAR LAP - BARREL

- #4 1'-4"
- #5 1'-8"
- #6 2'-0"

Note: All bar spacings shown are at right angles to bars.

DESIGNED -	S.F.M.
CHECKED -	J.A.M.
DRAWN -	S.A.P.
CHECKED -	S.F.M. & J.A.M.

Note: Bars indicated thus, 18x4-#5 etc. indicates 18 lines of bars with 4 lengths per line.

STAGE I CULVERT CONSTRUCTION
I-57 OVER
DANFORTH TOWNSHIP DRAINAGE DITCH
F.A.I. ROUTE 57
SECTION (38-4)RS-2, (38-4)BR3
IROQUOIS COUNTY
STATION 507+51.00
S.N. 038-2019