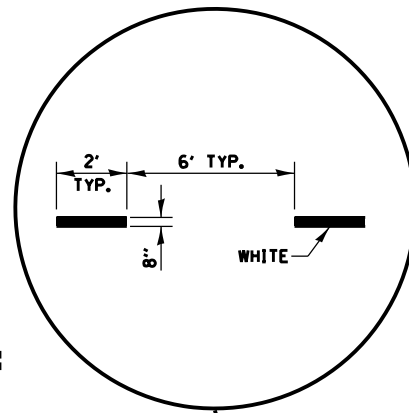
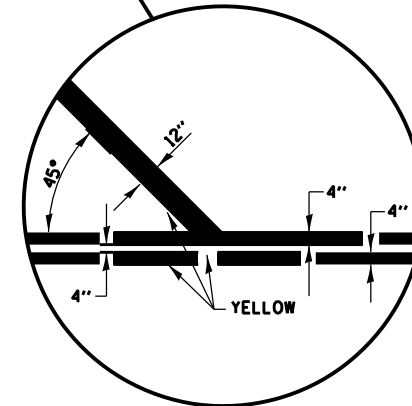
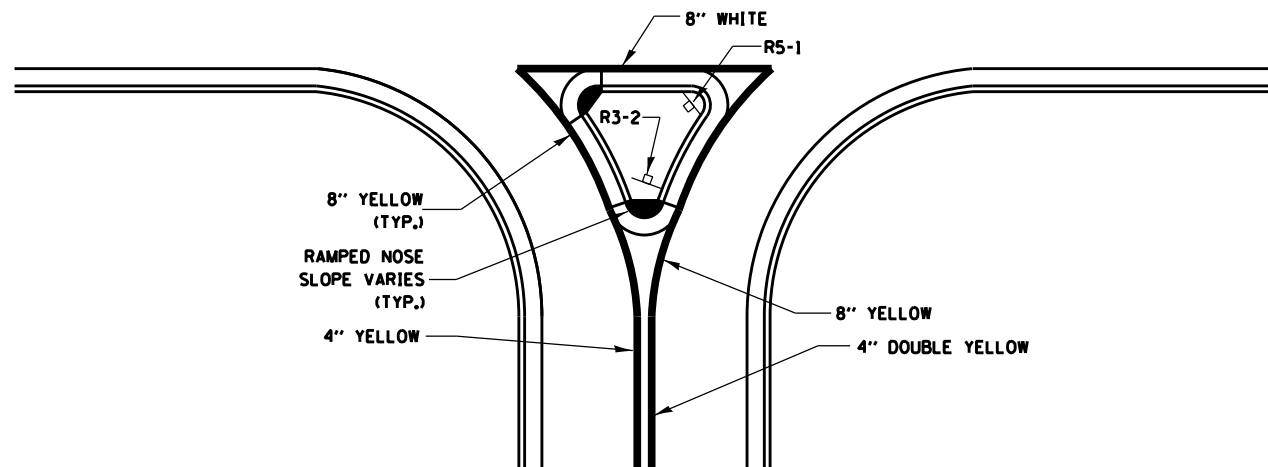
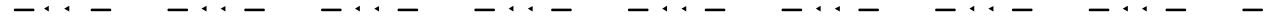


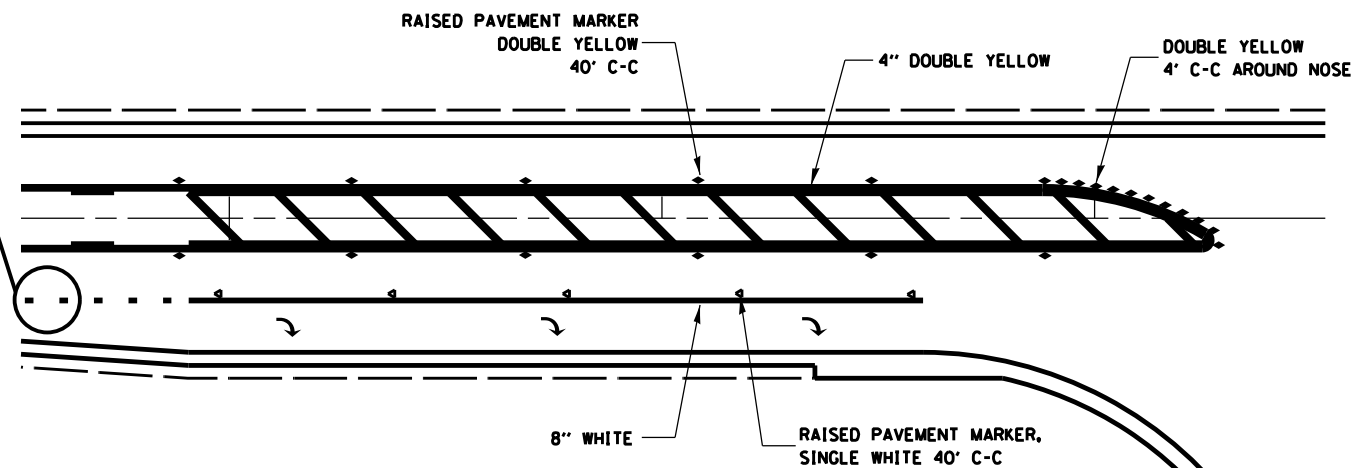
**TYPICAL APPLICATION  
LEFT TURN LANES**



**ADVANCE AND INTERSECTION LANE  
DIVIDER LINES**



**RIGHT IN RIGHT OUT ACCESS PAVEMENT MARKING**



**RAISED REFLECTIVE AND PAVEMENT MARKERS  
RIGHT TURN LANE**

# URBAN PAVEMENT MARKING

FILE NAME =	USER NAME = mcFaddenka	DESIGNED -	REVISED -	STATE OF ILLINOIS DEPARTMENT OF TRANSPORTATION	DETAILS			F.A.P. RTE.	SECTION	COUNTY	TOTAL SHEETS	SHEET NO.
es:\pwr\work\pwr\dot\mcFaddenka\ld8386852\366C48-sh1-deta1.s.dgn	PLOT SCALE = 100.0000' / 1in.	DRAWN -	REVISED -					68	(5 & 6) RS-2	LASALLE	41	37
PLOT DATE = 6/5/2014	DATE -	CHECKED -	REVISED -		SCALE:      SHEET NO.      OF      SHEETS      STA.      TO STA.			CONTRACT NO. 66C48				
					FED. ROAD DIST. NO.      ILLINOIS FED. AID PROJECT							