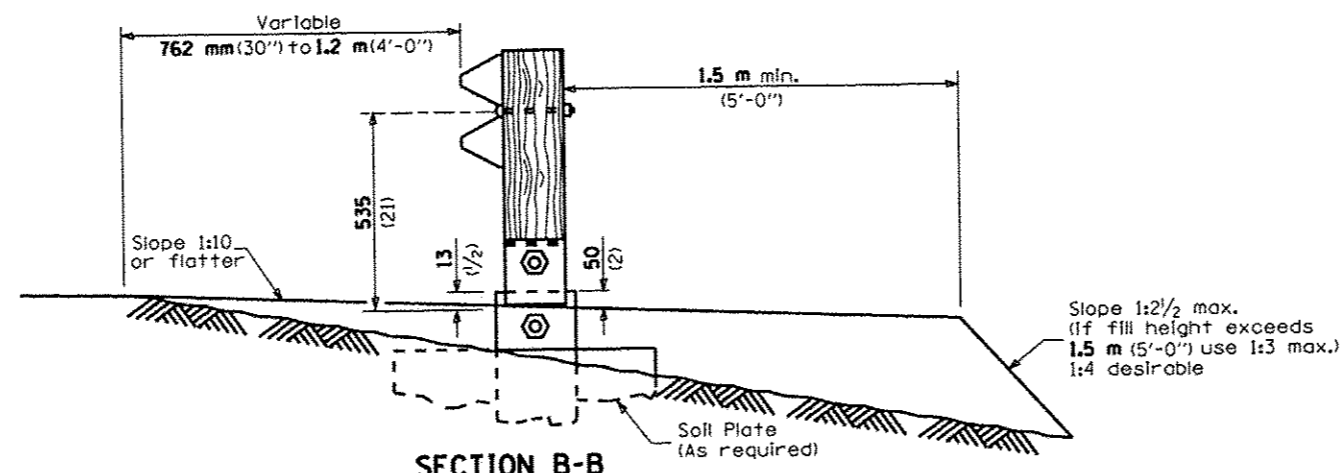


**SHOULDER WIDENING TRANSITION
FOR FLARED TERMINAL**



SECTION B-B
(End section omitted for clarity.)

• D-3 HIGHWAY DAMAGE REPAIR 2015

FILE NAME * #FILE#	USER NAME * #USER#	DESIGNED -	REVISED -	STATE OF ILLINOIS DEPARTMENT OF TRANSPORTATION	PRE-MGS EFFECTIVE 4-1-06		P.A. RTE.	SECTION	COUNTY	TOTAL SHEETS	SHEET NO.
	PLOT SCALE * #SCALE#	DRAWN -	REVISED -		SHOULDER WIDENING FOR TYPE 1 (SPECIAL) GUARDRAIL TERMINALS			YAB.	YAB.	43	30
PLOT DATE * #DATE#	CHECKED -	REVISED -	STANDARD 630301-03 (Sheet 2 of 2)		CONTRACT NO. 66015		ILLINOIS FED. AID PROJECT				
	DATE -	REVISED -	SCALE: _____ SHEET NO. _____ OF _____ SHEETS STA. _____ TO STA. _____								