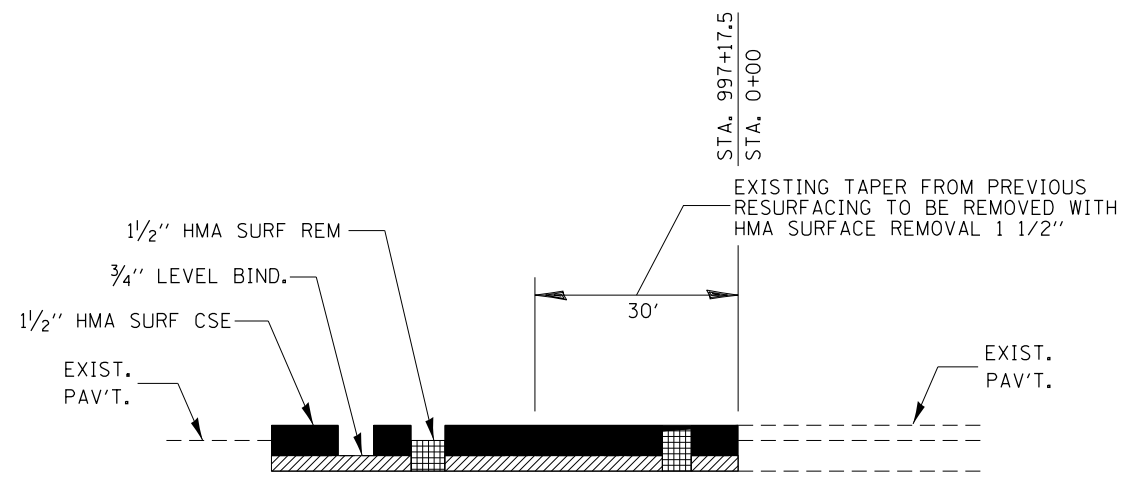
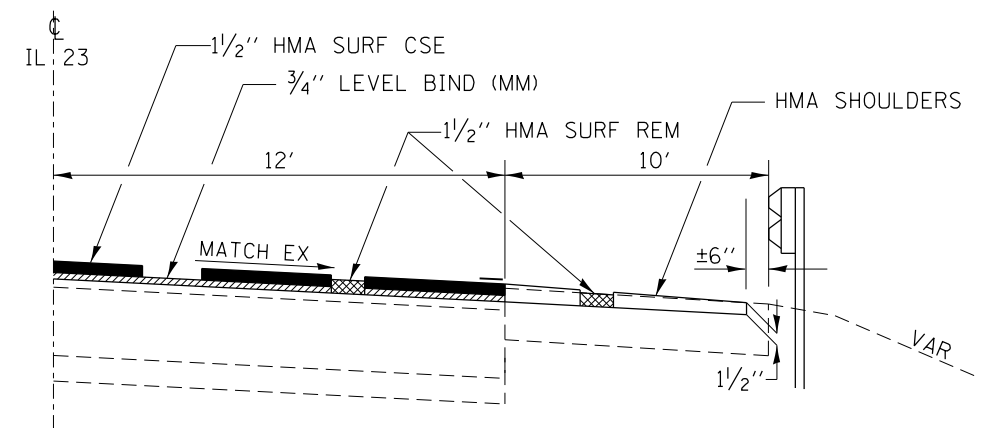


MILLING AT GUTTER

STA. 630+04 TO STA. 632+42 LT
 STA. 774+20 TO STA. 776+12 RT



END OF PROJECT



FILE NAME =	USER NAME = duncanbd	DESIGNED -	REVISED -
et:\pwork\pwork\dot\duncanbd\0373950\0386047-shd-details.dgn		DRAWN -	REVISED -
	PLOT SCALE = 100.0000' / in.	CHECKED -	REVISED -
	PLOT DATE = 6/4/2014	DATE -	REVISED -

STATE OF ILLINOIS
 DEPARTMENT OF TRANSPORTATION

DETAILS

SCALE: SHEET NO. OF SHEETS STA. TO STA.

F.A.P. RTE.	SECTION	COUNTY	TOTAL SHEETS	SHEET NO.
68	(29,30)RS-4	DEKALB	26	23
CONTRACT NO. 66952				
ILLINOIS FED. AID PROJECT				