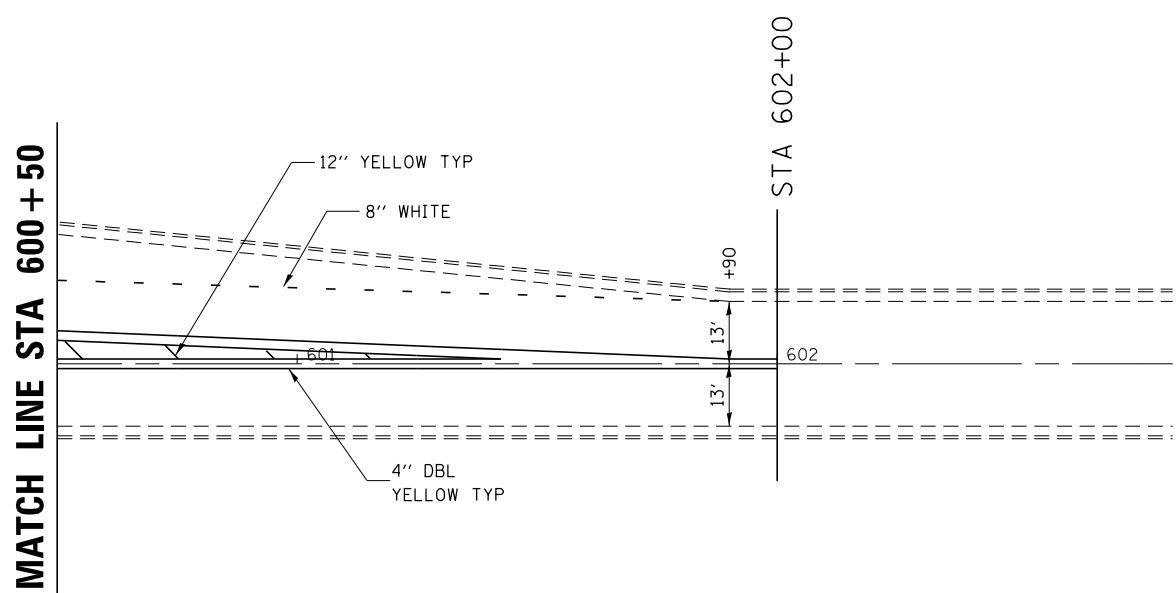


STA 10+00 IL 9 & 47 =
STA. 597+78.47 IL 54



FILE NAME =	USER NAME = fergusonse	DESIGNED -	REVISED -
c:\pwork\pwork\fergusonse\d0387933\0xxxxx-sht-cover.dgn		DRAWN -	REVISED -
	PLOT SCALE = 100.0000' / 1in.	CHECKED -	REVISED -
\$MODELNAME\$	PLOT DATE = 6/7/2014	DATE -	REVISED -

**STATE OF ILLINOIS
DEPARTMENT OF TRANSPORTATION**

PAVEMENT MARKING DETAILS

SCALE: SHEET OF SHEETS STA. TO STA.

F.A.P. RTE.	SECTION	COUNTY	TOTAL SHEETS	SHEET NO.
326	(127)RS-3	FORD	11	7
CONTRACT NO. 66D62			ILLINOIS FED. AID PROJECT	