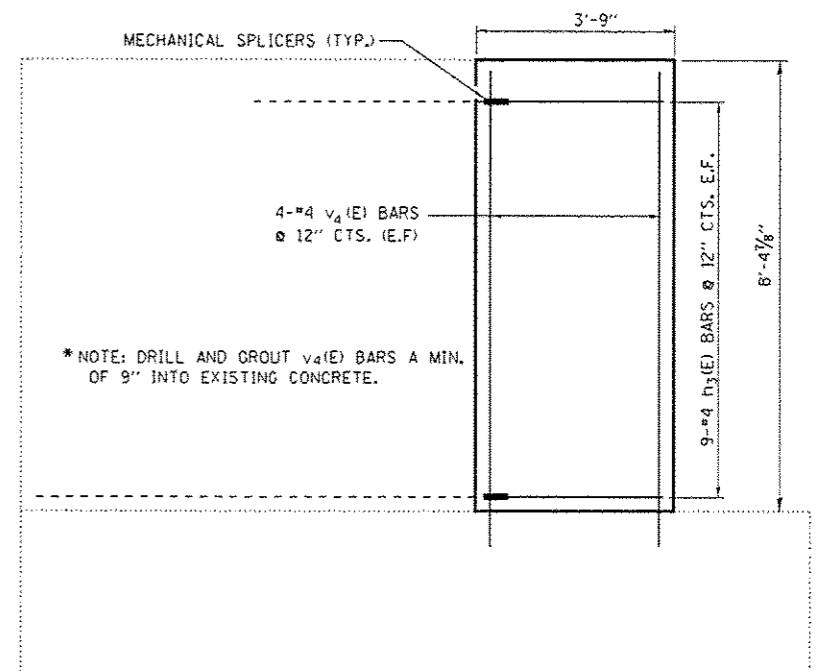
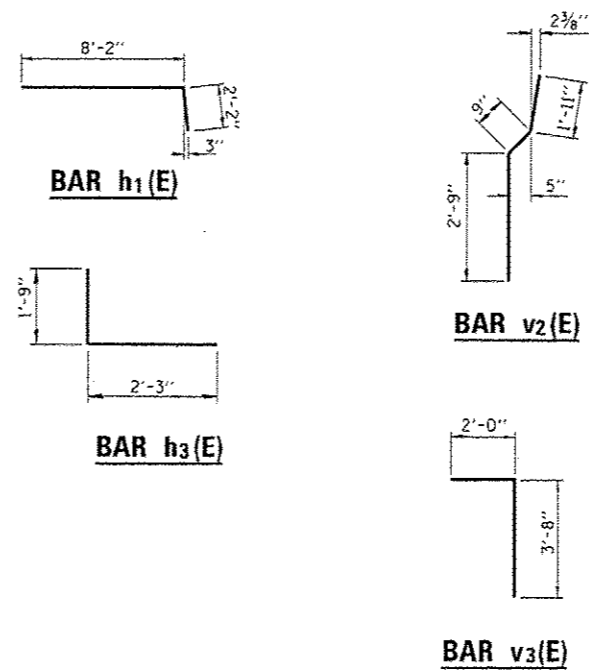
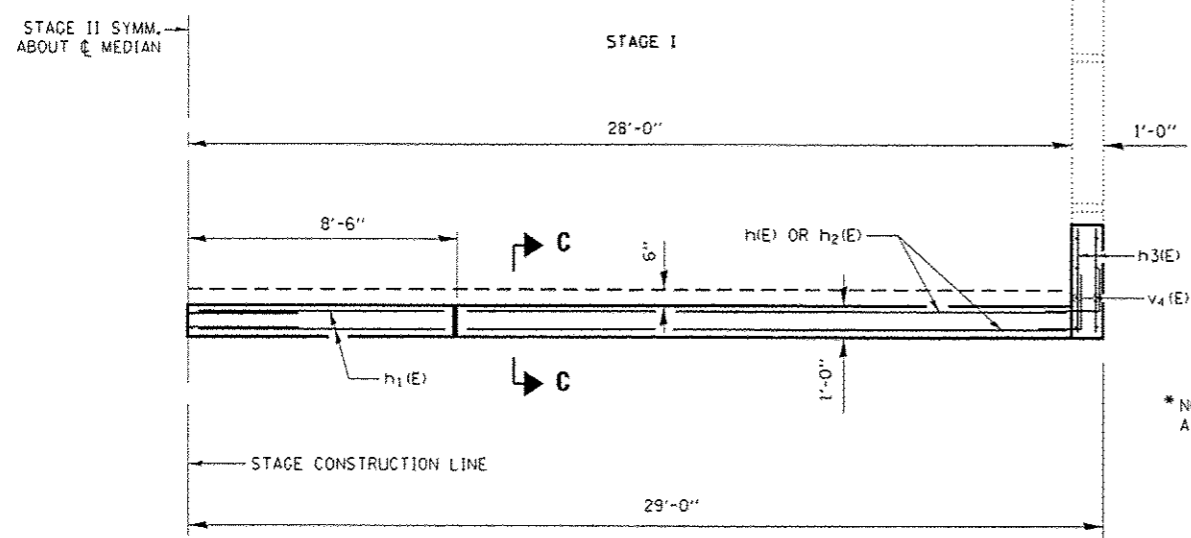


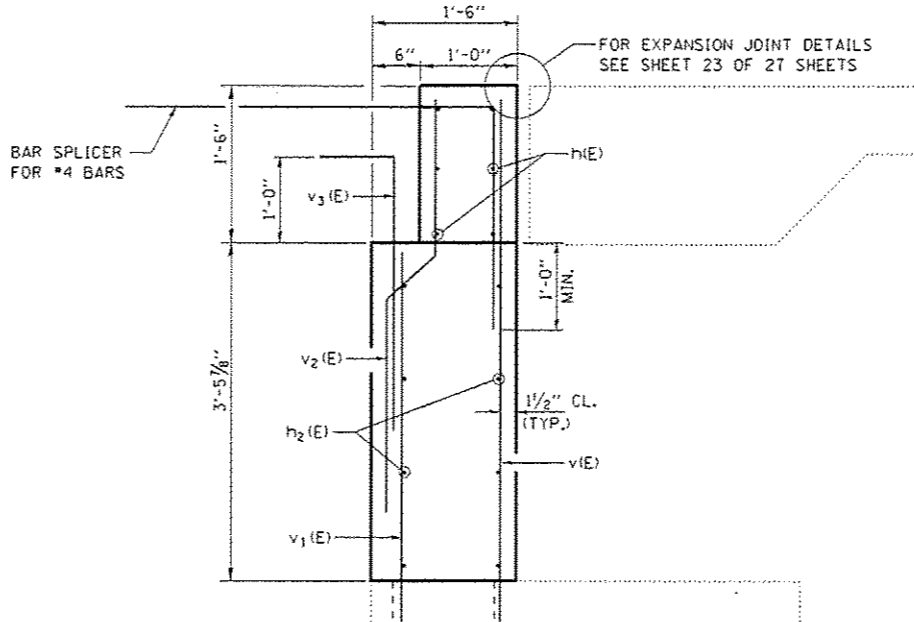
ELEVATION AT ABUTMENT
STAGE I



WING WALL ELEVATION



PLAN AT ABUTMENT
STAGE I
WEST ABUT. SHOWN, EAST ABUT.
SIMILAR THRU 180 DEG. ROTATION
ABOUT CENTERLINE OF STRUCTURE



SECTION C-C

* DRILLING AND EPOXY GROUTING OF TIE BARS INTO EXISTING HARDENED CONCRETE TO BE DONE ACCORDING TO ARTICLE 584 OF THE STANDARD SPECIFICATIONS.

BILL OF MATERIAL
FOR WEST ABUTMENT

BAR	NO.	SIZE	LENGTH	SHAPE
h(E)	12	6	27'-9"	—
h1(E)	4	4	10'-4"	—
h2(E)	16	5	27'-9"	—
h3(E)	36	4	4'-0"	—
v(E)	56	4	5'-7"	—
v1(E)	56	4	4'-1"	—
v2(E)	56	4	5'-5"	—
v3(E)	56	4	5'-8"	—
v4(E)	16	4	8'-9"	—
CONCRETE REMDVAL			CU YD	16.5
CONCRETE STRUCTURE			CU YD	16.5
REINFORCEMENT BARS, EPOXY COATED			POUNDS	1960

BARS INDICATED THUS 1 X 2-#5 ETC. INDICATES 1 LINE OF BARS WITH 2 LENGTHS PER LINE.