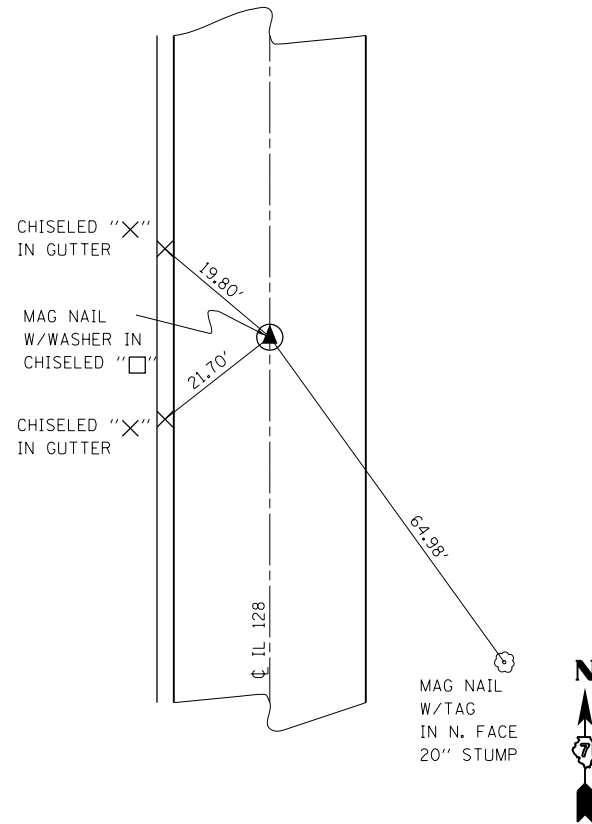


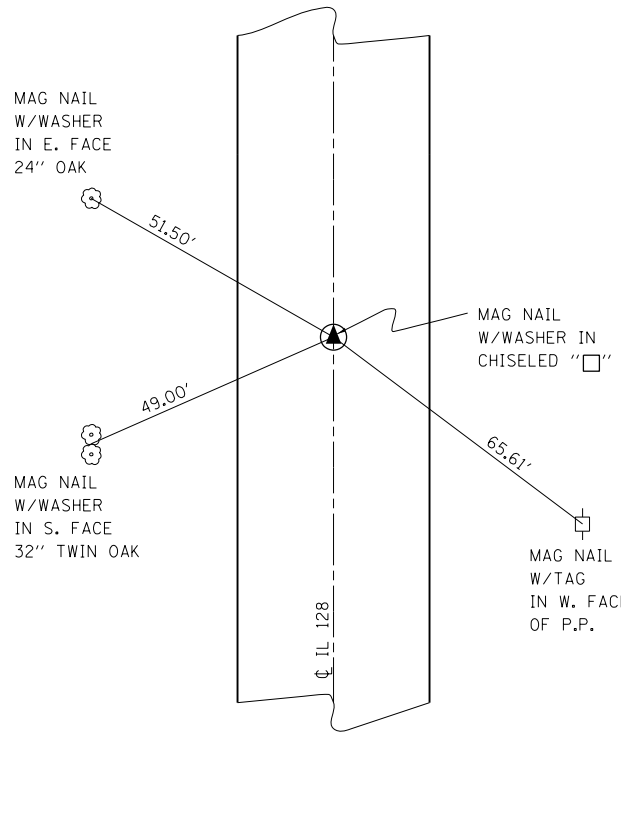
17

P.I.
STA 1092+04.82



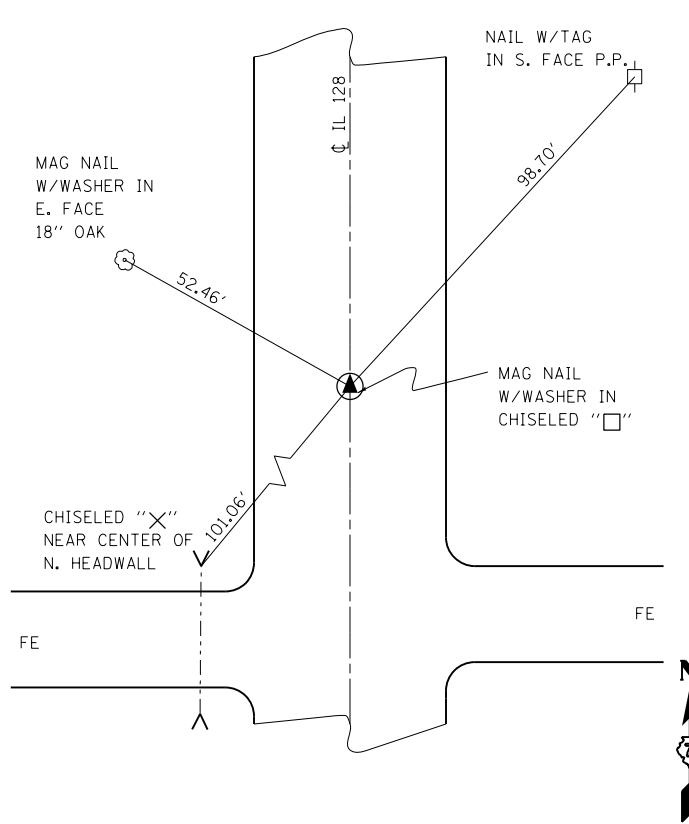
18

P.O.T.
STA 1100+00



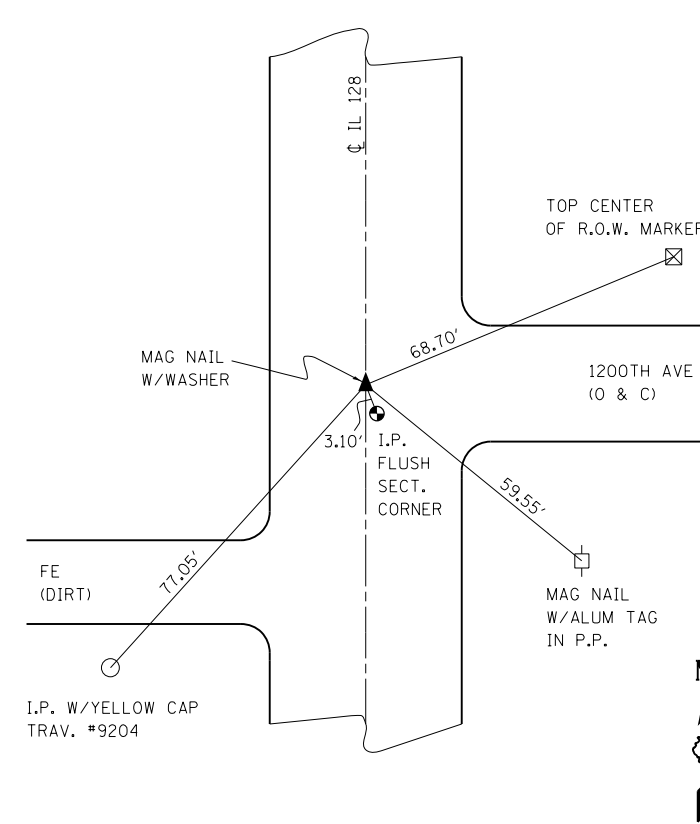
19

P.O.T.
STA 1167+79.59



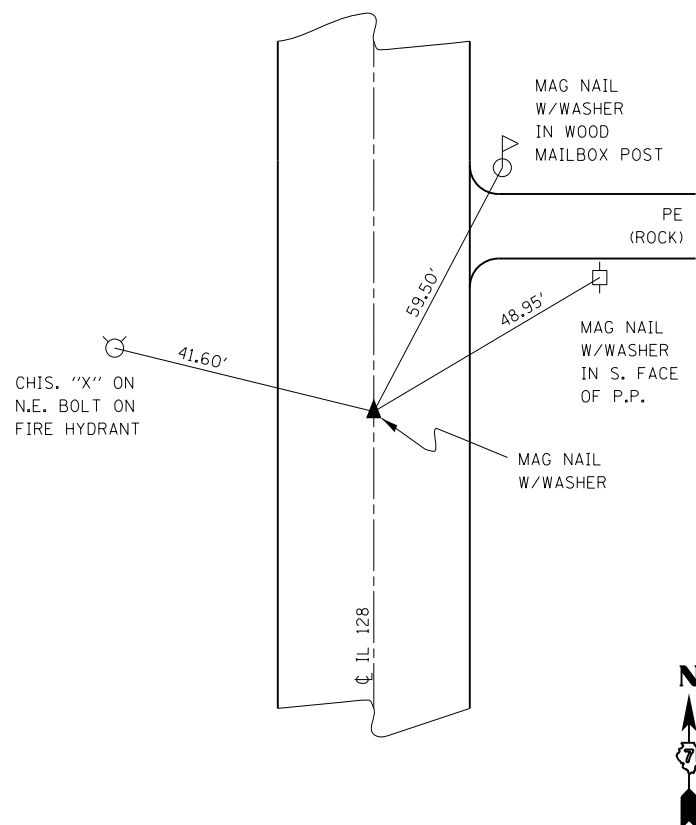
20

P.I.
STA 1237+79.39



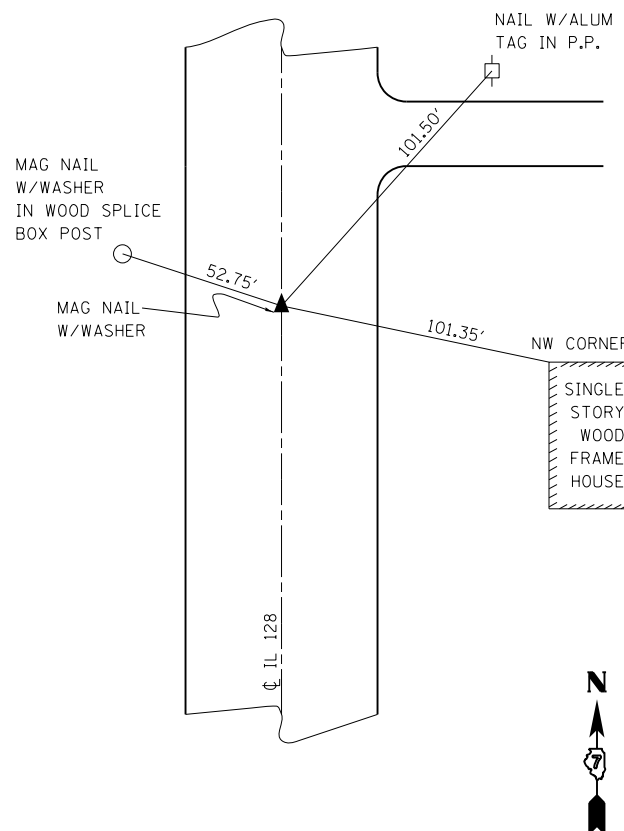
21

P.I.
STA 1359+79.03



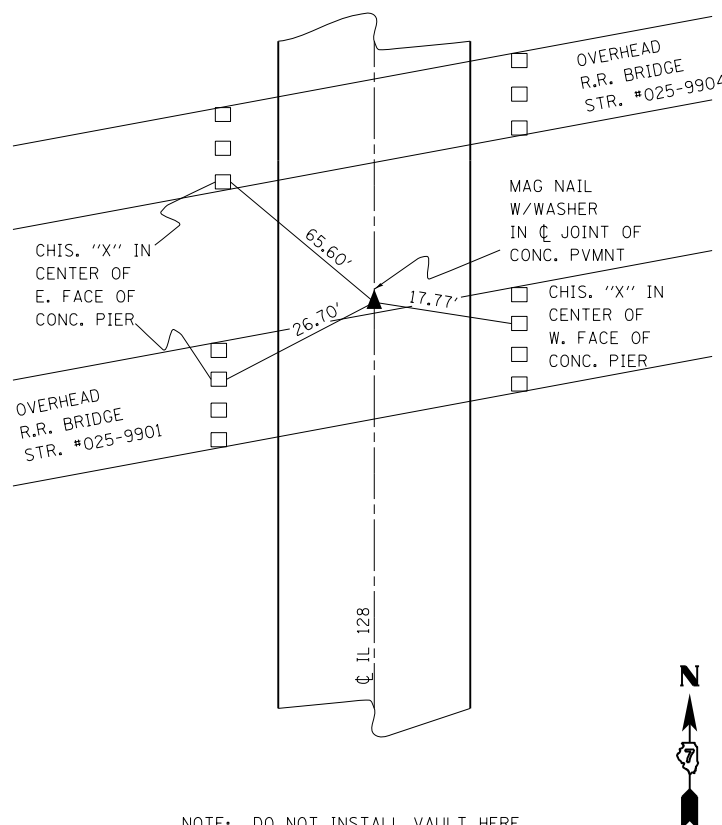
22

P.I.
STA 1272+79.24



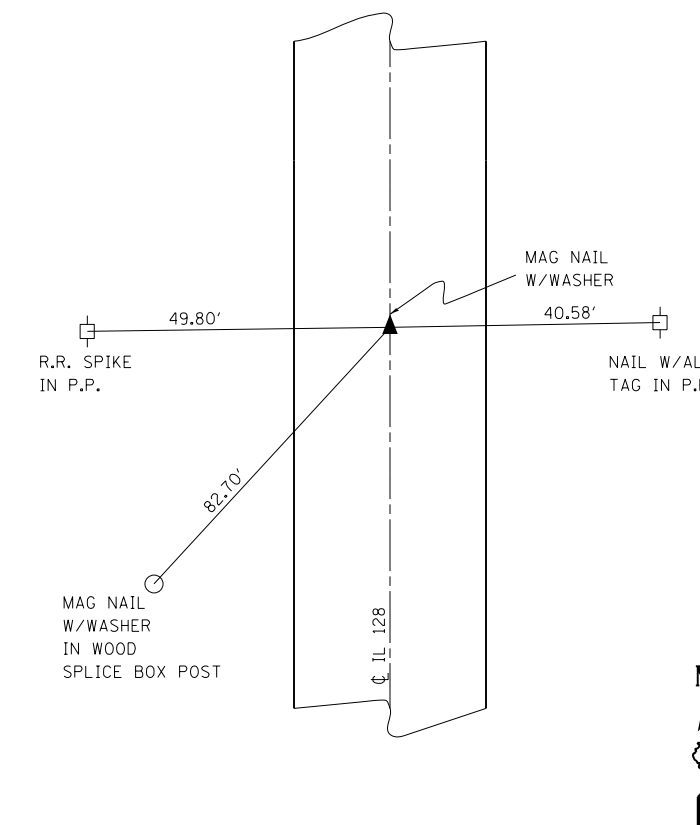
23

P.I.
STA 1392+78.88



24

P.I.
STA 1343+79.10



FILE NAME =	USER NAME = steffemk	DESIGNED -	REVISED -
ci:\pw\work\p\dot\stefemk\d0121426\074052-sh-ties.dgn		DRAWN -	REVISED -
PLOT SCALE = 100.0000' / in.		CHECKED -	REVISED -
PLOT DATE = 6/6/2014		DATE -	REVISED -

STATE OF ILLINOIS
DEPARTMENT OF TRANSPORTATION

SURVEY TIES

SCALE: N/A SHEET NO. 3 OF 8 SHEETS STA. TO STA.

F.A.S. RTÉ.	SECTION	COUNTY	TOTAL SHEETS	SHEET NO.
2801	102RS-3.103RS-2.102N		84	18
• Effingham, Fayette		CONTRACT NO. 74052		
ILLINOIS FED. AID PROJECT				