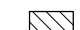


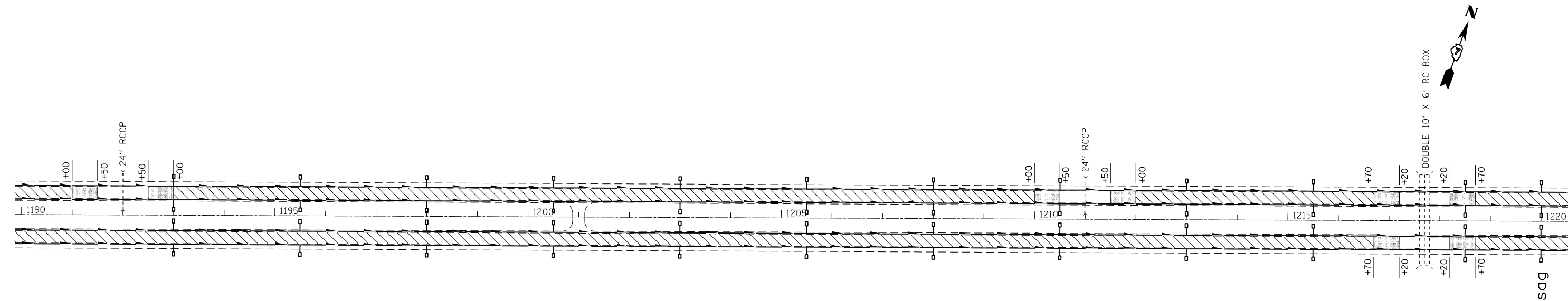
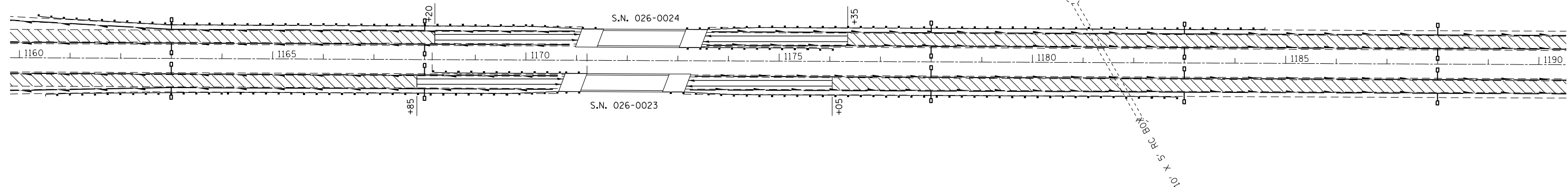


**LEGEND**

-  RUBBLIZATION
-  PAVEMENT REMOVAL & REPLACEMENT
-  CRACK & SEAT



FILE NAME =	USER NAME = swartzrw	DESIGNED -	REVISED -
ei:\pw_work\p\idot\swartzrw\d0186577\077469-sht-plan.dgn		DRAWN -	REVISED -
	PLOT SCALE = 200.0000' / in.	CHECKED -	REVISED -
	PLOT DATE = 6/5/2014	DATE -	REVISED -

**STATE OF ILLINOIS  
DEPARTMENT OF TRANSPORTATION**

**PLAN**

SCALE: 100      SHEET NO. 4 OF 9 SHEETS      STA. 1160+00 TO STA. 1220+00

F.A.I. RTE.	SECTION	COUNTY	TOTAL SHEETS	SHEET NO.
70	(26-5,26-5-1,25-1-1)R		92	34
CONTRACT NO. 74469			ILLINOIS FED. AID PROJECT	

• EFFINGHAM & FAYETTE