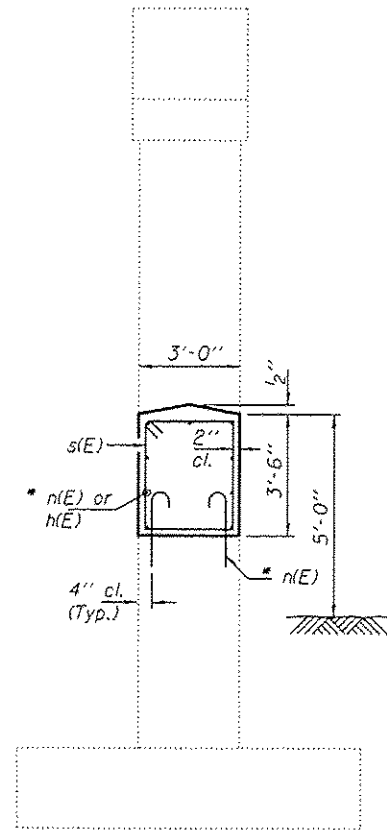
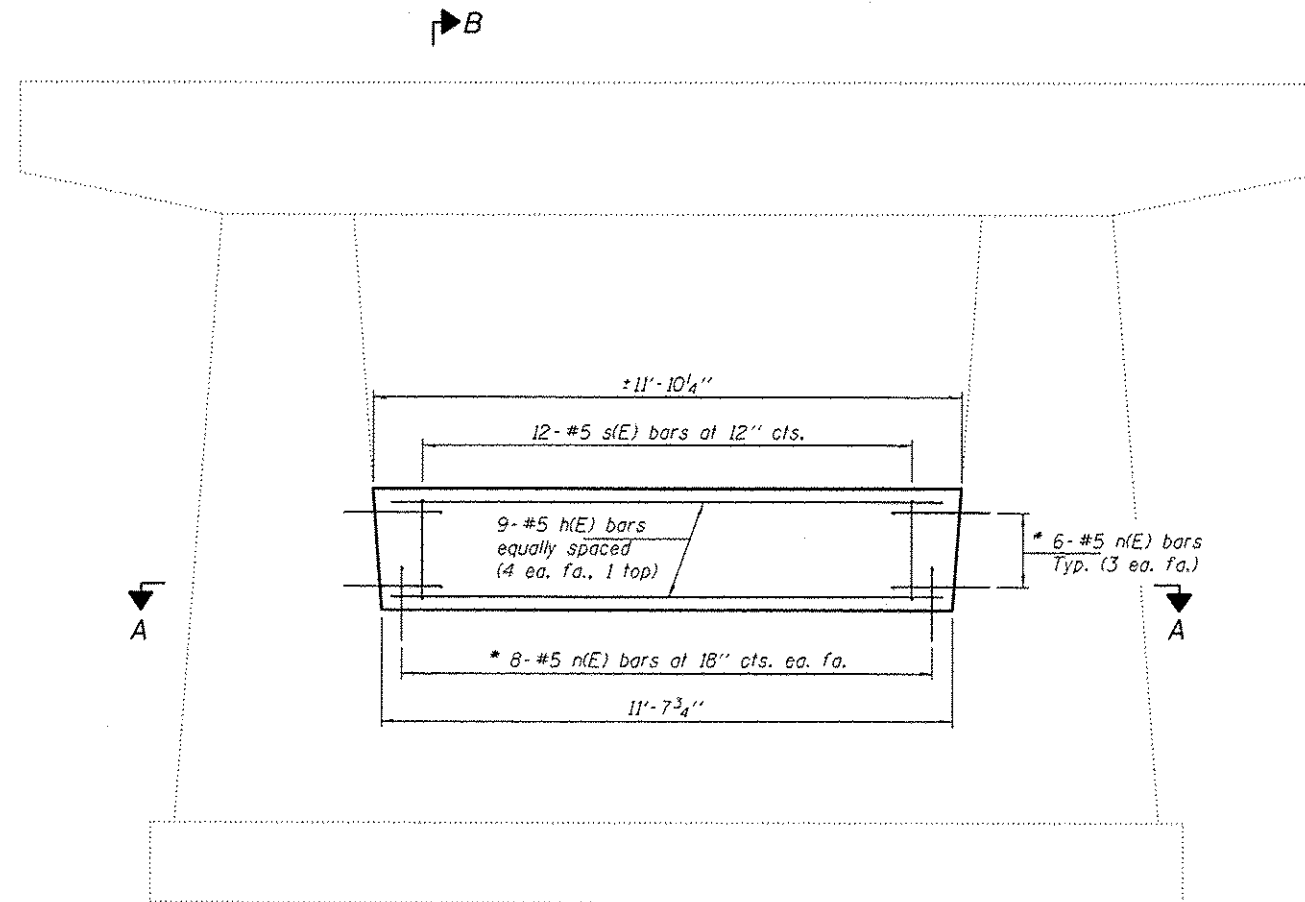


NOTES

The cost of epoxy grouting threaded rods shall be included with Reinforcement Bars, Epoxy Coated.
 Plan dimensions and details relative to existing plans are subject to nominal construction variations. The Contractor shall field verify existing dimensions and details affecting new construction and make necessary approved adjustments prior to construction or ordering of materials. Such variations shall not be cause for additional compensation for a change in scope of the work, however, the Contractor will be paid for the quantity actually furnished at the unit price bid for the work.
 Reinforcement bars designated (E) shall be epoxy coated.

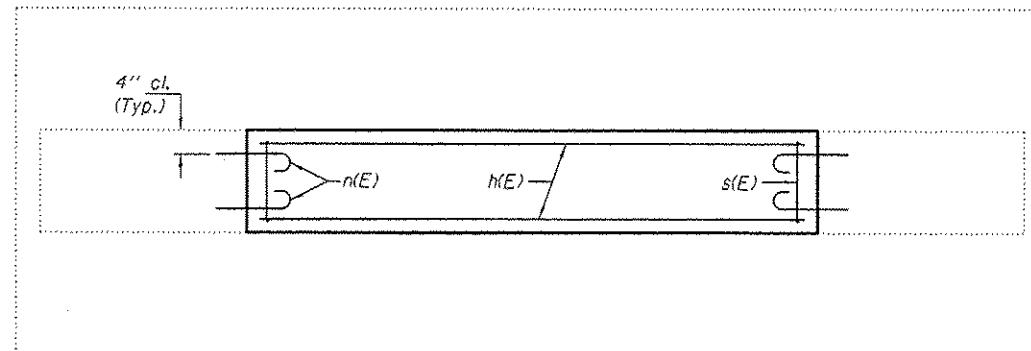


SECTION B-B

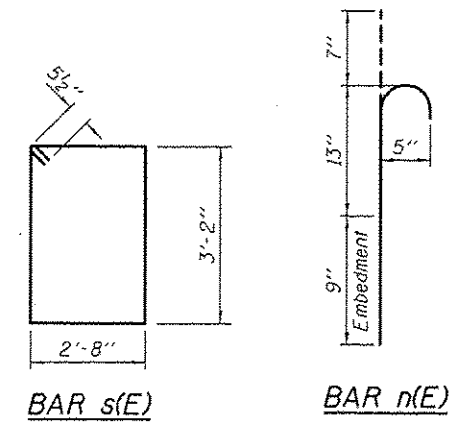


ELEVATION

* Epoxy grout n(E) bars in 9" min. holes according to Article 584 of the Standard Specifications.



SECTION A-A



BAR s(E)

BAR n(E)

BILL OF MATERIAL (2 PIERS)

Bar	No.	Size	Length	Shape
n(E)	18	#5	11'-6"	—
n(E)	56	#5	2'-5"	—
s(E)	24	#5	12'-7"	□
Concrete Structures			Cu. Yd.	9.2
Reinforcement Bars, Epoxy Coated			Pound	670



DESIGNED - VHV
 CHECKED - DAB
 DRAWN - balivo
 CHECKED - VHV DAB

EXAMINED *David A. Puzev*
 ACTING ENGINEER OF STRUCTURAL SERVICES
 PASSED *David Carl Puzev*
 ACTING ENGINEER OF BRIDGES AND STRUCTURES

DATE - JUNE 23, 2014

STATE OF ILLINOIS
 DEPARTMENT OF TRANSPORTATION

CRASHWALL EXTENSION PIERS 1 & 3
 SN 026-0055

SHEET NO. 1 OF 1 SHEETS

F.A.I. RTE.	SECTION	COUNTY	TOTAL SHEETS	SHEET NO.
70	(26-5,26-5-1, 25-1)R	FAYETTE	92	67
CONTRACT NO. 74469			ILLINOIS FED. AID PROJECT	