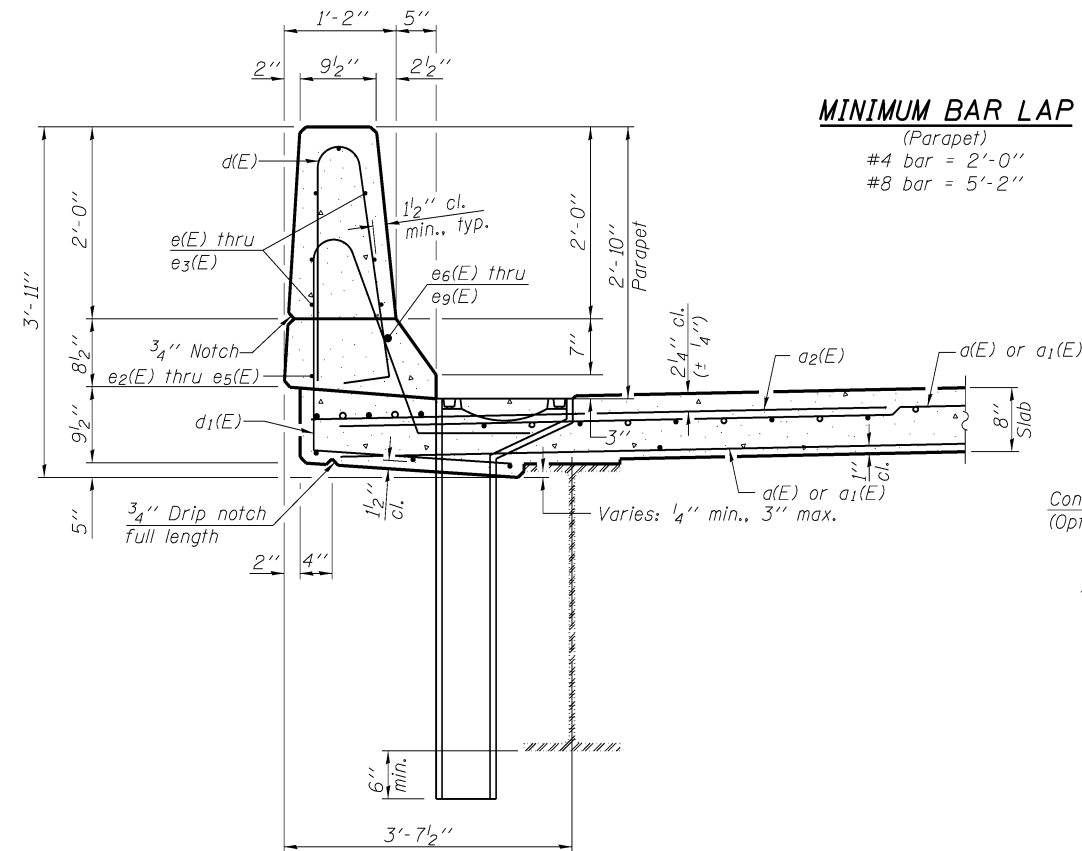


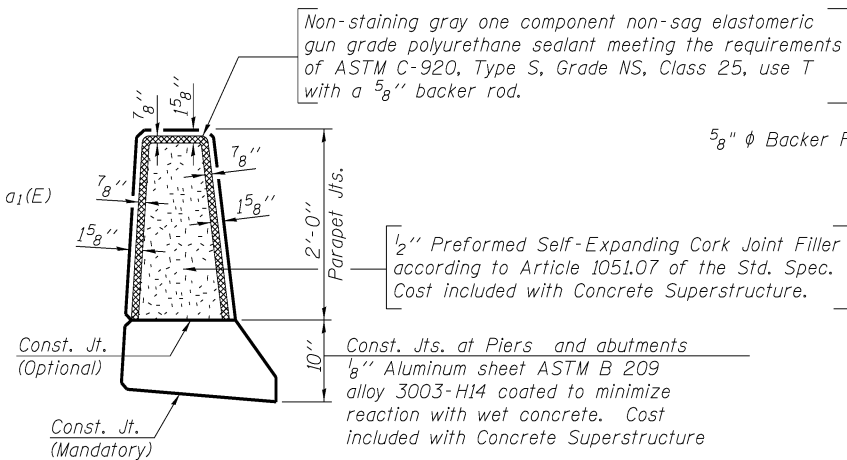
INSIDE ELEVATION OF PARAPET



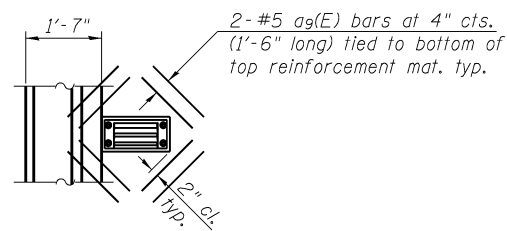
SECTION THRU PARAPET

MINIMUM BAR LAP

(Parapet)
 #4 bar = 2'-0"
 #8 bar = 5'-2"



PARAPET JOINT DETAILS



PLAN AT DRAINAGE SCUPPERS

Note:
 Cut longitudinal reinforcement to clear drainage scuppers.
 See sheet 1 of 24 for scupper spacing.

BAR d(E)

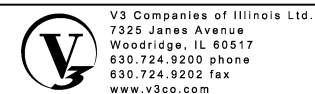
BAR d1(E)

BAR v(E)

SUPERSTRUCTURE BILL OF MATERIAL

Bar	No.	Size	Length	Shape
a(E)	598	#5	18'-4"	—
a1(E)	598	#5	15'-8"	—
a2(E)	314	#6	6'-6"	—
a3(E)	4	#5	16'-8"	—
a4(E)	4	#5	19'-6"	—
a9(E)	32	#5	1'-6"	—
b(E)	342	#5	28'-5"	—
b1(E)	70	#6	33'-7"	—
b2(E)	35	#6	41'-6"	—
b3(E)	310	#5	25'-10"	—
d(E)	516	#5	5'-7"	—
d1(E)	516	#5	8'-4"	—
e(E)	56	#4	18'-6"	—
e1(E)	84	#4	17'-7"	—
e2(E)	64	#4	8'-0"	—
e3(E)	32	#4	9'-7"	—
e4(E)	4	#4	37'-4"	—
e5(E)	8	#4	27'-8"	—
e6(E)	4	#8	37'-4"	—
e7(E)	8	#8	8'-0"	—
e8(E)	8	#8	29'-3"	—
e9(E)	4	#8	9'-7"	—
m(E)	16	#6	16'-10"	—
m1(E)	16	#6	19'-8"	—
m2(E)	8	#6	8'-2"	—
m3(E)	12	#6	8'-10"	—
m4(E)	16	#6	5'-8"	—
m5(E)	8	#6	3'-5"	—
m6(E)	4	#6	4'-1"	—
m7(E)	4	#6	7'-2"	—
s(E)	62	#5	7'-0"	□
s1(E)	62	#4	9'-4"	□
u(E)	74	#5	2'-9"	U
v(E)	70	#5	3'-9"	┌
Reinforcement Bars, Epoxy Coated		Pound	62,640	
Concrete Superstructure		Cu. Yds.	309.2	
Bridge Deck Grooving		Sq. Yd.	768	
Protective Coat		Sq. Yd.	1036	

Bars indicated thus 32 x 9-#5 etc. indicates 32 lines of bars with 9 lengths per line.



USER NAME =	DESIGNED - WJV	REVISED -
PLOT SCALE =	CHECKED - CJB	REVISED -
PLOT DATE = 12-22-2011	DRAWN - WJV	REVISED -
	CHECKED - CJB	REVISED -

**STATE OF ILLINOIS
 DEPARTMENT OF TRANSPORTATION**

**PARAPET ELEVATION AND DETAILS
 STRUCTURE NO. 026-0055**

SHEET NO. 10 OF 24 SHEETS

F.A.S. RTE. 2720	SECTION (26-5,26-5-1,26-1-1)R	COUNTY Fayette	TOTAL SHEETS 92	SHEET NO. 77
			CONTRACT NO. 74469	

ILLINOIS FED. AID PROJECT