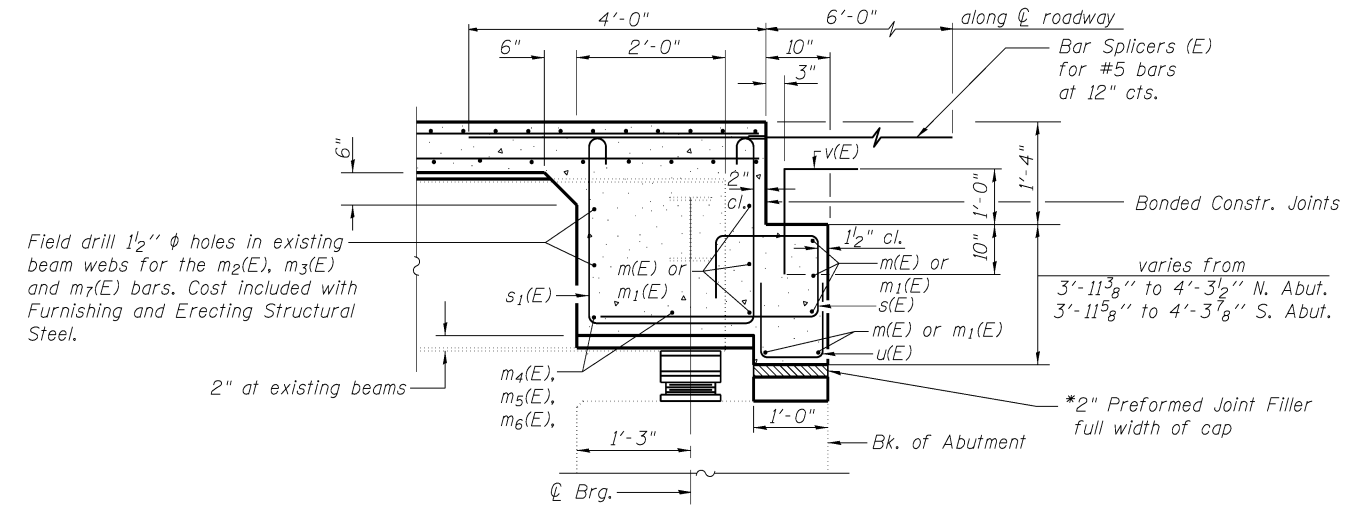


DIAPHRAGM ELEVATION AT SOUTH ABUTMENT

(Looking South, North Abutment Opposite Hand)

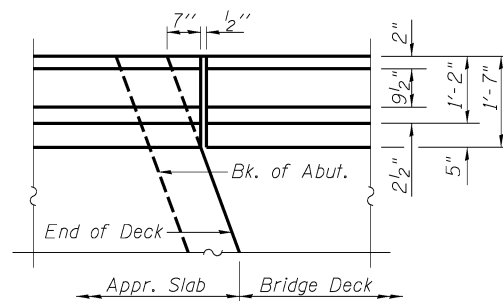
*Cost included with Concrete Superstructure



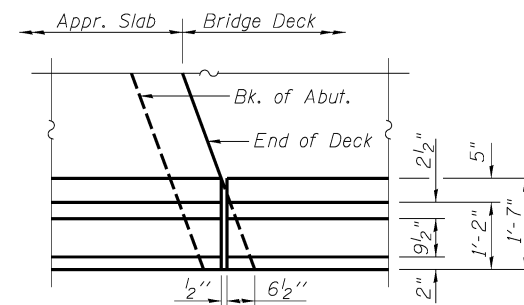
SECTION A-A

(Dimensions at Rt. L's except as noted)

*Cost included with Concrete Superstructure



DETAIL A



DETAIL B

Notes:
 Reinforcement bars in diaphragm are billed with superstructure on sheet 10 of 24.
 Bars indicated thus 2x3-#6 etc. indicates 2 lines of bars with 3 lengths per line.
 Concrete in diaphragm is included with Concrete Superstructure on sheet 10 of 24.
 For details of bars s(E), s1(E) & u(E) see sheet 10 of 24.
 The s(E) and s1(E) bars shall be placed parallel to the beams. Spacing for these bars shall be at right angles to the beams.
 U.N.O. = Unless Noted Otherwise.
 Existing steel end diaphragms are to remain in place and are to be cleaned according to Power Tool Cleaning (SSPC SP-3 Modified). Cost included with Furnishing and Erecting Structural Steel.



USER NAME =	DESIGNED - WJV	REVISIONS -
	CHECKED - CJB	REVISIONS -
PLOT SCALE =	DRAWN - WJV	REVISIONS -
PLOT DATE = 12-22-2011	CHECKED - CJB	REVISIONS -

**STATE OF ILLINOIS
 DEPARTMENT OF TRANSPORTATION**

**DIAPHRAGM DETAILS
 STRUCTURE NO. 026-0055**

SHEET NO. 12 OF 24 SHEETS

F.A.S. RTE.	SECTION	COUNTY	TOTAL SHEETS	SHEET NO.
2720	(26-5,26-5-1,26-1-1)R	Fayette	92	79
CONTRACT NO. 74469				

ILLINOIS FED. AID PROJECT