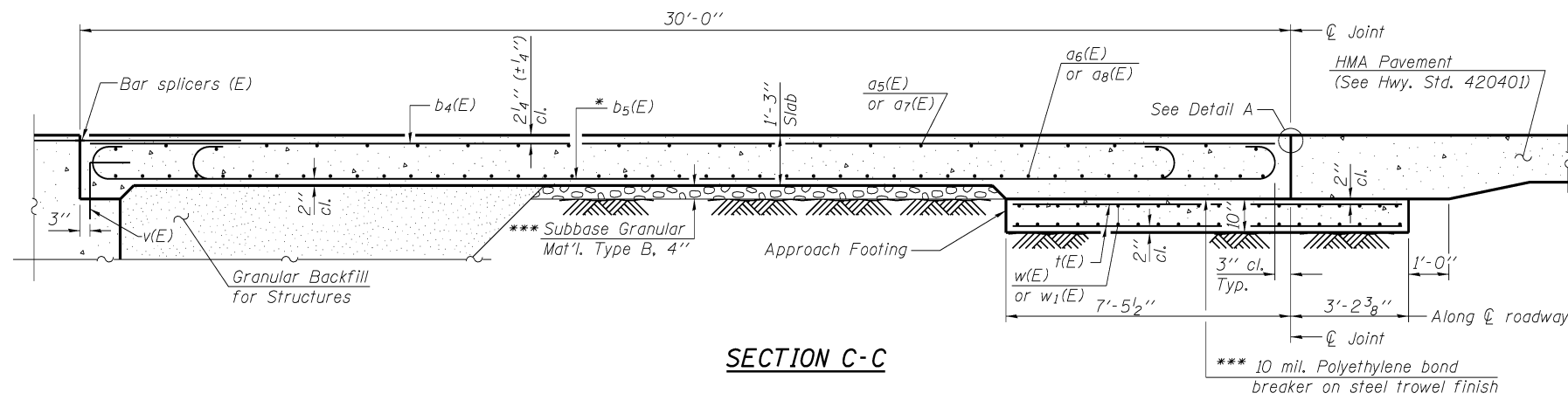
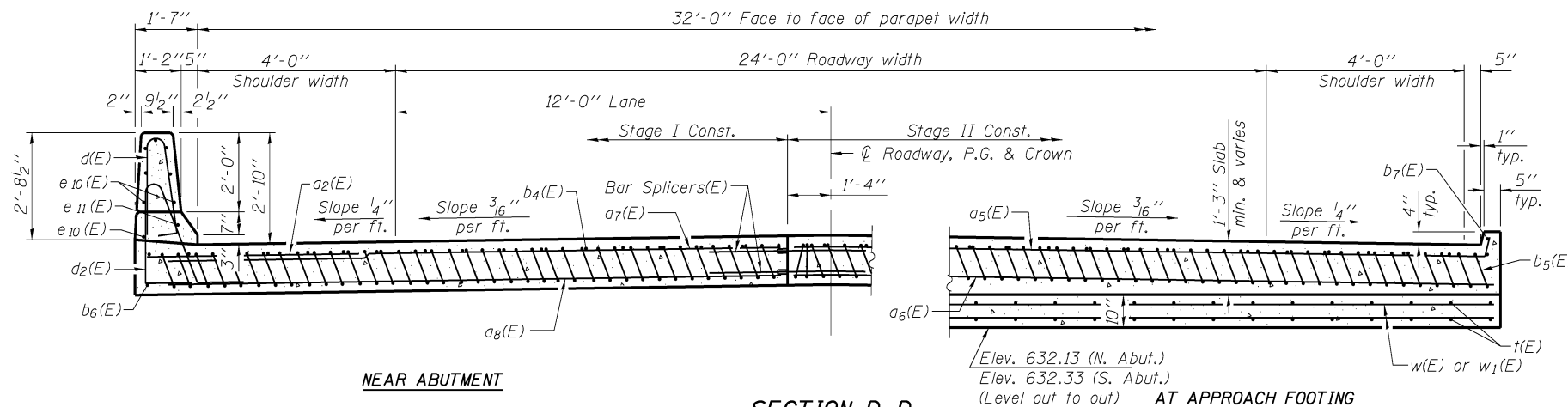


Notes:
 See sheet 13 of 24 for Detail A.
 Approach slab and parapet concrete shall be paid for as Concrete Superstructure.
 Approach footing concrete shall be paid for as Concrete Structures.
 Reinforcement shall be paid for as Reinforcement Bars, Epoxy Coated.
 For v(E) bar details, see sheet 10 of 24.
 The approach footing maximum applied service bearing pressure (Q_{max}) = 2.0 ksf.
 For bar splicer details, see sheet 21 of 24.
 Cost of excavation for approach footing included with Concrete Structures.
 For Granular Backfill for Structures and drainage treatment details, see sheet 2 of 24.
 For additional parapet details, see sheet 10 of 24.



SECTION C-C

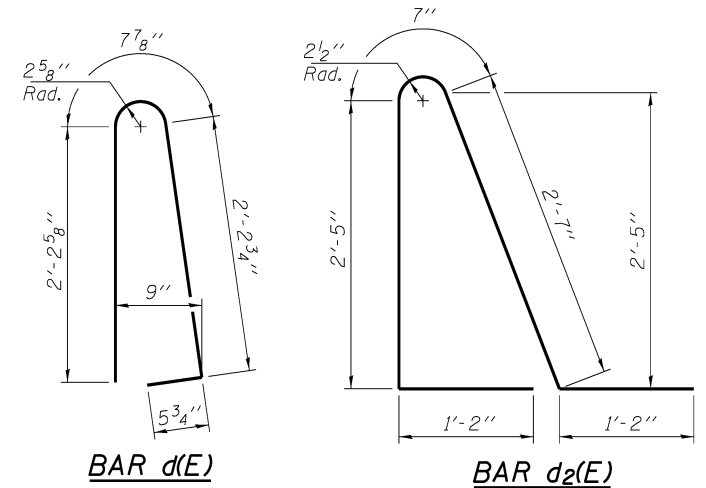


NEAR ABUTMENT

SECTION D-D

(See Plan for dimensions not shown)

AT APPROACH FOOTING

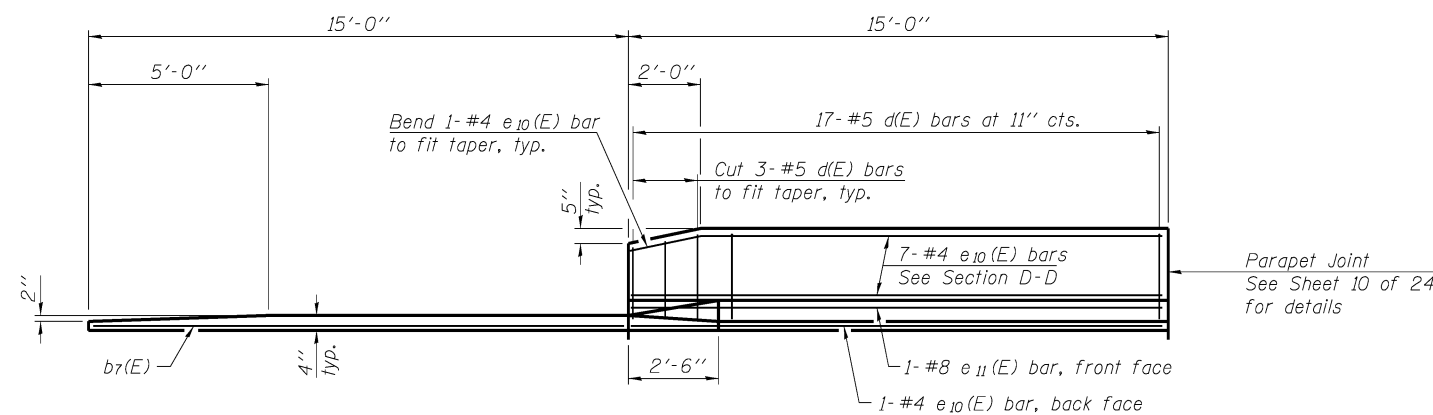


BAR d(E)

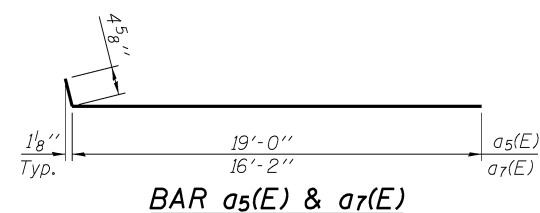
BAR d2(E)

* Tilt #9 b5(E) bars as required to maintain clearance.

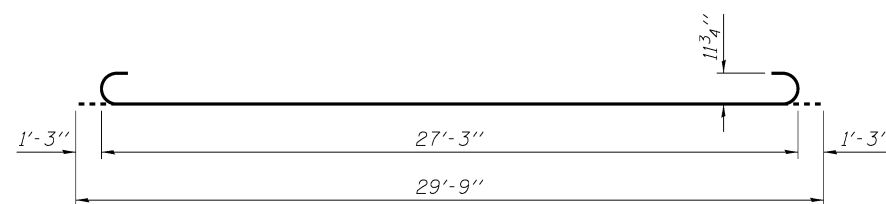
*** Cost included with Concrete Superstructure.



VIEW E-E



BAR a5(E) & a7(E)



BAR b5(E)

**TWO APPROACHES
BILL OF MATERIAL**

Bar	No.	Size	Length	Shape
a2(E)	48	#6	6'-6"	—
a5(E)	50	#4	19'-5"	—
a6(E)	92	#5	19'-1"	—
a7(E)	50	#4	16'-7"	—
a8(E)	92	#5	16'-3"	—
b4(E)	56	#4	29'-8"	—
b5(E)	162	#9	29'-9"	U
b6(E)	4	#4	14'-8"	—
b7(E)	4	#4	14'-8"	—
d(E)	68	#5	5'-7"	U
d2(E)	68	#5	7'-11"	U
e10(E)	32	#4	14'-8"	—
e11(E)	4	#8	14'-8"	—
f(E)	136	#4	10'-4"	—
w(E)	80	#5	19'-1"	—
w1(E)	80	#5	16'-3"	—
Concrete Superstructure		Cu. Yd.	110.0	
Concrete Structures		Cu. Yd.	22.3	
Reinforcement Bars, Epoxy Coated		Pound	27,960	
Bridge Deck Grooving		Sq. Yd.	200	
Protective Coat		Sq. Yd.	246	

There are 3890 pounds of Reinforcement Bars in the substructure and 24,070 pounds of Reinforcement bars in the superstructure.

(Sheet 2 of 2)



USER NAME =
 PLOT SCALE =
 PLOT DATE = 12-22-2011

DESIGNED - WJV
 CHECKED - CJB
 DRAWN - WJV
 CHECKED - CJB

REVISED -
 REVISED -
 REVISED -
 REVISED -

**STATE OF ILLINOIS
DEPARTMENT OF TRANSPORTATION**

**BRIDGE APPROACH SLAB DETAILS - II
STRUCTURE NO. 026-0055**

SHEET NO. 14 OF 24 SHEETS

F.A.S. RTE.	SECTION	COUNTY	TOTAL SHEETS	SHEET NO.
2720	(26-5,26-5-1,26-1-1)R	Fayette	92	81
				CONTRACT NO. 74469

ILLINOIS FED. AID PROJECT