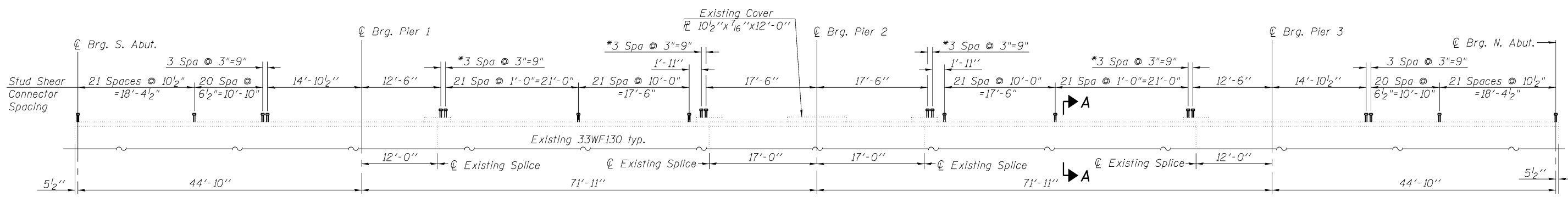


**PLAN**

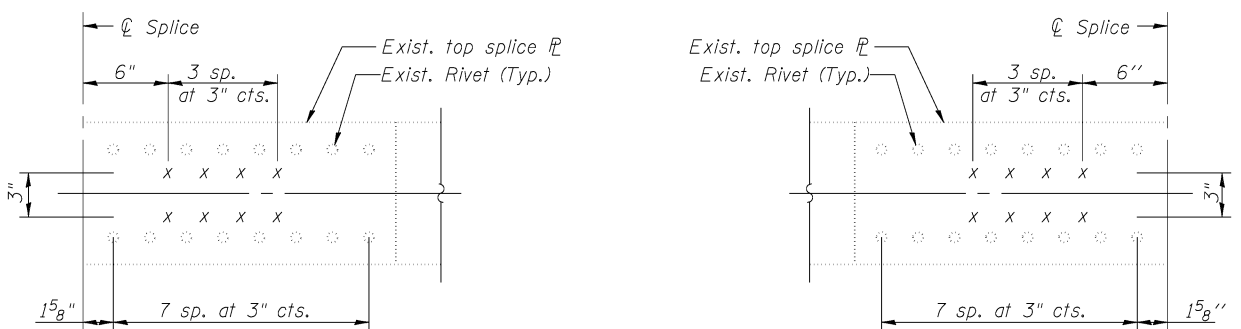
(All Existing beams are 33WF130)



\*For layout of stud shear connectors at splice, see detail below.

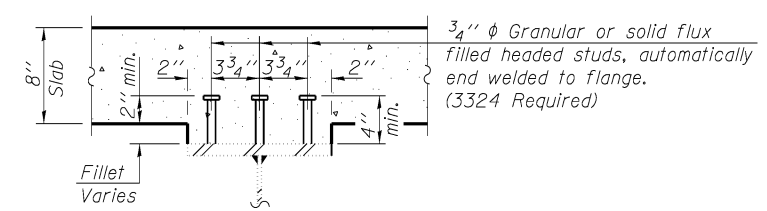
**ELEVATION**

(showing stud shear connector spacing)

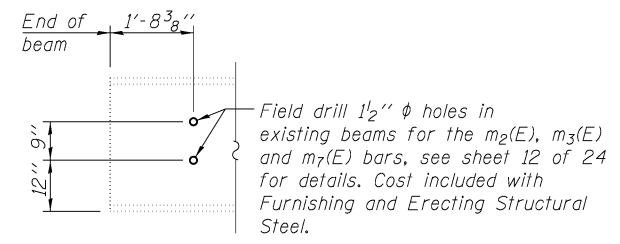


**STUD SHEAR CONNECTORS AT SPLICE**

x - Stud Shear Connectors



**SECTION A-A**



**TYP. END OF EXISTING BEAM**



USER NAME =	DESIGNED - WJV	REVISED -
PLOT SCALE =	CHECKED - CJB	REVISED -
PLOT DATE = 12-22-2011	DRAWN - WJV	REVISED -
	CHECKED - CJB	REVISED -

**STATE OF ILLINOIS  
DEPARTMENT OF TRANSPORTATION**

**FRAMING PLAN AND ELEVATION  
STRUCTURE NO. 026-0055**

SHEET NO. 15 OF 24 SHEETS

F.A.S. RTE.	SECTION	COUNTY	TOTAL SHEETS	SHEET NO.
2720	(26-5,26-5-1,26-1-1)R	Fayette	92	82
CONTRACT NO. 74469				

ILLINOIS FED. AID PROJECT