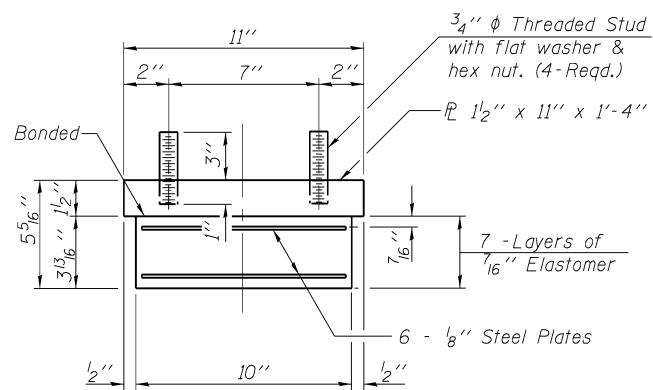
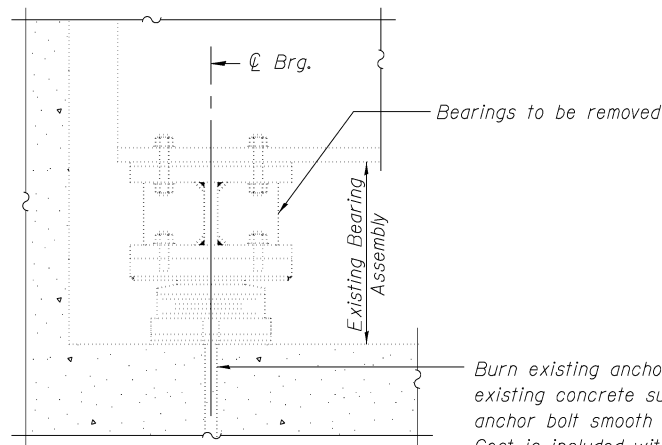


**TYPE I ELASTOMERIC EXP. BRG.**



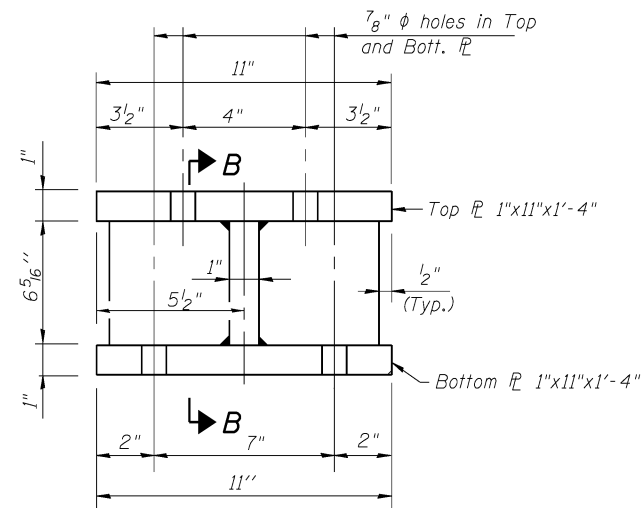
Note:  
Shim plates shall not be placed under Bearing Assembly.



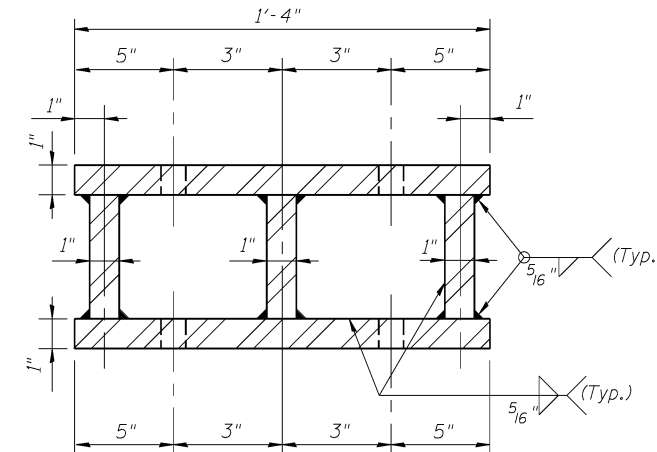
**EXISTING BEARING REMOVAL DETAIL**

**FILL PLATES**

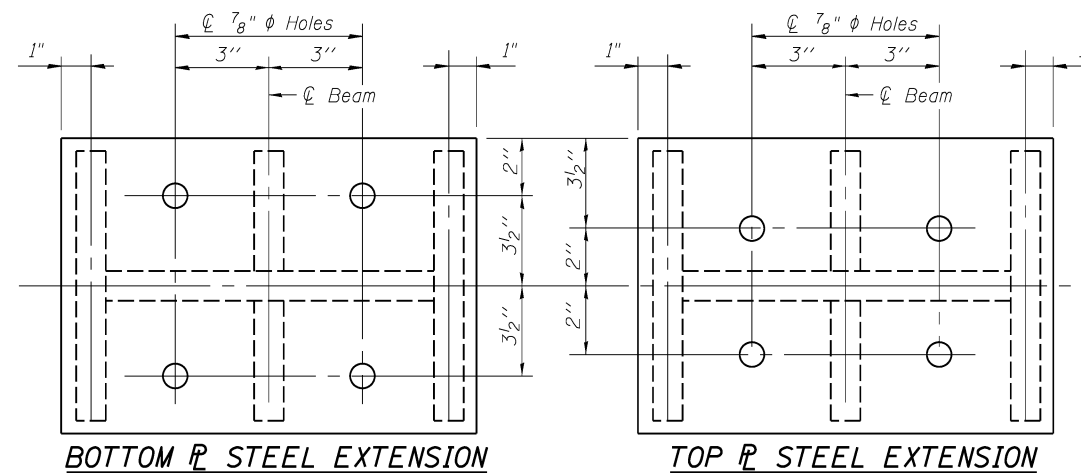
	Beam 3	Beam 4
South Abutment	$\frac{3}{16}$ "	$\frac{7}{16}$ "
North Abutment	$\frac{3}{8}$ "	$\frac{1}{8}$ "



**ELEVATION STEEL EXTENSION**



**SECTION B-B**



**JACK AND REMOVE EXISTING BEARING AT ABUTMENTS**

- Jacking and bearing removal shall be done after the removal of the existing bridge deck is complete.
- Prior to commencing any work at the bearings, the Contractor shall submit plans for jacking for approval by the Engineer. This work shall be done after existing concrete deck is removed and prior to pouring of the new concrete deck. The maximum dead load reaction per beam (weight of steel only) at North & South Abutments is 3 kips. Minimum jack capacity is 6 kips for North & South Abutments.
- Jacking shall be limited so that the maximum lift transversely between adjacent beams is  $\frac{1}{8}$ ". See Special Provision for Jack and Remove Existing Bearings.
- The new bearings and steel extensions shall be in place and the jacks shall be lowered before the new concrete deck is poured.

Notes:  
Anchor bolts shall be ASTM F1554 all-thread (or an Engineer-approved alternate material) of the grade(s) and diameter(s) specified. The corresponding specified grade of AASHTO M314 anchor bolts may be used in lieu of ASTM F1554.

Anchor bolts for side retainers shall be installed in holes drilled before or after bearings are in place. Drilled and set anchor bolts shall be installed according to Article 521.06 of the Standard Specifications. Side retainers, steel extensions and shims required for the elastomeric bearing assembly shall be included in the cost of Furnishing and Erecting Structural Steel. Prior to ordering any material, the Contractor shall verify in the field all bearing height dimensions and existing flange bolt hole locations. Two  $\frac{1}{8}$  in. adjusting shims shall be provided for each bearing in addition to all other plates or shims and placed as shown on bearing details.

**BILL OF MATERIAL**

Item	Unit	Total
Elastomeric Bearing Assembly Type I	Each	12
Anchor Bolts, 1"	Each	24
Jack and Remove Existing Bearings	Each	12
Furnishing and Erecting Structural Steel	Pound	2597