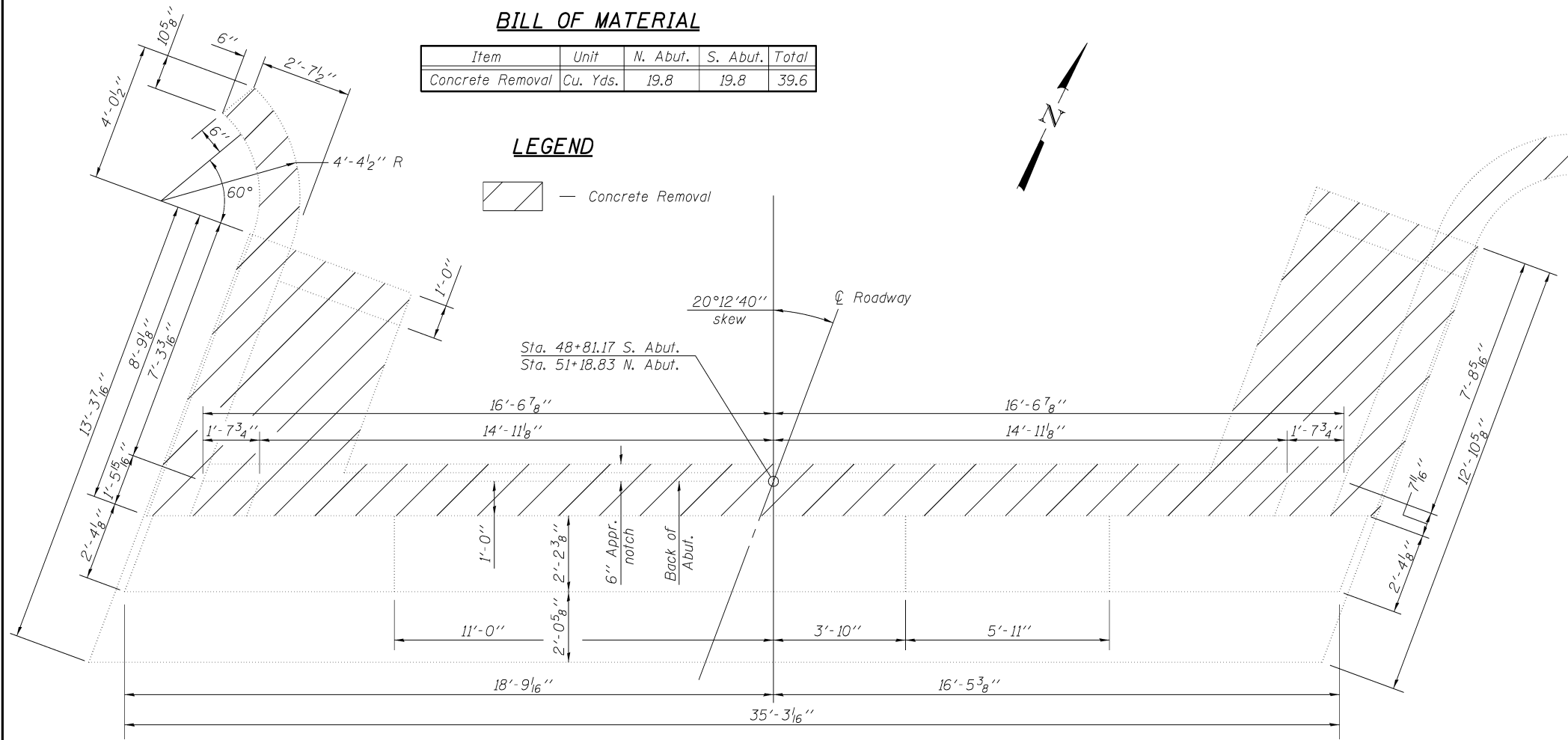


**BILL OF MATERIAL**

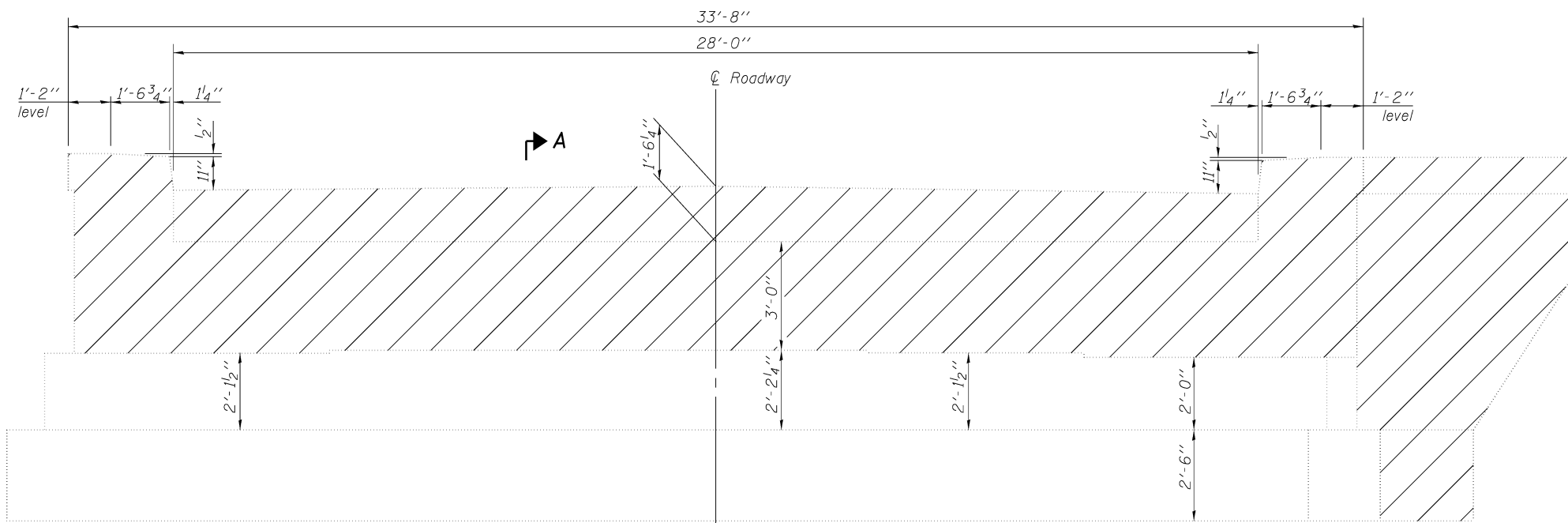
Item	Unit	N. Abut.	S. Abut.	Total
Concrete Removal	Cu. Yds.	19.8	19.8	39.6

**LEGEND**

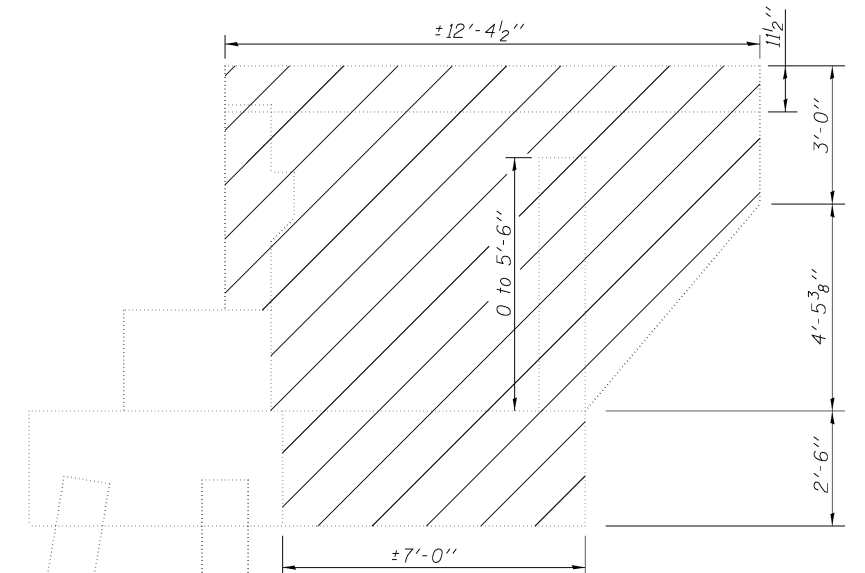
 Concrete Removal



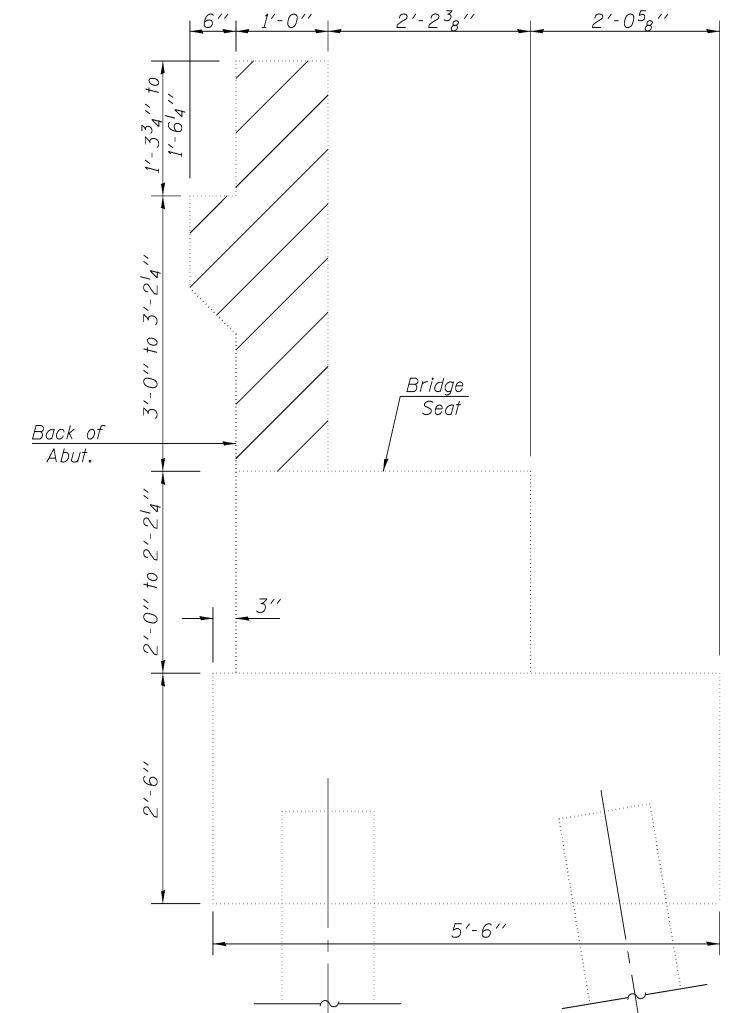
**ABUTMENT PLAN**  
(N. Abut. shown, S. Abut. similar)



**ABUTMENT ELEVATION**  
(Dimensions measured perpendicular to  $\text{\textcircled{C}}$  of Roadway)



**WINGWALL ELEVATION**  
(East Face, North Abut. shown, other wingwalls similar)



**SECTION A-A**

V3 Companies of Illinois Ltd.  
7325 Janes Avenue  
Woodridge, IL 60517  
630.724.9200 phone  
630.724.9202 fax  
www.v3co.com

USER NAME =	DESIGNED - WJV	REVISED -
PLOT SCALE =	CHECKED - CJB	REVISED -
PLOT DATE = 12-22-2011	DRAWN - WJV	REVISED -
	CHECKED - CJB	REVISED -

**STATE OF ILLINOIS  
DEPARTMENT OF TRANSPORTATION**

**ABUTMENT REMOVAL  
STRUCTURE NO. 026-0055**

SHEET NO. 18 OF 24 SHEETS

F.A.S. RTE.	SECTION	COUNTY	TOTAL SHEETS	SHEET NO.
2720	(26-5,26-5-1,26-1-1)R	Fayette	92	85
CONTRACT NO. 74469				

ILLINOIS FED. AID PROJECT