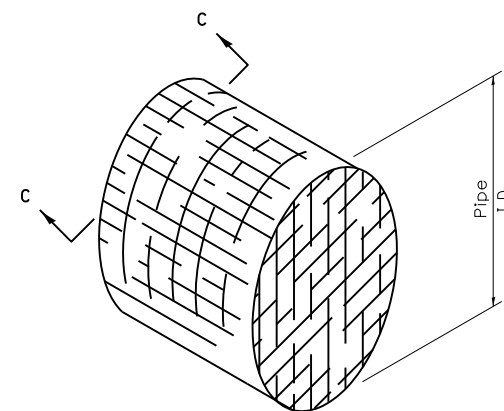
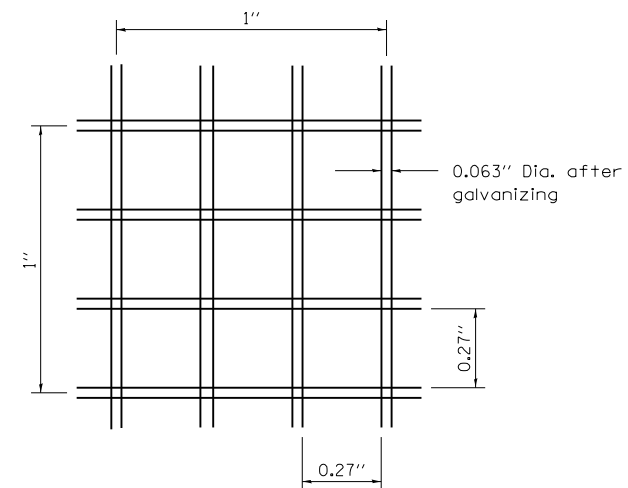


PLAN VIEW



DETAIL OF RODENT SHIELD



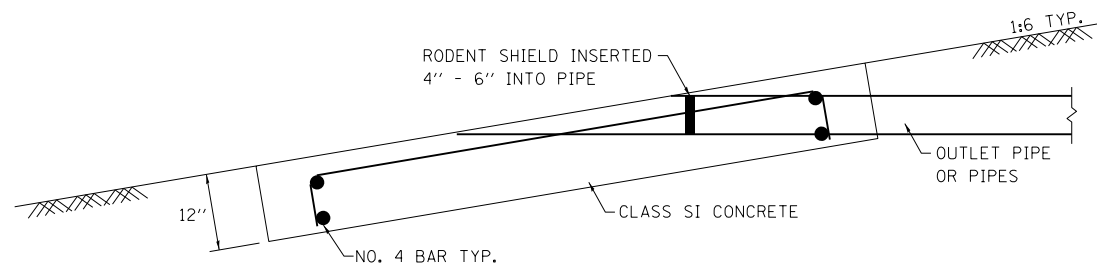
SECTION C-C

**NOTES**

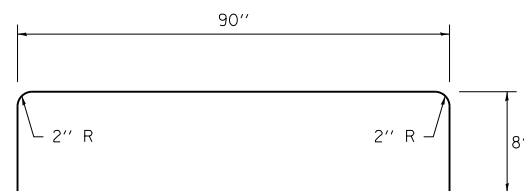
- The outlet pipe or pipes shall be located as close as possible to the center of the outlet protector.
- The last 10' of outlet pipe shall be schedule 40 PVC.
- The rebars may be cut or relocated to accommodate pipe.
- Cut outlet pipe on a bevel to match finished surface of surrounding PCC.
- Seeding Class 2 shall be considered included in the cost of the pay items.

**OUTLET PROTECTOR BILL OF MATERIALS**

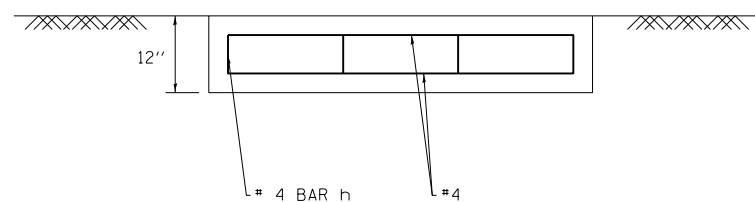
PAY ITEM	UNIT	QUANTITY (EACH OUTLET PROTECTOR)
CLASS SI CONCRETE (MISCELLANEOUS)	CU YD	1.5
REINFORCING BARS	LB	35.6
RODENT SHIELDS	EACH	1



SECTION A-A



#4 h BAR



SECTION B-B

FILE NAME =	USER NAME = steffenmk	DESIGNED -	REVISED -
ci:\pw\work\p\id\dot\steffenmk\d0310740\074598-sht-district_standards.dgn		DRAWN -	REVISED -
	PLOT SCALE = 2.0000' / in.	CHECKED -	REVISED -
	PLOT DATE = 6/7/2014	DATE -	REVISED -

STATE OF ILLINOIS  
DEPARTMENT OF TRANSPORTATION

OUTLET PROTECTOR

SCALE: N/A SHEET NO. 1 OF 1 SHEETS STA. TO STA.

DISTRICT 7 DETAIL NO. 601101A

F.A.I. RTE.	SECTION	COUNTY	TOTAL SHEETS	SHEET NO.
70	(18-46, 18-47)RS-2	CUMBERLAND	29	16
				CONTRACT NO. 74598
ILLINOIS FED. AID PROJECT				