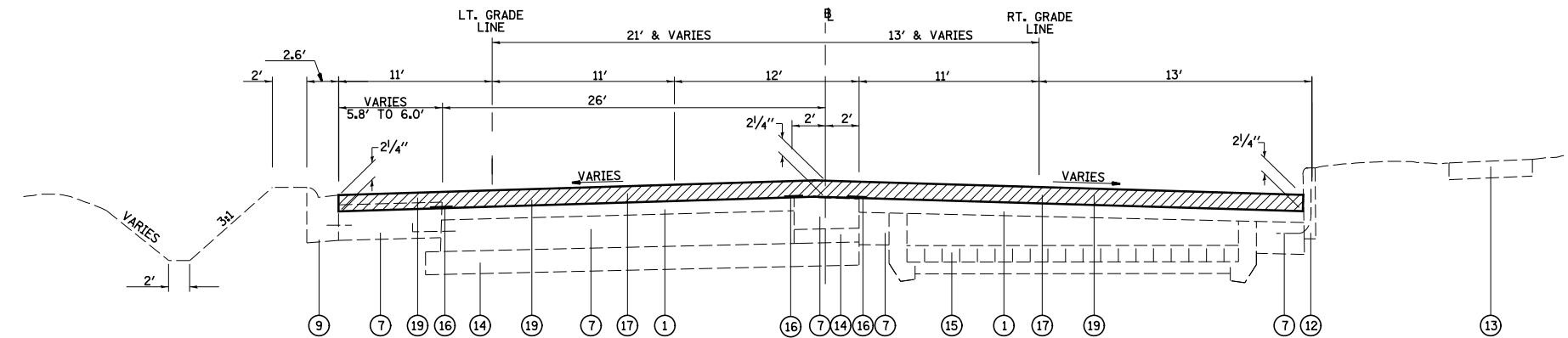
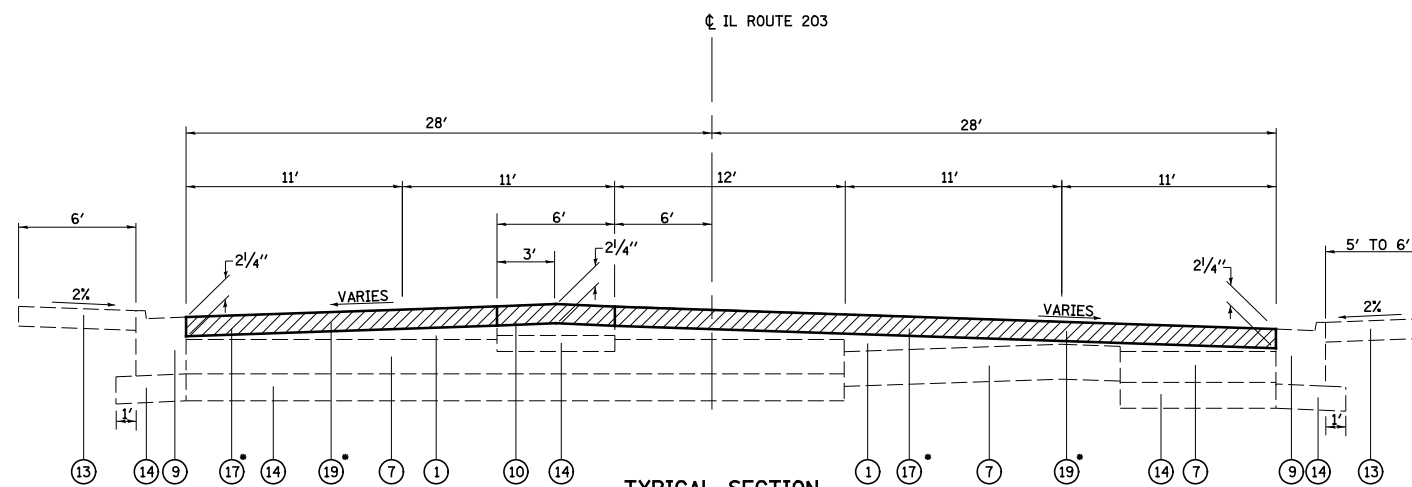


**TYPICAL SECTION**  
STA. 91+70 TO STA. 94+60



**TYPICAL SECTION**  
STA. 94+60 TO STA. 511+62.64  
STA EQUATION: STA 116+34.24 BK = STA 510+14.01 AH



**TYPICAL SECTION**  
STA. 511+62.64 TO STA. 513+51.56

• TRANSITION HOT-MIX SURFACE REMOVAL AND RESURFACING FROM 2 1/4" TO 2 1/2" FROM STA 513+46.56 TO STA 513+51.56

**LEGEND**

- ① EXISTING HOT-MIX ASPHALT SURFACE, 3" AND VARIES
- ② EXISTING CONCRETE PAVEMENT, 10"
- ③ EXISTING AGGREGATE SHOULDER
- ④ EXISTING SHOULDER, 10"
- ⑤ EXISTING CONCRETE CURB AND GUTTER, TYPE M-6.12
- ⑥ EXISTING HMA BASE COURSE, 14"
- ⑦ EXISTING PCC BASE COURSE, 9"
- ⑧ EXISTING CONCRETE CURB AND GUTTER, TYPE B-9.24
- ⑨ EXISTING CONCRETE CURB AND GUTTER, TYPE B-6.24
- ⑩ EXISTING CONCRETE MEDIAN
- ⑪ EXISTING CONCRETE MEDIAN SURFACE, 4"
- ⑫ EXISTING CONCRETE CURB
- ⑬ EXISTING CONCRETE SIDEWALK
- ⑭ EXISTING SUB-BASE GRANULAR MATERIAL
- ⑮ EXISTING BRICK PAVEMENT
- ⑯ STRIP REFLECTIVE CRACK CONTROL
- ⑰ PROPOSED HOT-MIX ASPHALT SURFACE COURSE, MIX "D", N70, VARIES 2 1/4" TO 2 1/2"
- ⑱ HOT-MIX ASPHALT SURFACE REMOVAL, 2 1/2"
- ⑲ HOT-MIX ASPHALT SURFACE REMOVAL, 2 1/4"
- ▨ HOT-MIX ASPHALT SURFACE REMOVAL, VARIES 2 1/4" TO 2 1/2"

FILE NAME =	USER NAME = betsy	DESIGNED - ESW	REVISED - 5-30-14	<b>STATE OF ILLINOIS DEPARTMENT OF TRANSPORTATION</b>	<b>TYPICAL SECTIONS</b>			F.A.P. RTE.	SECTION	COUNTY	TOTAL SHEETS	SHEET NO.
S:\Projects\409-0028-ZHY IL 203 3P\dgn\CADD Sheets\076624-sh1-typicals.dgn		DRAWN - PDB	REVISED -		594	(X-3,X-2)RS-1	MADISON	52	11			
PLOT SCALE = 48.000' / in.		CHECKED - JWS	REVISED -		<b>CONTRACT NO. 76G24</b>							
PLOT DATE = 6/5/2014		DATE - 3-22-14	REVISED -		FED. ROAD DIST. NO.	ILLINOIS FED. AID PROJECT						
				SCALE: 1"=20'	SHEET NO. 3 OF 6 SHEETS	STA.	TO STA.					