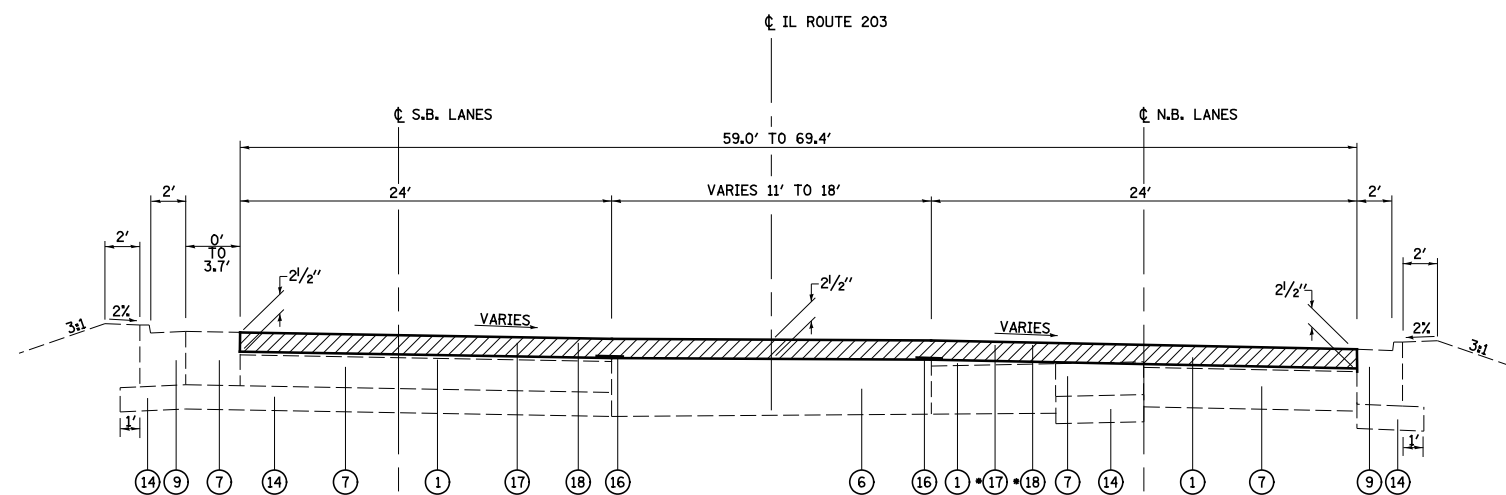
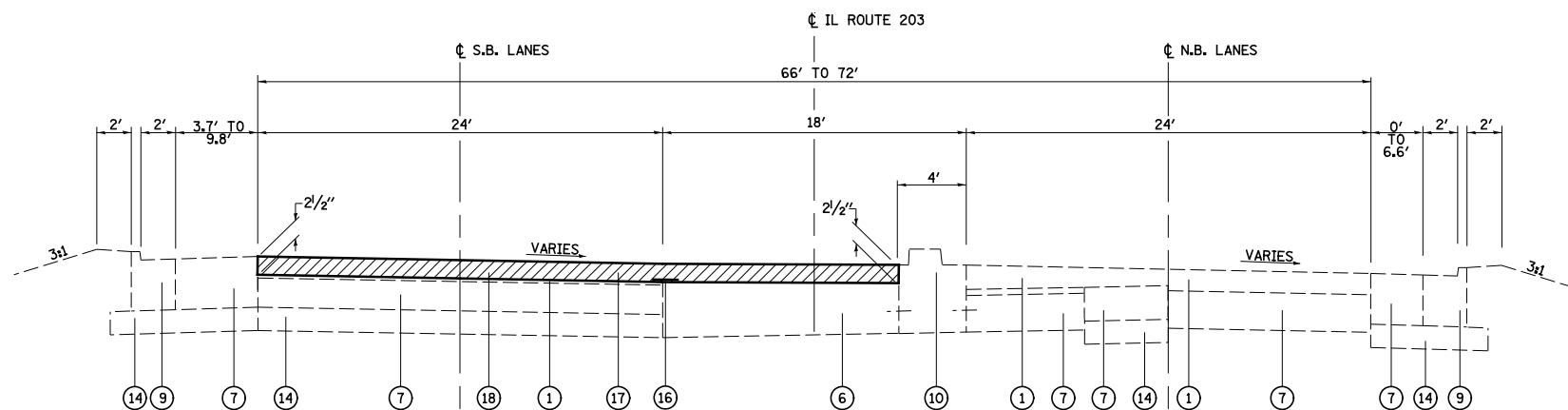


**TYPICAL SECTION**  
STA. 513+51.56 TO STA. 514+79.06



**TYPICAL SECTION**  
STA. 514+79.06 TO STA. 517+87.64

• END HOT-MIX ASPHALT REMOVAL  
AND RESURFACING NORTH BOUND  
LANES STA 517+29



**TYPICAL SECTION**  
STA. 517+87.64 TO STA. 64+62  
STA EQUATION: STA 517+89.66 BK = STA 63+78.03 AH

**LEGEND**

- ① EXISTING HOT-MIX ASPHALT SURFACE, 3" AND VARIES
- ② EXISTING CONCRETE PAVEMENT, 10"
- ③ EXISTING AGGREGATE SHOULDER
- ④ EXISTING SHOULDER, 10"
- ⑤ EXISTING CONCRETE CURB AND GUTTER, TYPE M-6.12
- ⑥ EXISTING HMA BASE COURSE, 14"
- ⑦ EXISTING PCC BASE COURSE, 9"
- ⑧ EXISTING CONCRETE CURB AND GUTTER, TYPE B-9.24
- ⑨ EXISTING CONCRETE CURB AND GUTTER, TYPE B-6.24
- ⑩ EXISTING CONCRETE MEDIAN
- ⑪ EXISTING CONCRETE MEDIAN SURFACE, 4"
- ⑫ EXISTING CONCRETE CURB
- ⑬ EXISTING CONCRETE SIDEWALK
- ⑭ EXISTING SUB-BASE GRANULAR MATERIAL
- ⑮ EXISTING BRICK PAVEMENT
- ⑯ STRIP REFLECTIVE CRACK CONTROL
- ⑰ PROPOSED HOT-MIX ASPHALT SURFACE COURSE, MIX "D", N70, VARIES 2 1/4" TO 2 1/2"
- ⑱ HOT-MIX ASPHALT SURFACE REMOVAL, 2 1/2"
- ⑲ HOT-MIX ASPHALT SURFACE REMOVAL, 2 1/4"
- ▨ HOT-MIX ASPHALT SURFACE REMOVAL, VARIES 2 1/4" TO 2 1/2"

FILE NAME =	USER NAME = betsy	DESIGNED - ESW	REVISED - 5-30-14	<b>STATE OF ILLINOIS DEPARTMENT OF TRANSPORTATION</b>	<b>TYPICAL SECTIONS</b>		F.A.P. RTE.	SECTION	COUNTY	TOTAL SHEETS	SHEET NO.
S:\Projects\409-0028-ZHY_IL_203\3P\dgn\CADD Sheets\076624-sh1-typicals.dgn		DRAWN - PDB	REVISED -		594	(X-3,X-2)RS-1	MADISON	52	12		
PLOT SCALE = 48.000' / in.		CHECKED - JWS	REVISED -		<b>CONTRACT NO. 76G24</b>						
PLOT DATE = 6/5/2014		DATE - 3-22-14	REVISED -		FED. ROAD DIST. NO.	ILLINOIS	FED. AID PROJECT				
				SCALE: 1"=20'	SHEET NO. 4 OF 6 SHEETS	STA. TO STA.					