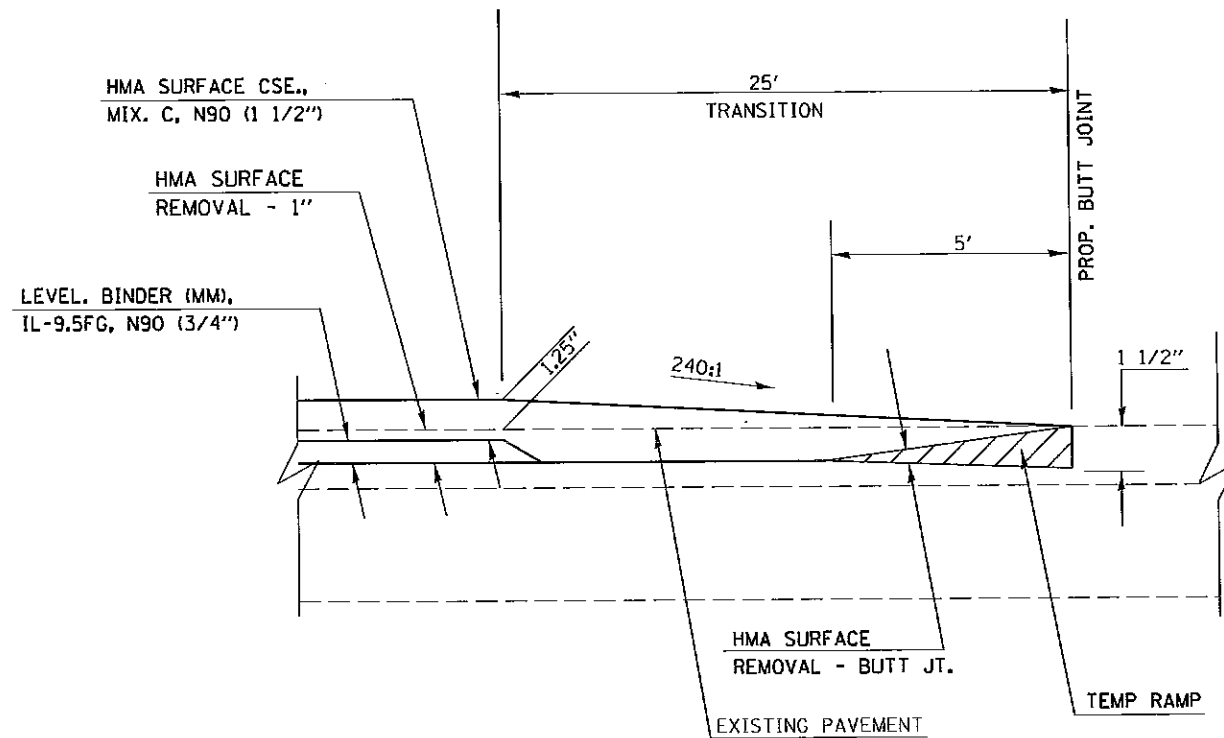


DETAIL FOR HMA SURFACE REMOVAL - BUTT JOINT



TO BE USED:
 STA. 194+00 TO STA. 193+75
 STA. 355+29 TO STA. 355+54
 STA. 358+87 TO STA. 359+12
 STA. 391+00 TO STA. 390+75

FILE NAME =	USER NAME = Staverpg	DESIGNED -	REVISED -	STATE OF ILLINOIS DEPARTMENT OF TRANSPORTATION	DETAIL - BUTT JOINT	F.A.P. RTE.	SECTION	COUNTY	TOTAL SHEETS	SHEET NO.
c:\pwork\pdat\staverpg\d0185898\78205-sh-t-plen.dgn	DRAWN -	REVISED -	14			136RS-4, 137RS-2	ALEXANDER	18	14	
PLOT SCALE = 1/8" = 1' / in.	CHECKED -	REVISED -	CONTRACT NO. 78205							
PLOT DATE = 5/14/2014	DATE -	REVISED -	ILLINOIS FED. AID PROJECT							
SCALE: _____ SHEET NO. ___ OF ___ SHEETS STA. _____ TO STA. _____										