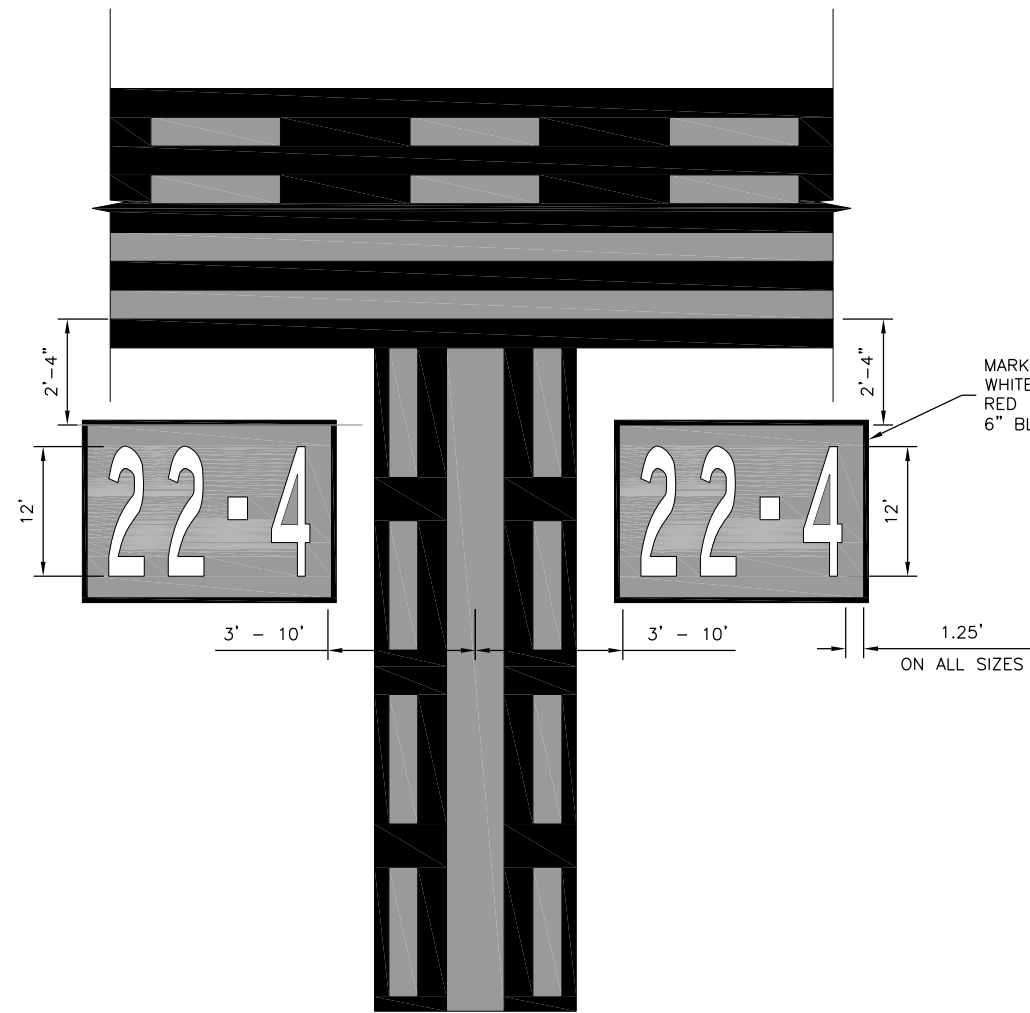
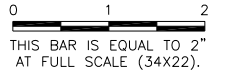


**UN053**

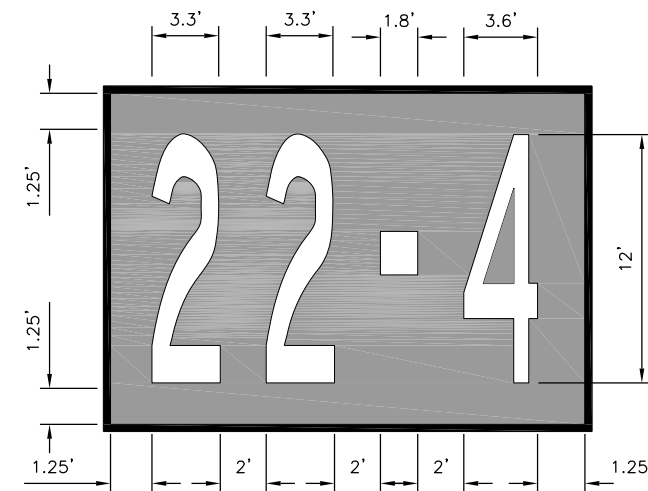
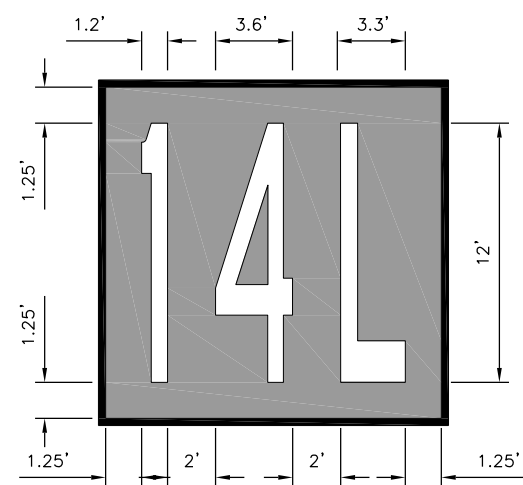
REVISIONS		
NUMBER	BY	DATE



**NOTES:**

1. THE DASH USED WITH 12' TALL NUMBERS AND LETTERS SHALL BE 2.1' TALL AND 1.8' WIDE.
2. THE NUMBERS AND LETTERS USED SHALL CONFORM IN STYLE AND APPEARANCE TO THOSE USED IN APPENDIX 1 OF THE FAA AIRPORT ADVISORY CIRCULAR 150/5340-1L.
3. ON A CURVED TAXIWAY, THE MARKING SHALL REMAIN PARALLEL TO THE HOLD LINE MARKING.
4. THE SURFACE PAINTED HOLDING POSITION MARKING SHALL BE 3' TO 10' FROM THE CENTER OF THE CENTERLINE AND AT LEAST 2' FROM THE EDGE OF THE TAXIWAY. THESE SHALL BE MEASURED TO THE CLOSEST CORNER OF THE SURFACE PAINTED HOLDING POSITION MARKING.

MARKINGS SHALL HAVE WHITE LETTERS WITH RED BACKGROUND AND 6\"/>



**SURFACE PAINTED HOLDING POSITION SIGNS**

NTS

UNIVERSITY OF ILLINOIS  
 WILLARD AIRPORT  
 SAVOY, ILLINOIS

BASE BID - REALIGN AND WIDEN TAXIWAY C  
 SURFACE PAINTED HOLD POSITION  
 MARKING DETAIL

© Copyright CMT, Inc.  
**CMT**  
 CRAWFORD, MURPHY & TILLY, INC.  
 CONSULTING ENGINEERS  
 License No. 184-000613

DESIGN BY:	CBG
DRAWN BY:	ADD
CHECKED BY:	CET
APPROVED BY:	CET
DATE:	JUNE 27, 2014
JOB No:	13059-02-00

IL PROJ. NO. CMI-4347  
 AIP PROJ. NO. 3-17-0016-XX