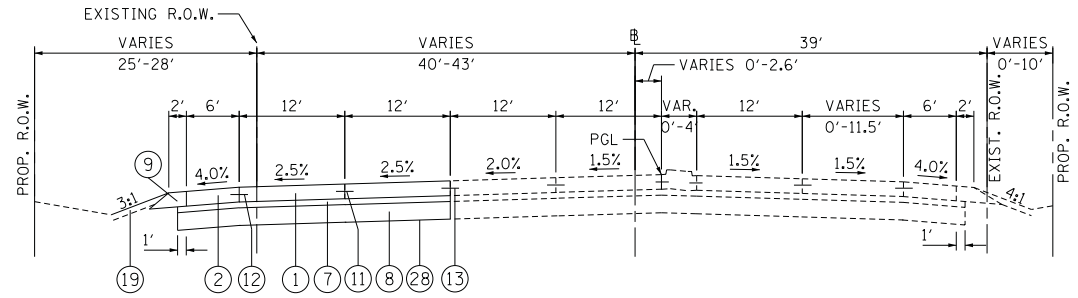


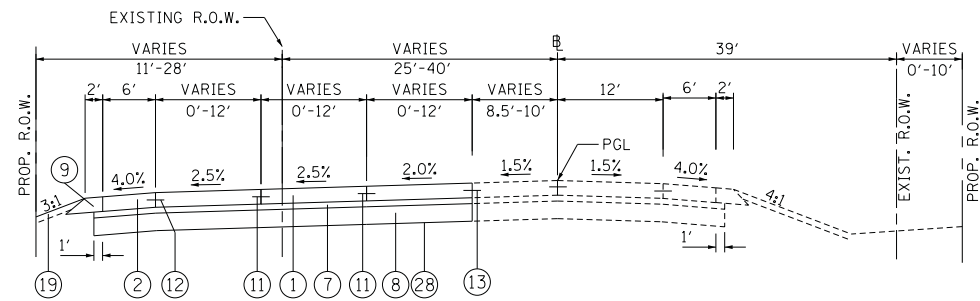
F.A.P. RTE.	SECTION	COUNTY	TOTAL SHEETS	SHEET NO.
307	130N-3 (11)	DUPAGE	141	16
STA.		TO STA.		
FED. ROAD DIST. NO.		ILLINOIS	FED. AID PROJECT	

60R46



PROPOSED TYPICAL SECTION
 POWIS ROAD

STA. 6593+06.83 TO STA. 6596+72.80



PROPOSED TYPICAL SECTION
 POWIS ROAD

STA. 6596+72.80 TO STA. 6602+50.46

LEGEND:

- 1 PORTLAND CEMENT CONCRETE PAVEMENT 10" (JOINTED)
- 2 PORTLAND CEMENT CONCRETE SHOULDERS 10"
- 7 STABILIZED SUBBASE - HOT-MIX ASPHALT 4 1/2"
- 8 AGGREGATE SUBGRADE IMPROVEMENT 12"
- 9 AGGREGATE SHOULDERS TYPE B, 10"
- 11 #8 TIE BARS, 24" LONG AT 24" C-C
 (INCLUDED IN PRICE FOR BID FOR PCC PAVEMENT - JOINTED)
- 12 #6 TIE BARS, 24" LONG AT 24" C-C
 (INCLUDED IN PRICE FOR BID FOR CURB AND GUTTER OR PCC SHOULDER)
- 13 DRILL AND GROUT BARS (#8 TIE BARS, 24" LONG AT 24" C-C)
 (INCLUDED IN PRICE FOR BID FOR PCC PAVEMENT - JOINTED)
- 17 COMBINATION CONCRETE CURB AND GUTTER, TYPE B-6.24
- 18 COMBINATION CONCRETE CURB AND GUTTER, TYPE B-6.12
- 19 SEE LANDSCAPING SHEETS FOR MIX SEEDING
- 28 GEOTECHNICAL FABRIC FOR GROUND STABILIZATION
- 29 TEMPORARY PAVEMENT
- 30 CONCRETE MEDIAN TYPE SB-6.06
- 31 #6 TIE BARS, 18" LONG AT 24" C-C
 (INCLUDED IN PRICE FOR BID FOR CONCRETE MEDIAN)

PRTYP-02

REVISIONS		ILLINOIS DEPARTMENT OF TRANSPORTATION F.A.P. ROUTE 307 (ILLINOIS ROUTE 64)
NAME	DATE	
		PROPOSED TYPICAL SECTIONS

SCALE: VERT: NONE
 HORIZ: NONE
 DATE: FEBRUARY 1, 2013

DRAWN BY: AFC
 CHECKED BY: NJH

