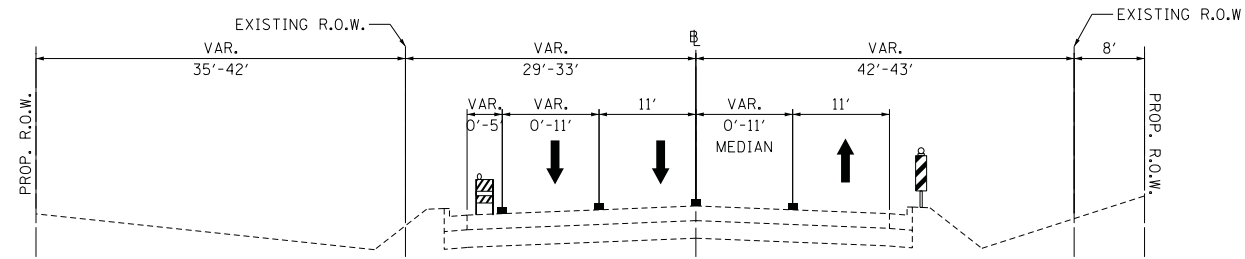
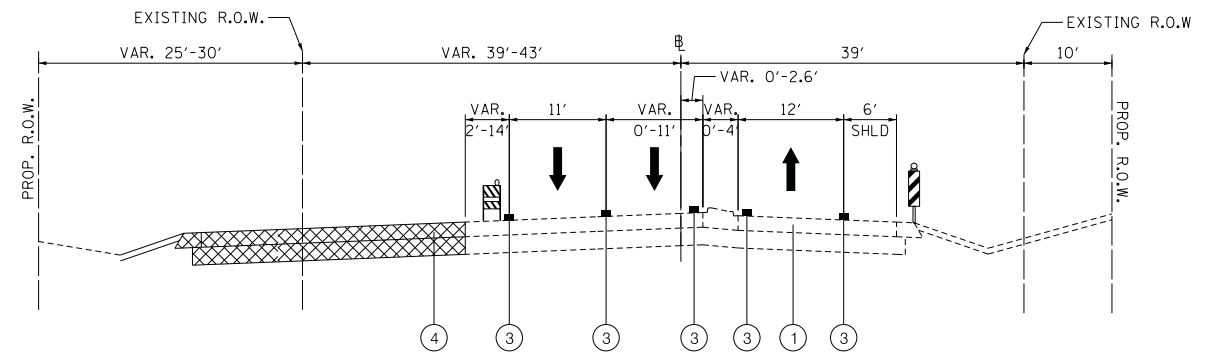


F.A.P. RTE.	SECTION	COUNTY	TOTAL SHEETS	SHEET NO.
307	130N-3 (11)	DUPAGE	141	32
STA.		TO STA.		
FED. ROAD DIST. NO.		ILLINOIS	FED. AID PROJECT	

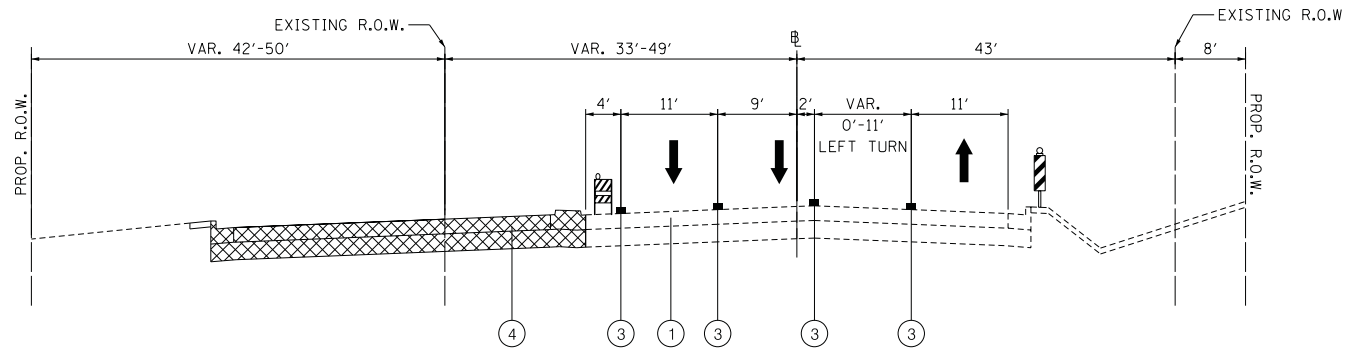
60R46



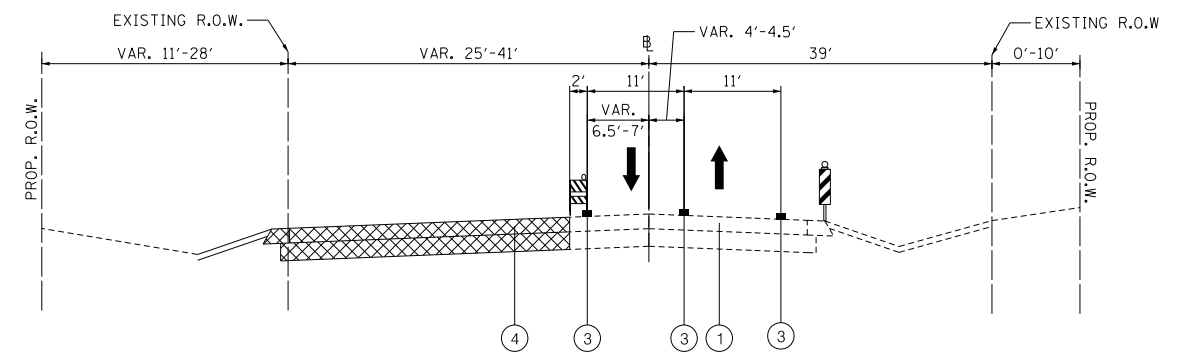
CONSTRUCTION STAGING TYPICAL SECTION  
 POWIS ROAD, STAGE 1  
 STA. 6579+81.37 TO STA. 6584+09.59



CONSTRUCTION STAGING TYPICAL SECTION  
 POWIS ROAD, STAGE 1  
 STA. 6593+14.32 TO STA. 6598+43.67



CONSTRUCTION STAGING TYPICAL SECTION  
 POWIS ROAD, STAGE 1  
 STA. 6584+09.59 TO STA. 6590+79.60



CONSTRUCTION STAGING TYPICAL SECTION  
 POWIS ROAD, STAGE 1  
 STA. 6598+43.67 TO STA. 6602+73.73

M.O.T. LEGEND:

- ① EXISTING PAVEMENT
- ③ TEMPORARY PAVEMENT MARKING
- ④ PROPOSED PAVEMENT
- ⊗ WORK ZONE

REVISIONS	
NAME	DATE

ILLINOIS DEPARTMENT OF TRANSPORTATION  
 F.A.P. ROUTE 307 (ILLINOIS ROUTE 64)  
 SUGGESTED STAGES OF  
 CONSTRUCTION AND  
 TRAFFIC CONTROL  
 TYPICAL SECTIONS - STAGE 1  
 SCALE: VERT: NONE  
 HORIZ: NONE  
 DATE: FEBRUARY 1, 2013  
 DRAWN BY: AFC  
 CHECKED BY: NJH

