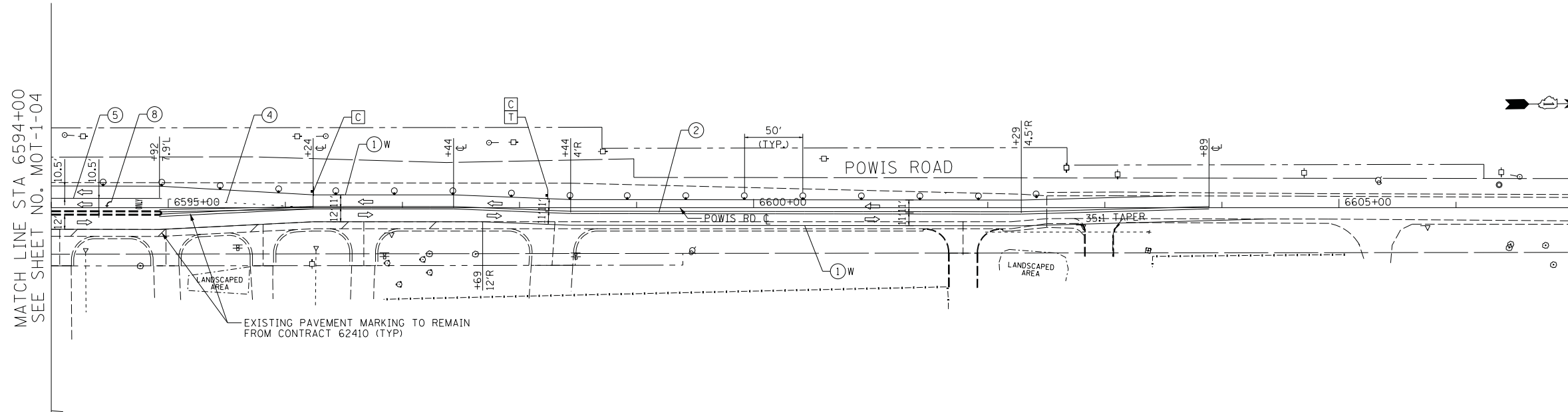


F.A.P. RTE.	SECTION	COUNTY	TOTAL SHEETS	SHEET NO.
307	130N-3 (11)	DUPAGE	141	36
STA.	TO STA.			
FED. ROAD DIST. NO.	ILLINOIS	FED. AID PROJECT		

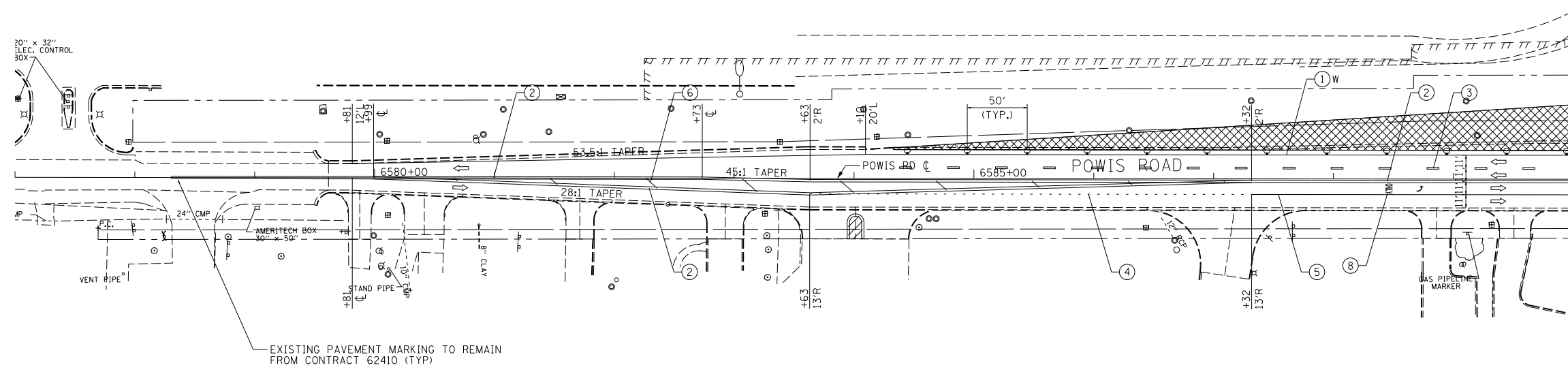
60R46



- LEGEND:**
- WORK ZONE
 - DIRECTION OF TRAFFIC
 - TYPE I OR II BARRICADES
 - TEMPORARY CONCRETE BARRIER
 - IMPACT ATTENUATOR
 - TYPE III BARRICADES
 - 4" EDGE LINE
 - 4" DOUBLE CENTER LINE - YELLOW
 - 4" SKIP DASH LINE (30' SKIP/10' DASH) - WHITE
 - 4" SKIP DASH LINE (6' SKIP/2' DASH) - WHITE
 - 6" LANE LINE - WHITE
 - 12" DIAGONALS - YELLOW
 - 24" STOP BAR - WHITE
 - LETTERS AND SYMBOLS

- TEMPORARY INFORMATION SIGN LEGEND**
- ROAD NARROWS - 2
 - AHEAD - 1

- NOTES:**
- FINAL PAVEMENT MARKINGS SHALL BE INSTALLED ALONG POWIS ROAD. SEE PAVEMENT MARKING PLANS FOR DETAILS.



MATCH LINE STA 6594+00
SEE SHEET NO. MOT-1-04

MATCH LINE STA 6590+00
SEE SHEET NO. MOT-1-04



REVISIONS	
NAME	DATE

MOT-1-09
 ILLINOIS DEPARTMENT OF TRANSPORTATION
 F.A.P. ROUTE 307 (ILLINOIS ROUTE 64)
SUGGESTED STAGES OF CONSTRUCTION AND TRAFFIC CONTROL STAGE 1
 SCALE: VERT: NONE
 HORIZ: 1"=50'
 DATE: FEBRUARY 1, 2013
 DRAWN BY: AFC
 CHECKED BY: NJH