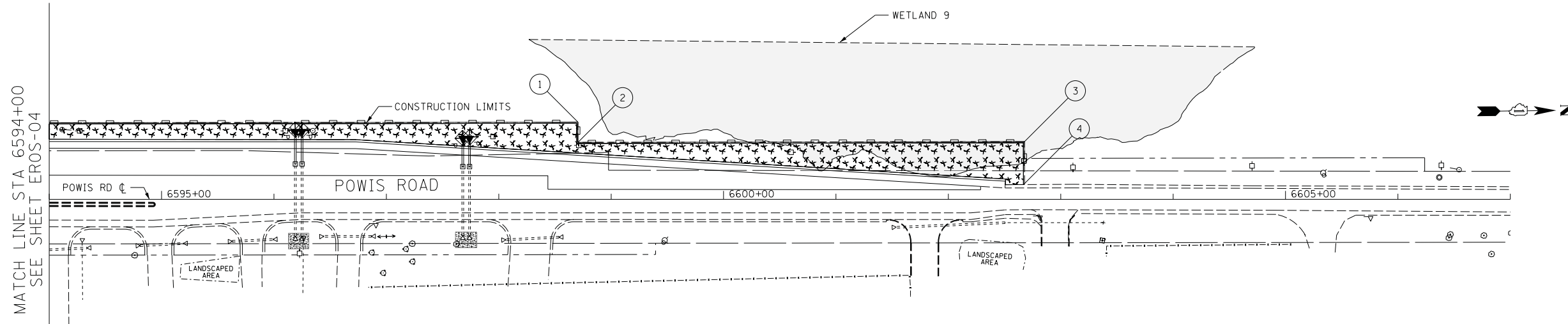


F.A.P. RTE.	SECTION	COUNTY	TOTAL SHEETS	SHEET NO.
307	130N-3 (11)	DUPAGE	141	44
STA. 6579+61		TO STA. 6602+50		
FED. ROAD DIST. NO.		ILLINOIS FED. AID PROJECT		

60R46



MATCH LINE STA 6594+00
SEE SHEET EROS-04

EROSION CONTROL LEGEND	
INLET FILTER	
PIPE PROTECTION	
PERIMETER EROSION BARRIER	
TEMPORARY EROSION CONTROL SEEDING / MULCH METHOD 2	

TEMPORARY EROSION CONTROL SEEDING

STATION	POUND	ACRE
6594+00 TO 6602+67	224	0.37
6579+61 TO 6590+00	614	1.02
SUBTOTAL	838	1.39

PERIMETER EROSION BARRIER

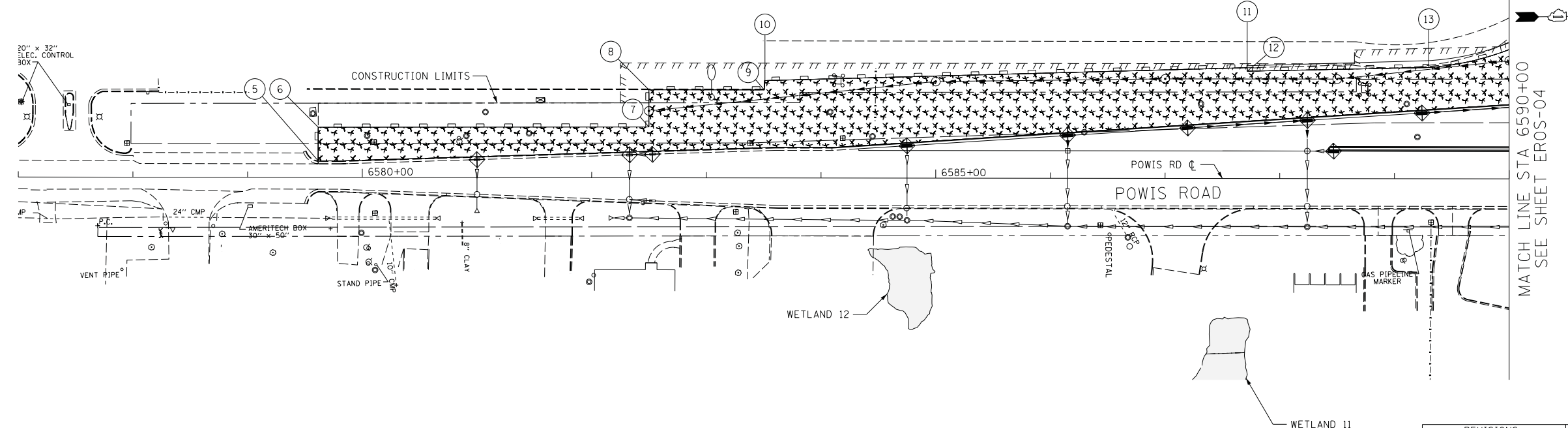
STATION	FOOT
6594+00 TO 6602+67	922
6579+61 TO 6590+00	1,113
SUBTOTAL	2,035

PERIMETER BARRIER LOCATIONS

POINT	STATION	OFFSET
1	6598+69.4	67.8' LT
2	6598+69.5	49.8' LT
3	6602+66.8	50.4' LT
4	6602+66.8	13.2' LT
5	6579+61.5	14.4' LT
6	6579+61.5	43.6' LT
7	6582+49.8	44.3' LT
8	6582+49.8	76.7' LT
9	6583+50.5	76.7' LT
10	6583+51.0	84.8' LT
11	6587+71.5	96.5' LT
12	6587+71.4	93.5' LT
13	6589+29.9	96.9' LT

INLET AND PIPE PROTECTION

STATION	DESCRIPTION	INLET AND PIPE PROTECTION
6596+19, 55' LT	FES	1
6596+25, 55' LT	FES	1
6597+68, 53' LT	FES	1
6597+74, 53' LT	FES	1
SUBTOTAL		4



MATCH LINE STA 6590+00
SEE SHEET EROS-04

INLET FILTER

STATION	DESCRIPTION	INLET FILTER
6581+00, 16' LT	IN	1
6582+33, 20' LT	IN	1
6582+53, 21' LT	IN	1
6584+75, 28' LT	IN	1
6586+15, 38' LT	IN	1
6587+20, 44' LT	IN	1
6588+47, 24' LT	IN	1
6588+24, 51' LT	IN	1
6589+24, 57' LT	IN	1
SUBTOTAL		9

EROS-09



REVISIONS	
NAME	DATE

ILLINOIS DEPARTMENT OF TRANSPORTATION
 F.A.P. ROUTE 307 (ILLINOIS ROUTE 64)

EROSION CONTROL PLAN
POWIS ROAD
STA. 6579+61 TO STA. 6602+50

SCALE: VERT: NONE
 HORIZ: 1"=50'
 DATE: FEBRUARY 1, 2013

DRAWN BY: AFC
 CHECKED BY: NJH