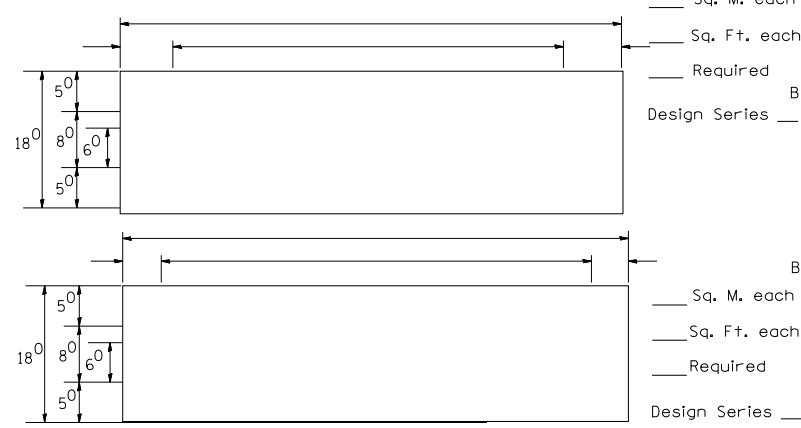


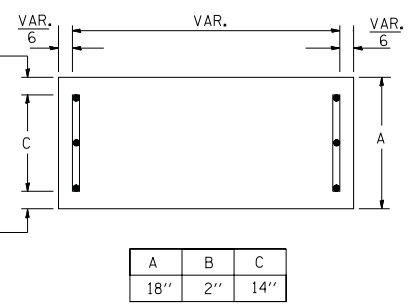
F.A.P. RTE.	SECTION	COUNTY	TOTAL SHEETS	SHEET NO.
307	130N-3 (11)	DUPAGE	141	108
STA.		TO STA.		
FED. ROAD DIST. NO.		ILLINOIS FED. AID PROJECT		

EXAMPLE, 2³ DENOTES $\frac{3''}{8}$

PANEL SIGN DESIGN TYPE 1

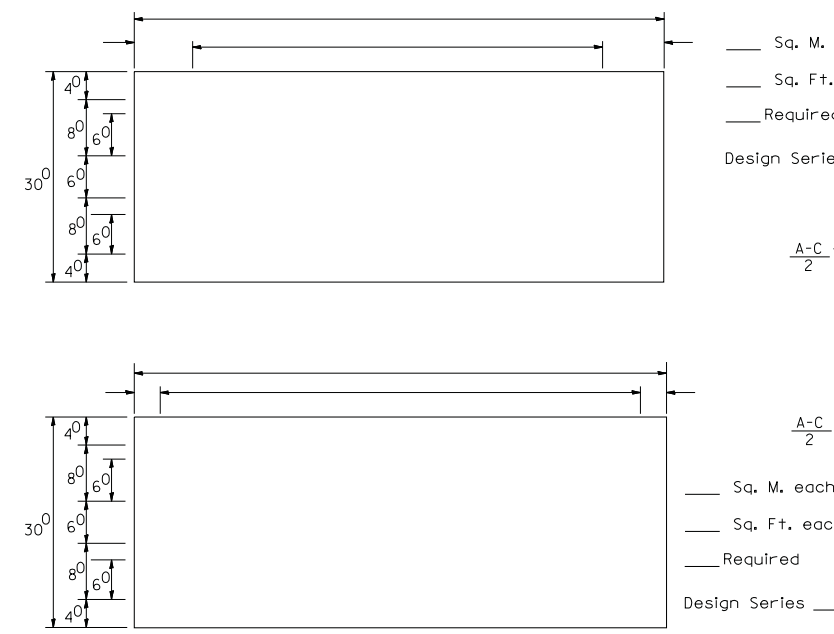


SUPPORTING CHANNELS

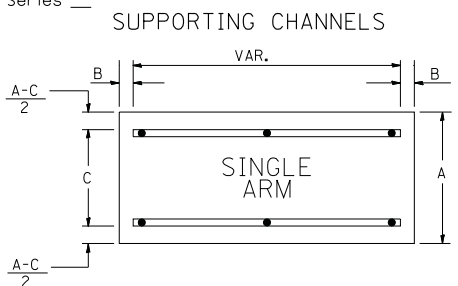


NOTE: SIGN DIMENSIONS ARE IN ENGLISH UNITS

PANEL SIGN DESIGN TYPE 2



SINGLE ARM

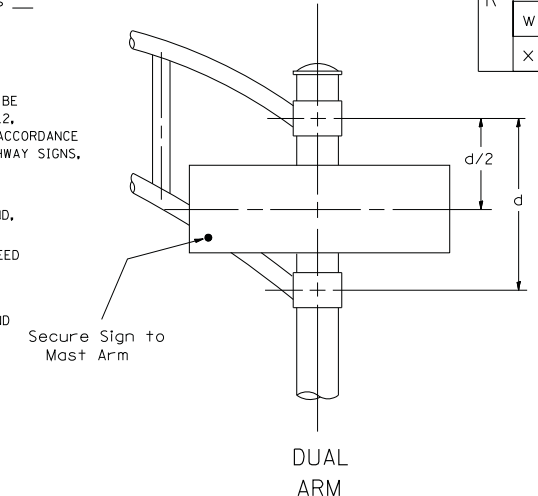


A	B	C
18"	2"	12"
30"	2"	22"

GENERAL NOTES

- WHERE MAST ARM MOUNTED STREET NAME SIGNS ARE SPECIFIED, THE MAST ARM ASSEMBLY AND POLES SHALL BE DESIGNED TO SUPPORT THE LOADINGS CALLED FOR ON STANDARDS 877001, 877002, 877006, 877011 AND 877012, AS APPLICABLE, PLUS TWO (2) SIGN PANELS 2'-6" x 8'-0" MOUNTED AS SHOWN. THE DESIGN SHALL BE IN ACCORDANCE WITH THE REQUIREMENTS OF THE CURRENT "STANDARD SPECIFICATIONS FOR STRUCTURAL SUPPORTS FOR HIGHWAY SIGNS, LUMINAIRES, AND TRAFFIC SIGNALS" AS PUBLISHED BY THE AMERICAN ASSOCIATION OF STATE HIGHWAY AND TRANSPORTATION OFFICIALS FOR 80 M.P.H. WIND VELOCITY.
- ALL SIGNS SHALL HAVE A WHITE REFLECTORIZED LEGEND AND BORDER ON A GREEN REFLECTORIZED BACKGROUND, TYPE A SHEETING.
- THE SIGN LENGTH SHOULD BE INCREASED IN 6-INCH INCREMENTS, BUT THE OVERALL LENGTH SHOULD NOT EXCEED 8'-0".
- ALL BORDERS SHALL BE 3/4" WIDE AND CORNER RADIUS SHALL BE 2-1/4".
- SIGNFIX ALUMINUM CHANNEL FRAMING SYSTEM SHALL BE USED FOR ALL SIGNS ATTACHED TO SIGNAL POLES AND POSTS. LOCAL SUPPLIERS OF THE SIGNFIX ALUMINUM CHANNEL FRAMING SYSTEM ARE:
 - * J.O. HERBERT CO. MIDLOTHIAN, VA.
 - * WESTERN REMAC INC. WOODRIDGE, IL.

PARTS LISTING:
 SIGN CHANNEL PART #HPN053 (MED. CHANNEL)
 SIGN SCREWS 1/4" x 14 x 1" H.W.H. #3
 SELF TAPPING WITH NEOPRENE WASHER
 BRACKETS PART #HPN034 (UNIVERSAL)
 CHANNEL CLAMPS WITH STAINLESS STEEL STRAPPING
 OTHER BRANDS OF MOUNTING HARDWARE ARE ACCEPTABLE, BASED UPON THE DEPARTMENT'S APPROVAL AND COMPATIBILITY WITH THE CHANNEL/BRACKET OF THE ABOVE PRODUCT.



SIGNFIX ALUMINUM CHANNEL FRAMING SYSTEM shall be used. See Note #5.

Upper Case To Lower Case Spacing Chart 8-6 Inch Series "C & D"

SERIES	SECOND LETTER																									
	acde		bhikl		f w		j		s t		v y		x		z											
	g	o	q	m	n	p	r	u																		
FIRST LETTER	A	W	X	B	C	E	G	D	O	Q	R	F	H	I	M	N	J	U	K	L	P	S	T	V	Y	Z
	1 ²	1 ⁴	1 ⁴	1 ⁵	1 ²	1 ⁴	1 ⁵	0 ⁶	1 ⁰	1 ¹	1 ⁴	0 ⁶	1 ⁰	1 ¹	1 ⁴	1 ²	1 ⁴	1 ¹	1 ²	1 ¹	1 ²	1 ²	1 ⁴	1 ²	1 ⁴	

Lower Case To Lower Case Spacing Chart 6 Inch Series "C & D"

SERIES	SECOND LETTER																									
	acde		bhikl		f w		j		s t		v y		x		z											
	g	o	q	m	n	p	r	u																		
FIRST LETTER	a	d	h	g	i	j	l	m	n	q	u	b	f	k	o	p	s	c	e	r	t	z	v	y	w	x
	1 ⁶	1 ⁷	2 ²	2 ⁴	1 ⁶	1 ⁷	1 ²	1 ⁴	1 ⁴	1 ⁵	1 ⁴	1 ⁵	1 ⁶	1 ⁷	1 ⁶	1 ⁷	1 ²	1 ⁴	0 ⁶	1 ⁰	0 ³	0 ³	0 ⁵	0 ⁶	0 ⁵	0 ⁶

Number To Number Spacing Chart 8 Inch Series "C & D"

SERIES	SECOND NUMBER																					
	0	1	2	3	4	5	6	7	8	9												
	C	D	C	D	C	D	C	D	C	D												
FIRST NUMBER	0	9	1	2	3	4	5	6	7	8	0	9	1	2	3	4	5	6	7	8	0	9
	1 ⁶	1 ⁷	1 ⁶	1 ⁷	1 ⁴	1 ⁵	1 ²	1 ⁴	1 ⁴	1 ⁵	1 ⁶	1 ⁷	1 ²	1 ⁴	1 ⁴	1 ⁵	1 ⁶	1 ⁷	1 ²	1 ⁴	1 ⁴	1 ⁵

UPPER AND LOWER CASE LETTER WIDTHS

LETTERS	6 INCH UPPER CASE LETTERS				8 INCH UPPER CASE LETTERS				LETTERS	6 INCH LOWER CASE LETTERS					
	SERIES		SERIES		SERIES		SERIES			SERIES					
	C	D	C	D	C	D	C	D		C	D				
A	3 ⁶	5 ⁰	5 ⁰	6 ⁵	a	3 ⁵	4 ²	B	3 ²	4 ⁰	4 ³	5 ³	b	3 ⁵	4 ²

NUMBER	6 INCH SERIES		8 INCH SERIES	
	C	D	C	D
1	1 ²	1 ⁴	1 ⁵	2 ⁰
2	3 ²	4 ⁰	4 ³	5 ³
3	3 ²	4 ⁰	4 ³	5 ³
4	3 ⁵	4 ³	4 ⁷	5 ⁷
5	3 ²	4 ⁰	4 ³	5 ³
6	3 ²	4 ⁰	4 ³	5 ³
7	3 ²	4 ⁰	4 ³	5 ³
8	3 ²	4 ⁰	4 ³	5 ³
9	3 ²	4 ⁰	4 ³	5 ³
0	3 ⁴	4 ²	4 ⁵	5 ⁵

REVISIONS	
NAME	DATE
CREATED	2/79
D.A.Z./D.A.G.	11/90
	6/98
CADD	10/01/00
D.A.G.	10/28/09

ILLINOIS DEPARTMENT OF TRANSPORTATION
 DISTRICT 1
 MAST ARM MOUNTED
 STREET NAME SIGNS

SCALE: NONE
 DRAWN BY BCK
 CHECKED BY DAG/DAD
 TS 2

PLOT DATE = 11/14/2009
 FILE NAME = c:\pwwork\pwwork\dtd\1081364\ts02.dgn
 USER = ts02
 PLOTTER = HP DesignJet 2400