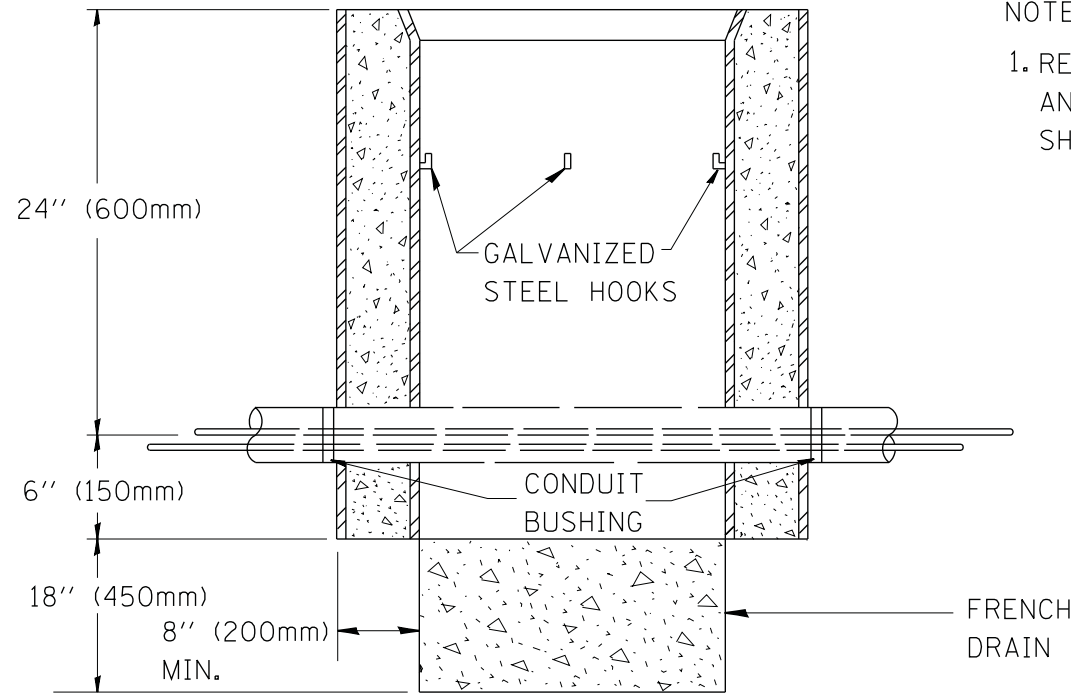


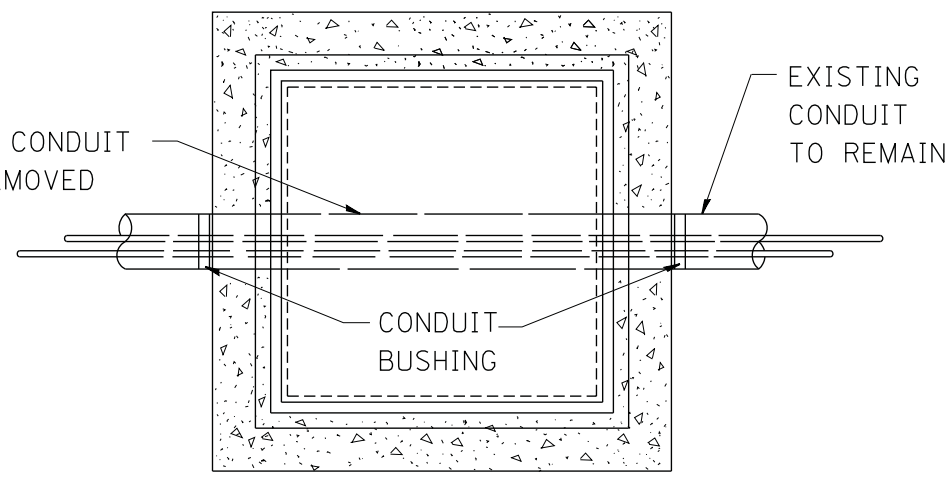
PLOT DATE = 3/7/2007
FILE NAME = K:\diststd\ts03.dgn
PLOT SCALE = 22.222' / IN.
USER NAME = bauerdl



ELEVATION

NOTES:

- 1. REMOVAL OF EXISTING CONDUIT FROM THE HANDHOLE AND THE INSTALLATION OF THE CONDUIT BUSHING SHALL BE INCIDENTAL TO THE HANDHOLE.



PLAN

DETAIL
HANDHOLE TO INTERCEPT EXISTING CONDUIT

REVISION DATE: 10/01/00