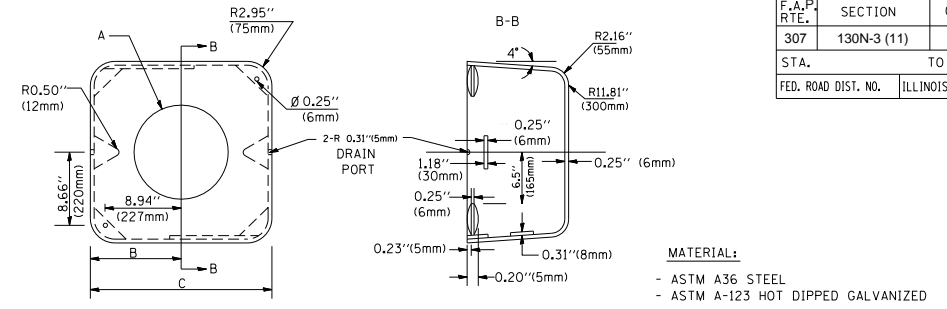
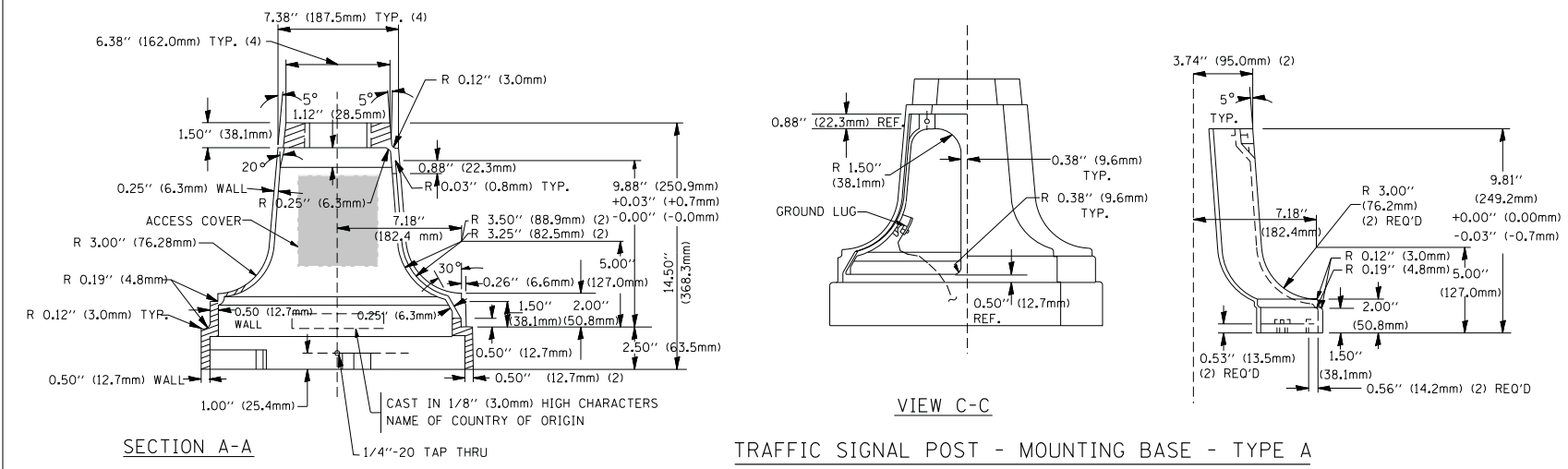
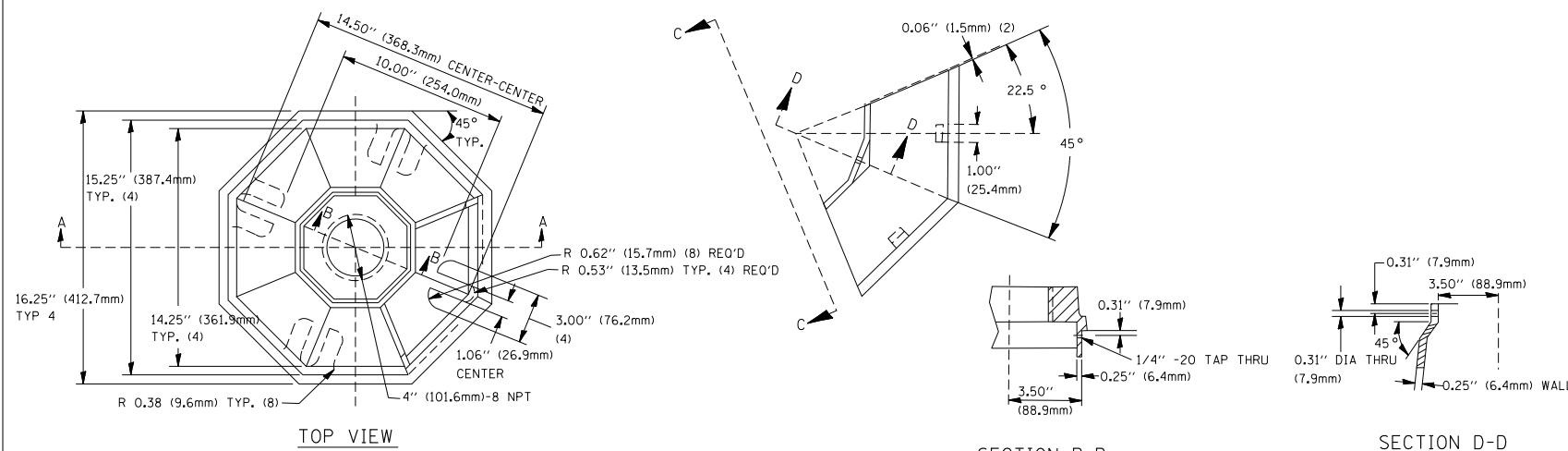
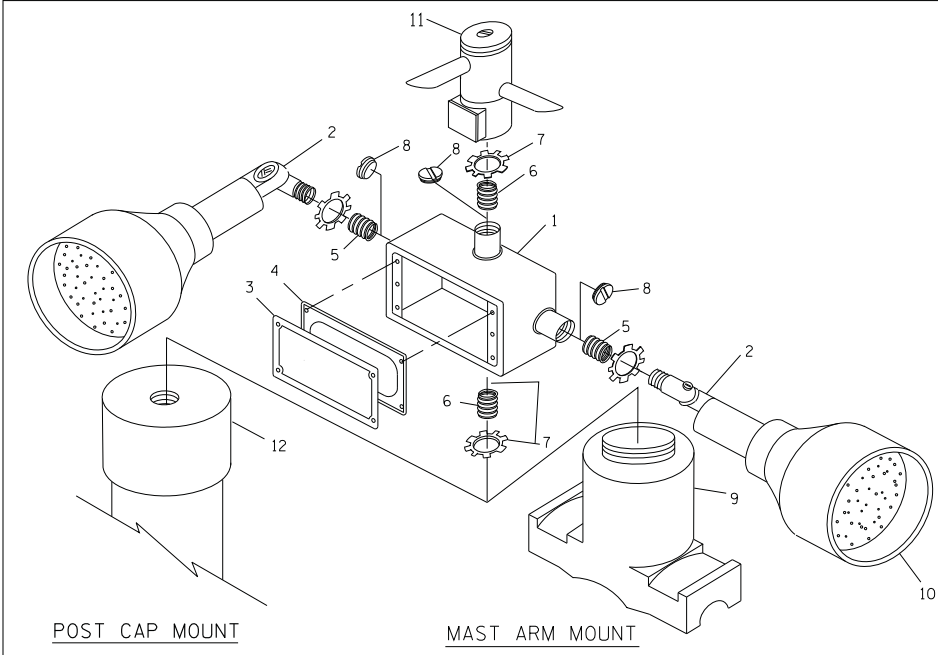
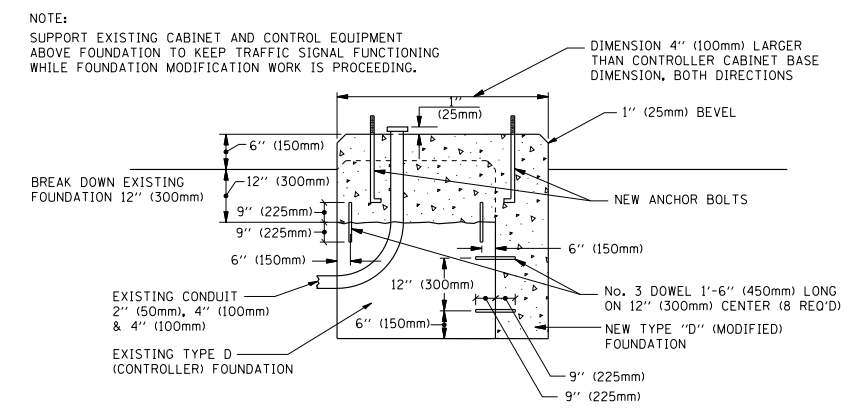


| F.A.P. RTE. | SECTION | COUNTY | TOTAL SHEETS | SHEET NO. |
|--------------|-------------|---|--------------|-----------|
| 307 | 130N-3 (11) | DUPAGE | 141 | 113 |
| STA. TO STA. | | FED. ROAD DIST. NO. ILLINOIS FED. AID PROJECT | | |



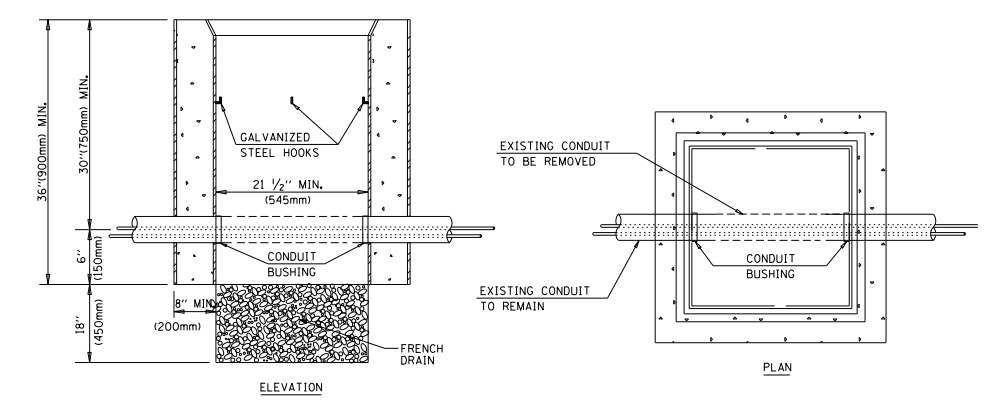
| A | B | C | HEIGHT | WEIGHT |
|--------|-----------|---|--------|--------|
| VARIES | 9.5\"/> | | | |
| VARIES | 10.75\"/> | | | |
| VARIES | 13.0\"/> | | | |
| VARIES | 18.5\"/> | | | |

- NOTES:
- DIMENSION "A" IS EQUAL TO THE DIAMETER OF THE MAST ARM POLE AT THE TOP OF THE SHROUD. THE SHROUD SHALL BE TIGHT TO THE MAST ARM POLE.
 - THE SUPPLIER SHALL VERIFY THE ABOVE DIMENSIONS BASED ON MAST ARM REQUIREMENTS.
 - THE HEIGHT OF THE SHROUD SHALL COVER THE ANCHOR BOLTS, NUTS AND MAST ARM POLE BASE.



| ITEM NO. | IDENTIFICATION |
|----------|--|
| 1 | OUTLET BOX- GALV. 21 CU. IN. (0.000344 CU-M) |
| 2 | LAMP HOLDER AND COVER |
| 3 | OUTLET BOX COVER |
| 4 | RUBBER COVER GASKET |
| 5 | REDUCING BUSHING |
| 6 | 3/4\"/> |
| 7 | 3/4\"/> |
| 8 | 3/4\"/> |
| 9 | SADDLE BRACKET - GALV. |
| 10 | 6 WATT PAR 38 LED FLOOD LAMP |
| 11 | DETECTOR UNIT |
| 12 | POST CAP [18 FT. (5.4 m) POST MIN.] |

- NOTES:
- ALL ELECTRICAL ITEMS, EXCEPT ITEMS #2 AND #11 SHALL BE ALUMINUM OR GALVANIZED
 - ITEM #1- OZ/GEDNEY FSX-1-50 OR EQUIVALENT
ITEM #2- MULBERRY CON-O-SHADE LAMP SHIELD OR EQUIVALENT
ITEM #9- "BAND-IT" SADDLE BRACKET OR EQUIVALENT
 - WHEN POST MOUNTING IS SPECIFIED, ITEM #9 SHALL NOT BE REQUIRED. THE DETECTION UNIT SHALL BE MOUNTED DIRECTLY ON TOP OF THE CAP BY DRILLING AND TAPPING A 3/4\"/>



- NOTES:
- HANDHOLE CONSTRUCTED PER STATE STANDARD 814001.
 - REMOVAL OF THE EXISTING CONDUIT FROM THE HANDHOLE AND THE INSTALLATION OF THE CONDUIT BUSHINGS SHALL BE INCIDENTAL TO THE HANDHOLE.

| REVISIONS | |
|-------------------|----------|
| NAME | DATE |
| BUREAU OF TRAFFIC | 5/30/00 |
| BUREAU OF TRAFFIC | 3/15/01 |
| BUREAU OF TRAFFIC | 11/12/01 |
| BUREAU OF TRAFFIC | 1-01-02 |
| BCK | 10/28/09 |

ILLINOIS DEPARTMENT OF TRANSPORTATION
DISTRICT ONE
STANDARD TRAFFIC SIGNAL
DESIGN DETAILS

SCALE: NONE
DESIGNED BY: BCK
CHECKED BY: DAD
SHEET 4 OF 6
TS05

PLOT DATE = 11/14/2009
FILE NAME = c:\pwworkspace\pwwork\130n-3\130n-3.dwg
USER NAME = bck
PLOTTER = HP DesignJet 5000 Series