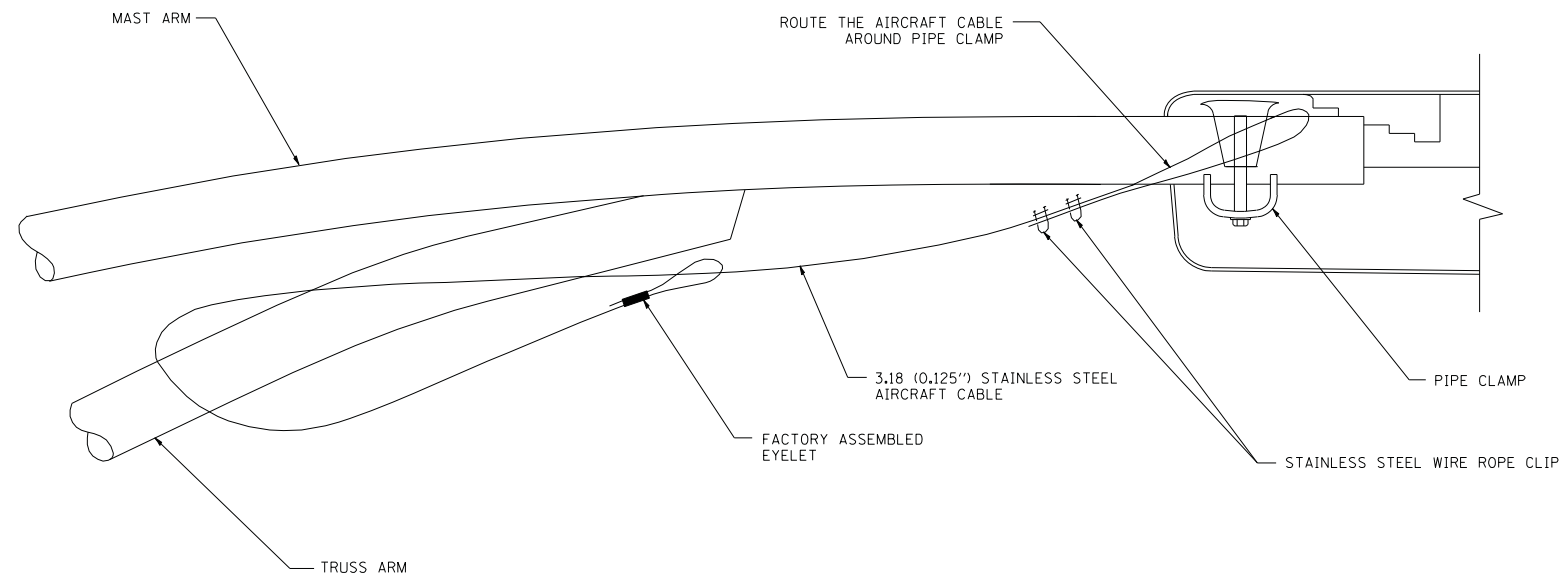
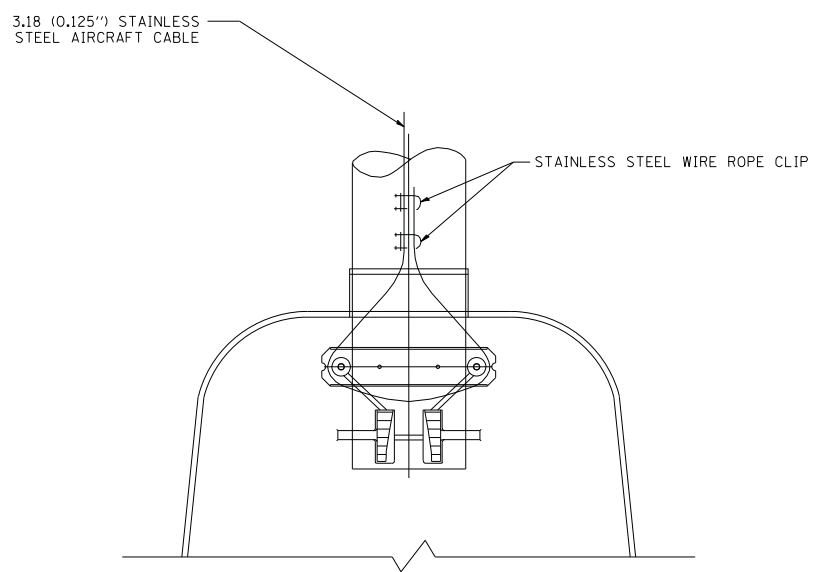


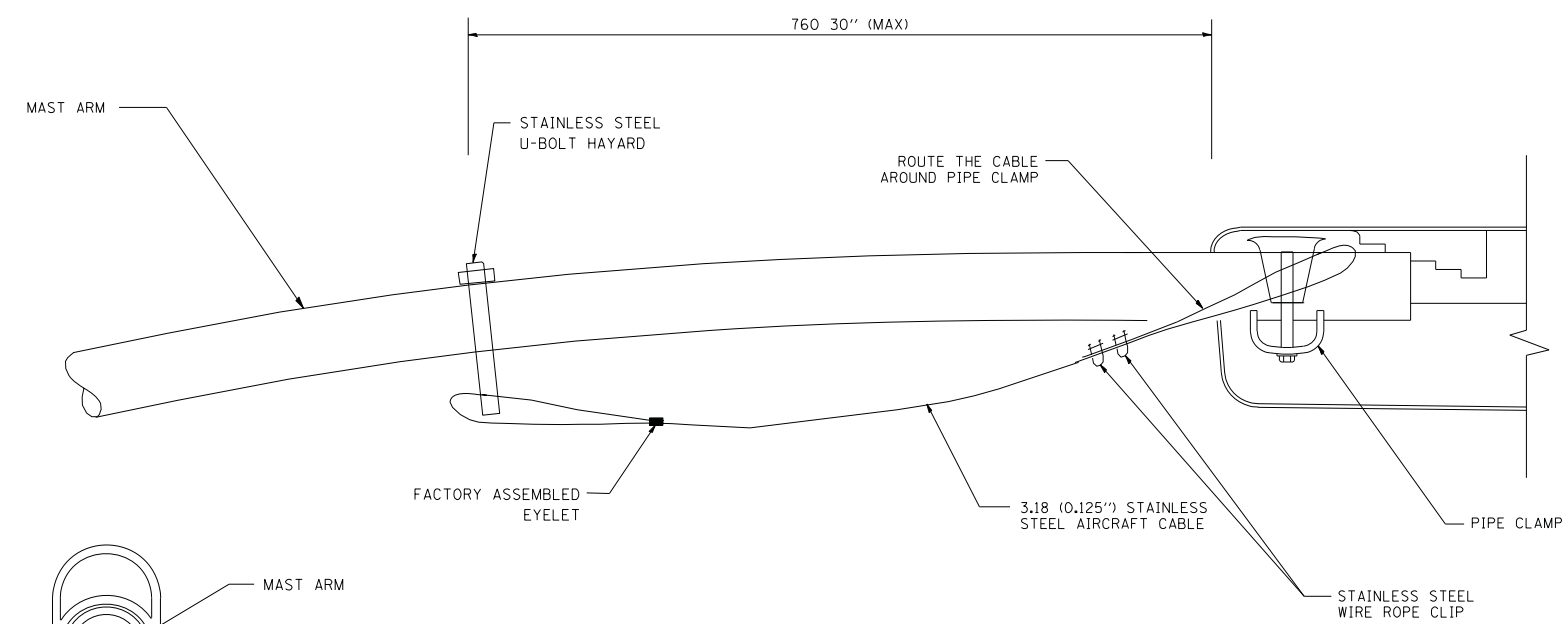
F.A. RTE.	SECTION	COUNTY	TOTAL SHEETS	SHEET NO.
307	130N-3 (11)	DUPAGE	141	124
STA.		TO STA.		
FED. ROAD DIST. NO.		ILLINOIS	FED. AID PROJECT	



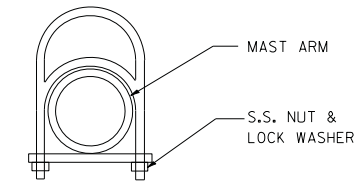
SIDE VIEW (TRUSS ARM)
N.T.S.



BOTTOM VIEW
N.T.S.



SIDE VIEW (SINGLE MEMBER OR DAVIT ARM)
N.T.S.



STAINLESS STEEL U-BOLT HAYARD

NOTES:

1. ALL DIMENSIONS ARE IN MILLIMETERS (INCHES) UNLESS OTHERWISE SHOWN
2. CONTRACTOR SHALL ADJUST THE WIRE CLIP TO ELIMINATE ANY SLACK FROM THE WIRE ROPE.
3. THE 3.18 (0.125") STAINLESS STEEL AIRCRAFT CABLE SHALL REMAIN VISIBLE FROM THE GROUND LEVEL
4. THE BREAKING STRENGTH OF THE CABLE SHALL BE 1700 LBS. MIN

REVISIONS	
NAME	DATE

ILLINOIS DEPARTMENT OF TRANSPORTATION

LUMINAIRE SAFETY CABLE ASSEMBLY

SCALE: NONE
DATE 05/19/2003

DRAWN BY
CHECKED BY