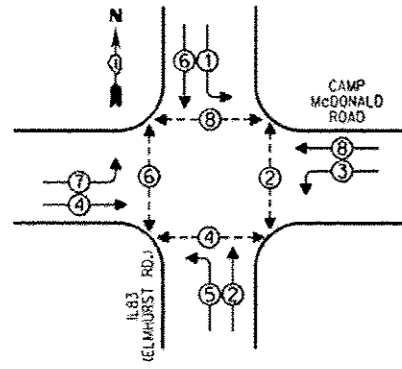


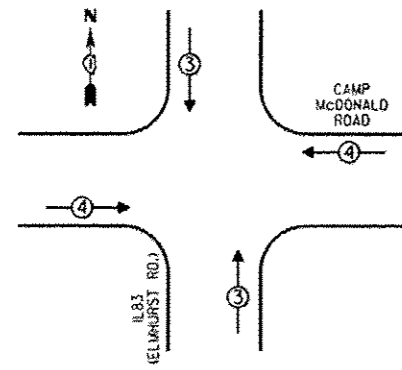
CONTROLLER SEQUENCE



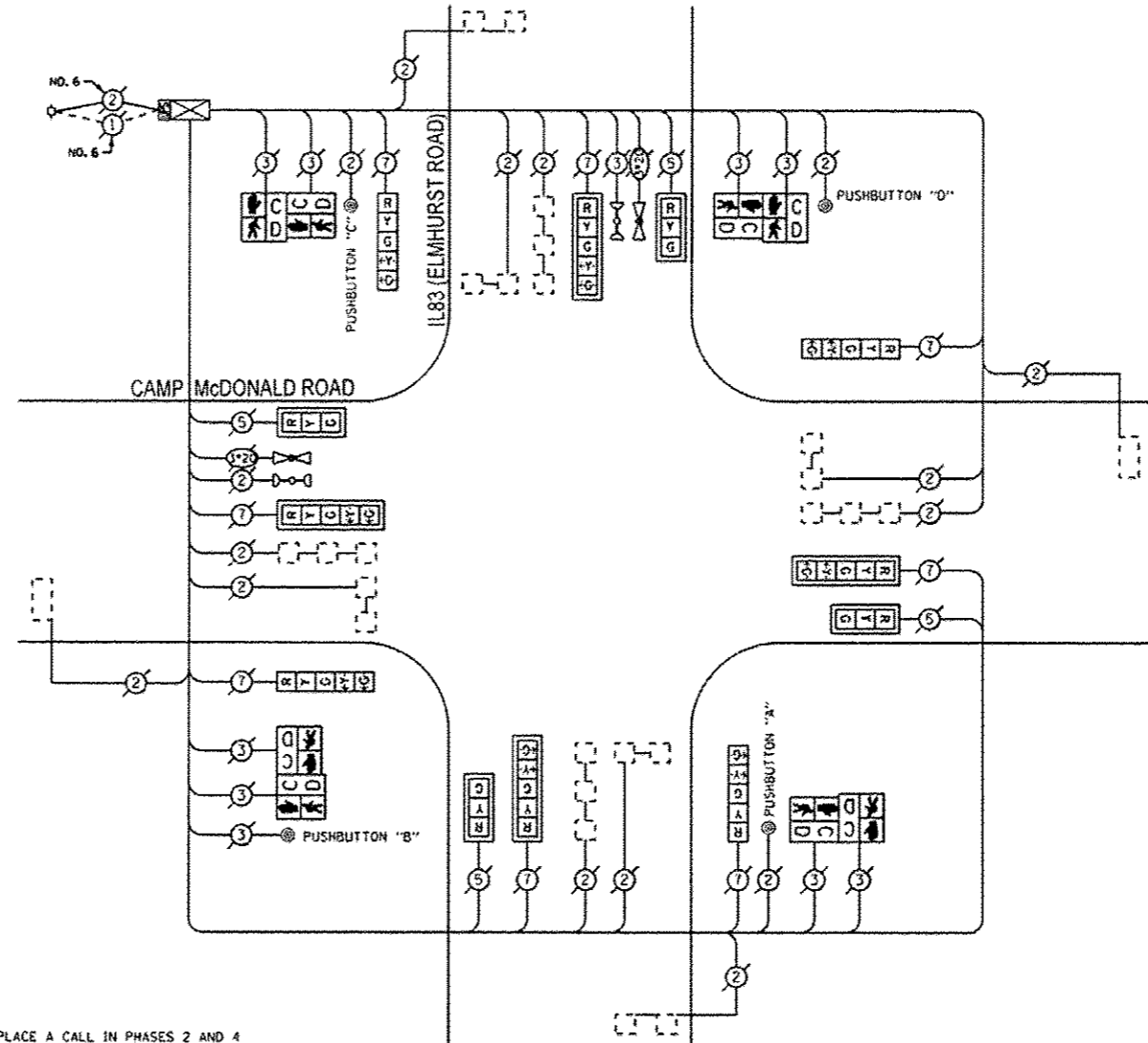
PHASE DESIGNATION DIAGRAM

- LEGEND**
- SINGLE ENTRY PHASE
  - DUAL ENTRY PHASE
  - ⊕ OVERLAP
  - ⊙ PEDESTRIAN PHASE
  - NUMBER REFERS TO ASSOCIATED PHASE

EMERGENCY VEHICLE PREEMPTION SEQUENCE



EMERGENCY VEHICLE PREEMPTORS			
EMERGENCY VEHICLE PREEMPTOR	3	4	
MOVEMENT	↓↑	←→	



CABLE PLAN

NOTE:  
 PUSHBUTTON "A" SHALL PLACE A CALL IN PHASES 2 AND 4  
 PUSHBUTTON "B" SHALL PLACE A CALL IN PHASES 4 AND 6  
 PUSHBUTTON "C" SHALL PLACE A CALL IN PHASES 6 AND 8  
 PUSHBUTTON "D" SHALL PLACE A CALL IN PHASES 2 AND 8

THE TRAFFIC SIGNAL CONTROL EQUIPMENT FOR THIS PROJECT SHALL BE "ECONOLITE".

THE TRAFFIC SIGNAL HOUSINGS SHALL BE BLACK TO MATCH EXISTING EQUIPMENT.

REMOVE EXISTING TRAFFIC SIGNAL EQUIPMENT

THE FOLLOWING ITEMS SHALL BE REMOVED BY THE CONTRACTOR AND SHALL BE DISPOSED OF BY THEM OUTSIDE THE RIGHT-OF-WAY AT THEIR EXPENSE. THE SALVAGE VALUE OF THE REMOVED EQUIPMENT SHALL BE REFLECTED IN THE CONTRACT BID PRICE.

QUANTITY	UNIT	DESCRIPTION
4	EACH	PEDESTRIAN SIGNAL HEAD, 2-FACE
4	EACH	PEDESTRIAN PUSHBUTTON

SCHEDULE OF QUANTITIES

QUAN.	UNIT	ITEM
1	EACH	MAINTENANCE OF EXISTING TRAFFIC SIGNAL INSTALLATION
4	EACH	PEDESTRIAN SIGNAL HEAD, LED, 2-FACE, BRACKET MOUNTED WITH COUNTDOWN TIMER
4	EACH	PEDESTRIAN PUSH-BUTTON
1	EACH	MODIFY EXISTING CONTROLLER CABINET
1	EACH	REMOVE EXISTING TRAFFIC SIGNAL EQUIPMENT
1	EACH	UNINTERRUPTIBLE POWER SUPPLY, SPECIAL

I.D.O.T. TRAFFIC SIGNAL INSTALLATION ELECTRICAL SERVICE REQUIREMENTS				TOTAL WATTAGE
TYPE	NO. OF LAMPS	WATTAGE	LED % OPERATIONS	
SIGNAL (RED)	12	17	0.50	102.00
(YELLOW)	12	25	0.25	75.00
(GREEN)	12	15	0.25	45.00
ARROW	16	12	0.10	14.40
PED. SIGNAL	8	25	1.00	200.00
CONTROLLER	1	100	1.00	100.00
ILLUM. SIGN		25	0.05	
LUMINAIRE		250	0.50	
VIDEO SYSTEM		150	1.00	
FLASHER			0.50	
ENERGY COSTS TO:				TOTAL = 536.40

VILLAGE OF MOUNT PROSPECT  
 50 SOUTH EMERSON STREET  
 MOUNT PROSPECT, ILLINOIS 60056

ENERGY SUPPLY - CONTACT: DAVE SCHACHT  
 PHONE: (630) 437-2129  
 COMPANY: COMED

FILE NAME =	USER NAME = #USER#	DESIGNED -	REVISED - 07-17-13	<b>STATE OF ILLINOIS DEPARTMENT OF TRANSPORTATION</b>	<b>SCHEDULE OF QUANTITIES, CABLE PLAN, PHASE DESIGNATION DIAGRAM, AND EMERGENCY VEHICLE PREEMPTION SEQUENCE, IL83 (ELMHURST ROAD) AT CAMP McDONALD ROAD</b>				F.A. RTE.	SECTION	COUNTY	TOTAL SHEETS	SHEET NO.	
#FILE#		DRAWN -	REVISED -		SCALE: NONE	SHEET	OF	SHEETS	STA.	TO STA.	2013-005-1	COOK	85	85A
#MODEL#		CHECKED -	REVISED -											
		DATE -	REVISED -											

ILLINOIS FED. AID PROJECT