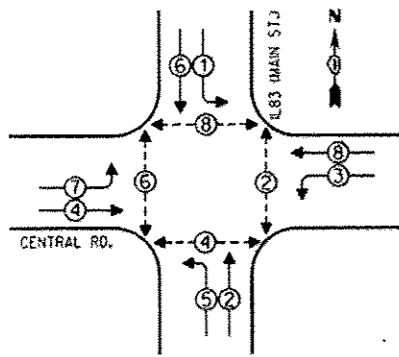


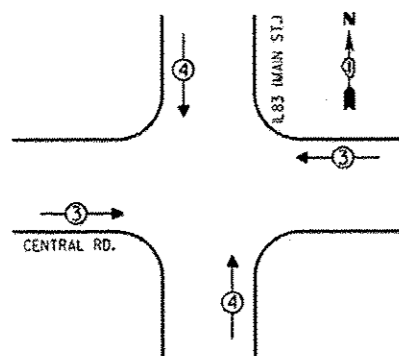
CONTROLLER SEQUENCE



PHASE DESIGNATION DIAGRAM

- LEGEND**
- SINGLE ENTRY PHASE
 - DUAL ENTRY PHASE
 - ◇ OVERLAP
 - ◇ PEDESTRIAN PHASE
 - NUMBER REFERS TO ASSOCIATED PHASE

EMERGENCY VEHICLE PREEMPTION SEQUENCE

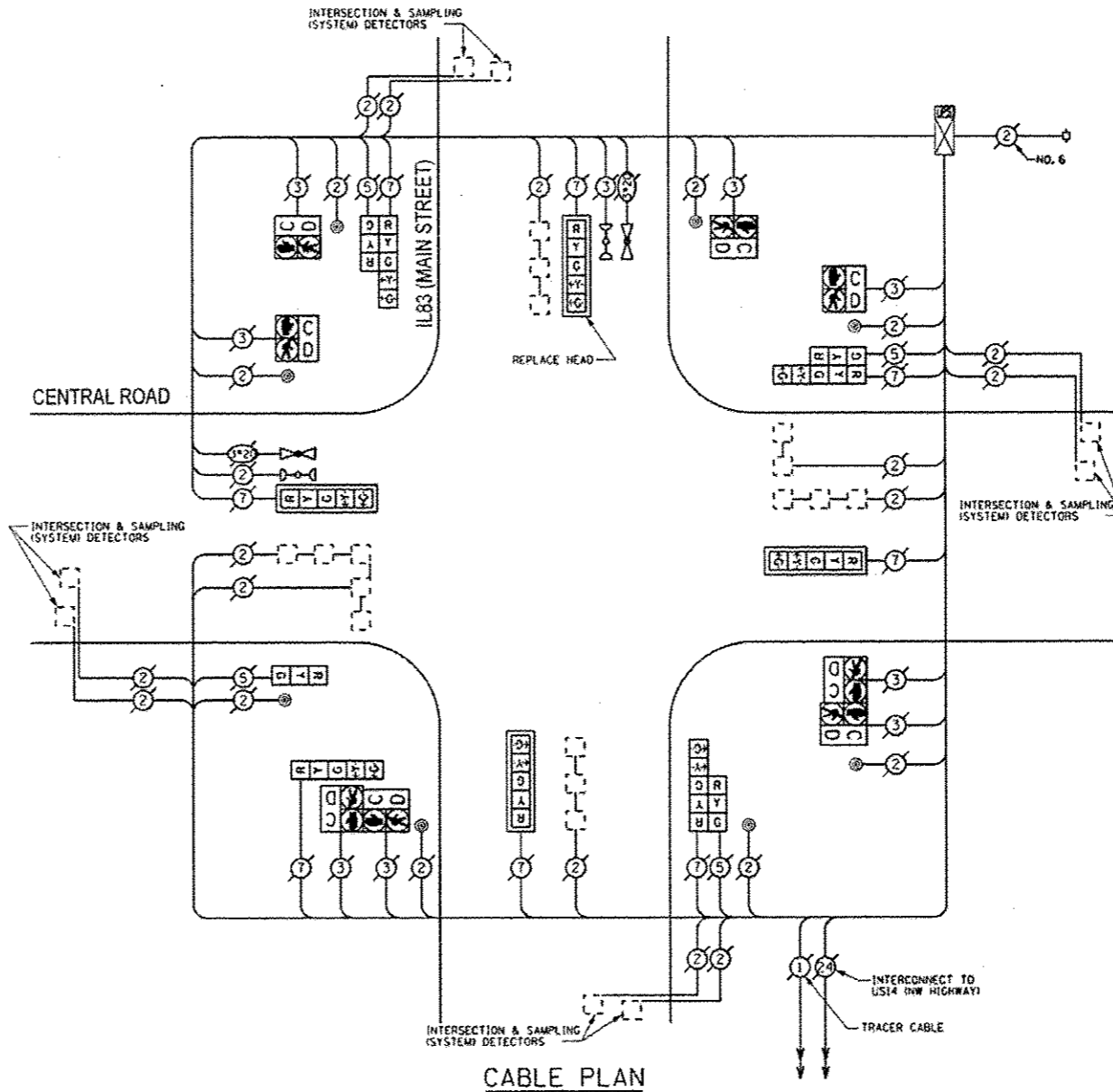


EMERGENCY VEHICLE PREEMPTORS			
EMERGENCY VEHICLE PREEMPTOR	3	4	
MOVEMENT	←→	↑↓	

I.D.O.T. TRAFFIC SIGNAL INSTALLATION ELECTRICAL SERVICE REQUIREMENTS					TOTAL WATTAGE
TYPE	NO. OF LAMPS (INCAND)	WATTAGE	LED % OPERATIONS		
SIGNAL (RED)	12	17	0.50		102.00
(YELLOW)	12	25	0.25		75.00
(GREEN)	12	15	0.25		45.00
ARROW	16	12	0.10		19.20
PED. SIGNAL	8	25	1.00		200.00
CONTROLLER	1	100	1.00		100.00
ILLUM. SIGN		25	0.05		
LUMINAIRE		250	0.50		
VIDEO SYSTEM		150	1.00		
FLASHER			0.50		
ENERGY COSTS TO:					TOTAL = 541.20

VILLAGE OF MOUNT PROSPECT
50 SOUTH EMERSON STREET
MOUNT PROSPECT, ILLINOIS 60056

ENERGY SUPPLY - CONTACT: DAVE SCHACHT
PHONE: (630) 437-2129
COMPANY: COMED



CABLE PLAN



RETROFIT ALL EXISTING TRAFFIC SIGNAL HEADS EXCEPT AS NOTED

THE TRAFFIC SIGNAL HOUSINGS SHALL BE BLACK TO MATCH EXISTING EQUIPMENT.

THE TRAFFIC SIGNAL CONTROL EQUIPMENT FOR THIS PROJECT SHALL BE "ECONOLITE".

REMOVE EXISTING TRAFFIC SIGNAL EQUIPMENT

THE FOLLOWING ITEMS SHALL BE REMOVED BY THE CONTRACTOR AND SHALL BE DISPOSED OF BY THEM OUTSIDE THE RIGHT-OF-WAY AT THEIR EXPENSE. THE SALVAGE VALUE OF THE REMOVED EQUIPMENT SHALL BE REFLECTED IN THE CONTRACT BID PRICE.

QUANTITY	UNIT	DESCRIPTION
1	EACH	SIGNAL HEAD, 1-FACE, 5 SECTION
8	EACH	PEDESTRIAN PUSHBUTTON

SCHEDULE OF QUANTITIES

QUAN.	UNIT	ITEM
1	EACH	MAINTENANCE OF EXISTING TRAFFIC SIGNAL INSTALLATION
1	EACH	SIGNAL HEAD, LED, 1-FACE, 5-SECTION, MAST ARM MOUNTED
1	EACH	TRAFFIC SIGNAL BACKPLATE
8	EACH	PEDESTRIAN PUSH-BUTTON
1	EACH	MODIFY EXISTING CONTROLLER CABINET
1	EACH	REMOVE EXISTING TRAFFIC SIGNAL EQUIPMENT
1	EACH	UNINTERRUPTIBLE POWER SUPPLY, SPECIAL
3	EACH	SIGNAL HEAD, LED, 2-FACE, 1-3 SECTION, 1-5 SECTION, BRACKET MOUNTED, RETROFIT
1	EACH	SIGNAL HEAD, LED, 1-FACE, 3-SECTION, BRACKET MOUNTED, RETROFIT
3	EACH	SIGNAL HEAD, LED, 1-FACE, 5-SECTION, MAST ARM MOUNTED, RETROFIT
1	EACH	SIGNAL HEAD, LED, 1-FACE, 5-SECTION, BRACKET MOUNTED, RETROFIT