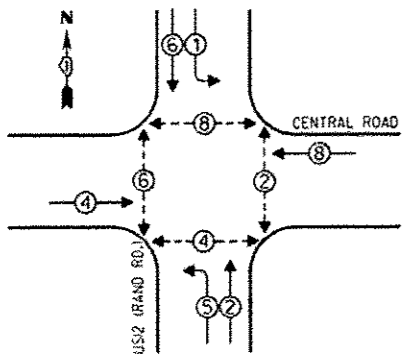
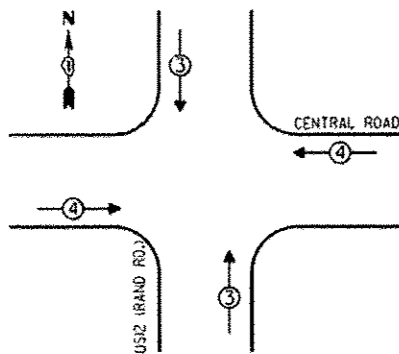


CONTROLLER SEQUENCE

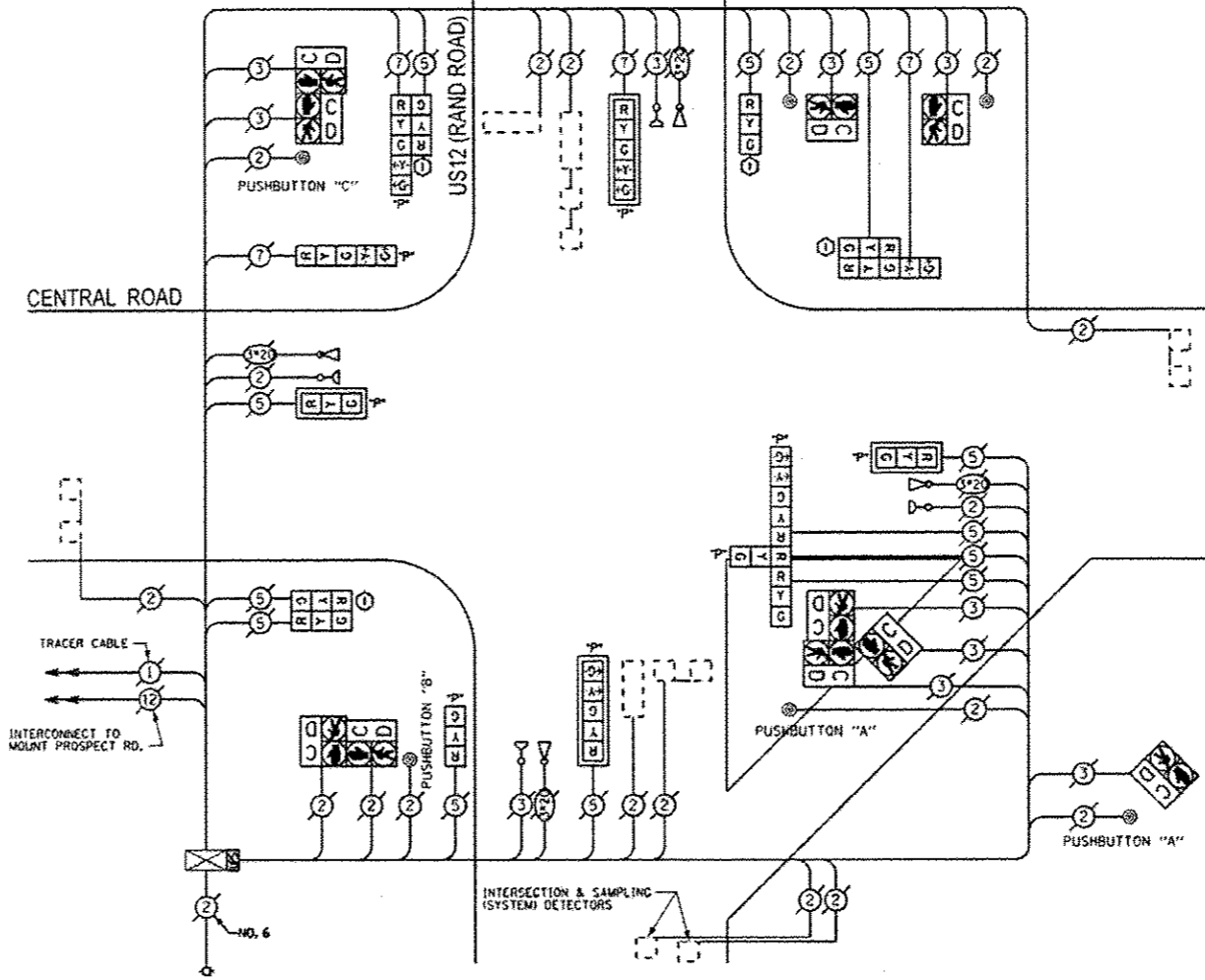


PHASE DESIGNATION DIAGRAM

EMERGENCY VEHICLE PREEMPTION SEQUENCE



EMERGENCY VEHICLE PREEMPTORS	
EMERGENCY VEHICLE PREEMPTOR	3 4
MOVEMENT	↓ ↑ → ←



CABLE PLAN

NOTE:
 PUSHBUTTON "A" SHALL PLACE A CALL IN PHASES 2 AND 4
 PUSHBUTTON "B" SHALL PLACE A CALL IN PHASES 4 AND 6
 PUSHBUTTON "C" SHALL PLACE A CALL IN PHASES 6 AND 8

CONSTRUCTION NOTE

① EXISTING PROGRAMMED HEAD TO BE REPLACED WITH STANDARD L.E.D. HEAD

THE TRAFFIC SIGNAL CONTROL EQUIPMENT FOR THIS PROJECT SHALL BE "ECONOLITE".

THE TRAFFIC SIGNAL HOUSINGS SHALL BE BLACK TO MATCH EXISTING EQUIPMENT.

REPLACE ALL EXISTING TRAFFIC SIGNAL HEADS

I.O.O.T. TRAFFIC SIGNAL INSTALLATION ELECTRICAL SERVICE REQUIREMENTS				TOTAL WATTAGE
TYPE	NO. OF LAMPS/INCAND	WATTAGE	LED % OPERATIONS	
SIGNAL (RED)	16	17	0.50	136.00
(YELLOW)	16	25	0.25	100.00
(GREEN)	16	15	0.25	60.00
ARROW	12	12	0.10	14.40
PED. SIGNAL	10	25	1.00	250.00
CONTROLLER	1	100	1.00	100.00
ILLUM. SIGN		25	0.05	
LUMINAIRE		250	0.50	
VIDEO SYSTEM		150	1.00	
FLASHER			0.50	
ENERGY COSTS TO:				TOTAL = 660.40

VILLAGE OF MOUNT PROSPECT
 50 SOUTH EMERSON STREET
 MOUNT PROSPECT, ILLINOIS 60056

ENERGY SUPPLY - CONTACT: DAVE SCHACHT
 PHONE: (630) 437-2129
 COMPANY: COMED

REMOVE EXISTING TRAFFIC SIGNAL EQUIPMENT

THE FOLLOWING ITEMS SHALL BE REMOVED BY THE CONTRACTOR AND SHALL BE DISPOSED OF BY THEM OUTSIDE THE RIGHT-OF-WAY AT THEIR EXPENSE. THE SALVAGE VALUE OF THE REMOVED EQUIPMENT SHALL BE REFLECTED IN THE CONTRACT BID PRICE.

QUANTITY	UNIT	DESCRIPTION
4	EACH	SIGNAL HEAD, 1-FACE, 3-SECTION
2	EACH	SIGNAL HEAD, 1-FACE, 5-SECTION
1	EACH	SIGNAL HEAD, 2-FACE, 3-SECTION
2	EACH	SIGNAL HEAD, 2-FACE, 1-3 SECTION, 1-5 SECTION
1	EACH	SIGNAL HEAD, 3-FACE, 2-3 SECTION, 1-5 SECTION
6	EACH	PEDESTRIAN PUSHBUTTON

SCHEDULE OF QUANTITIES

QUAN.	UNIT	ITEM
1	EACH	MAINTENANCE OF EXISTING TRAFFIC SIGNAL INSTALLATION
1	EACH	SIGNAL HEAD, LED, 1-FACE, 3-SECTION, BRACKET MOUNTED
1	EACH	SIGNAL HEAD, LED, 2-FACE, 3-SECTION, BRACKET MOUNTED
1	EACH	SIGNAL HEAD, LED, 2-FACE, 1-3 SECTION, 1-5 SECTION, BRACKET MOUNTED
1	EACH	OPTICALLY PROGRAMMED SIGNAL HEAD, LED, 1-FACE, 3-SECTION, BRACKET MOUNTED
2	EACH	OPTICALLY PROGRAMMED SIGNAL HEAD, LED, 1-FACE, 5-SECTION, MAST ARM MOUNTED
1	EACH	OPTICALLY PROGRAMMED SIGNAL HEAD, LED, 1-FACE, 5-SECTION, BRACKET MOUNTED
2	EACH	OPTICALLY PROGRAMMED SIGNAL HEAD, LED, 1-FACE, 5-SECTION, MAST ARM MOUNTED
1	EACH	COMBINATION SIGNAL HEAD, LED, 2-FACE, 1-5 SECTION OPTICALLY PROGRAMMED, 1-3 SECTION, BRACKET MOUNTED
1	EACH	COMBINATION SIGNAL HEAD, LED, 3-FACE, 1-3 SECTION OPTICALLY PROGRAMMED, 1-5 SECTION OPTICALLY PROGRAMMED, 1-3 SECTION, BRACKET MOUNTED
4	EACH	TRAFFIC SIGNAL BACKPLATE
6	EACH	PEDESTRIAN PUSH-BUTTON
1	EACH	MODIFY EXISTING CONTROLLER CABINET
1	EACH	REMOVE EXISTING TRAFFIC SIGNAL EQUIPMENT
1	EACH	UNINTERRUPTIBLE POWER SUPPLY, SPECIAL