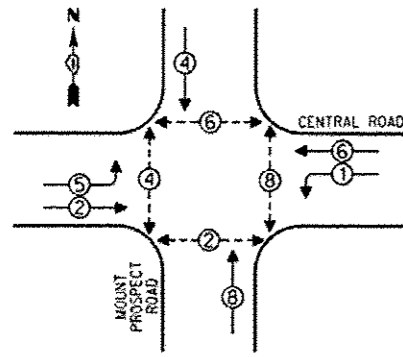


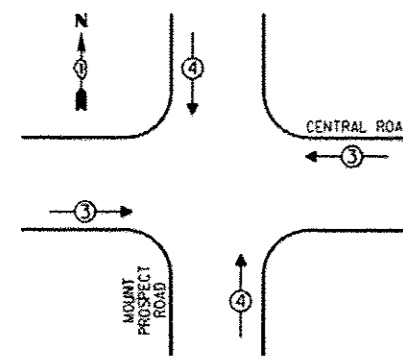
CONTROLLER SEQUENCE



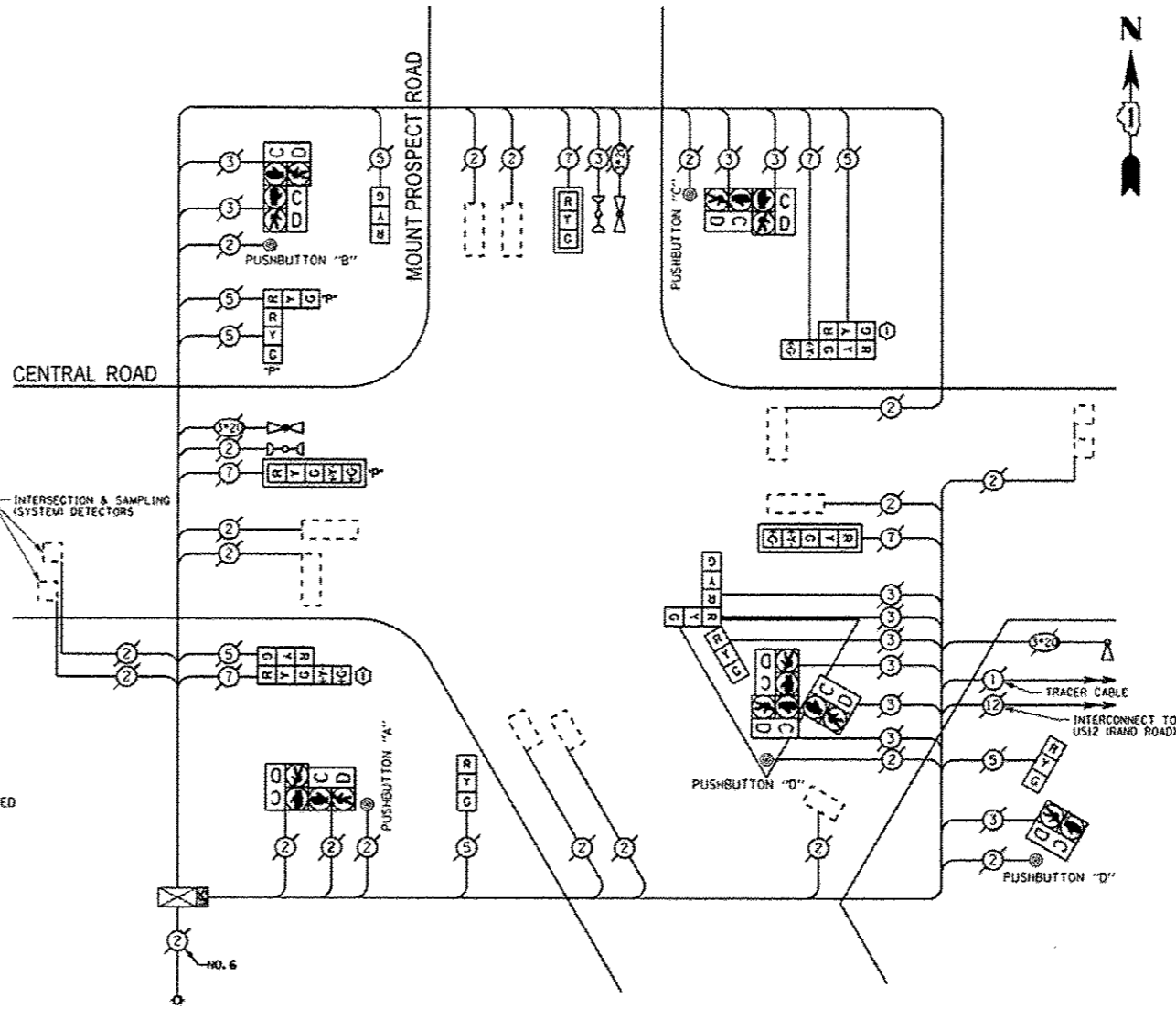
- LEGEND**
- SINGLE ENTRY PHASE
 - DUAL ENTRY PHASE
 - ◇ OVERLAP
 - ⊙ PEDESTRIAN PHASE
 - * NUMBER REFERS TO ASSOCIATED PHASE

PHASE DESIGNATION DIAGRAM

EMERGENCY VEHICLE PREEMPTION SEQUENCE



| EMERGENCY VEHICLE PREEMPTORS | | | |
|------------------------------|----|----|--|
| EMERGENCY VEHICLE PREEMPTOR | 3 | 4 | |
| MOVEMENT | ←→ | ↑↓ | |



CONSTRUCTION NOTE

- ① EXISTING PROGRAMMED HEAD TO BE REPLACED WITH STANDARD L.E.D. HEAD

NOTE:

- PUSHBUTTON "A" SHALL PLACE A CALL IN PHASES 2 AND 4
- PUSHBUTTON "B" SHALL PLACE A CALL IN PHASES 4 AND 6
- PUSHBUTTON "C" SHALL PLACE A CALL IN PHASES 6 AND 8
- PUSHBUTTON "D" SHALL PLACE A CALL IN PHASES 2 AND 8

REMOVE EXISTING TRAFFIC SIGNAL EQUIPMENT

THE FOLLOWING ITEMS SHALL BE REMOVED BY THE CONTRACTOR AND SHALL BE DISPOSED OF BY THEM OUTSIDE THE RIGHT-OF-WAY AT THEIR EXPENSE. THE SALVAGE VALUE OF THE REMOVED EQUIPMENT SHALL BE REFLECTED IN THE CONTRACT BID PRICE.

| QUANTITY | UNIT | DESCRIPTION |
|----------|------|---|
| 4 | EACH | SIGNAL HEAD, 1-FACE, 3-SECTION |
| 2 | EACH | SIGNAL HEAD, 1-FACE, 5-SECTION |
| 1 | EACH | SIGNAL HEAD, 2-FACE, 3-SECTION |
| 2 | EACH | SIGNAL HEAD, 2-FACE, 1-3 SECTION, 1-5 SECTION |
| 1 | EACH | SIGNAL HEAD, 3-FACE, 3-SECTION |
| 5 | EACH | PEDESTRIAN PUSHBUTTON |

REPLACE ALL EXISTING TRAFFIC SIGNAL HEADS

THE TRAFFIC SIGNAL CONTROL EQUIPMENT FOR THIS PROJECT SHALL BE "ECONOLITE".

THE TRAFFIC SIGNAL HOUSINGS SHALL BE BLACK TO MATCH EXISTING EQUIPMENT.

SCHEDULE OF QUANTITIES

| QUAN. | UNIT | ITEM |
|-------|------|--|
| 1 | EACH | MAINTENANCE OF EXISTING TRAFFIC SIGNAL INSTALLATION |
| 1 | EACH | SIGNAL HEAD, LED, 1-FACE, 3-SECTION, MAST ARM MOUNTED |
| 3 | EACH | SIGNAL HEAD, LED, 1-FACE, 3-SECTION, BRACKET MOUNTED |
| 1 | EACH | SIGNAL HEAD, LED, 1-FACE, 5-SECTION, MAST ARM MOUNTED |
| 2 | EACH | SIGNAL HEAD, LED, 2-FACE, 1-3 SECTION, 1-5 SECTION, BRACKET MOUNTED |
| 1 | EACH | SIGNAL HEAD, LED, 3-FACE, 3-SECTION, BRACKET MOUNTED |
| 1 | EACH | OPTICALLY PROGRAMMED SIGNAL HEAD, LED, 1-FACE, 5-SECTION, MAST ARM MOUNTED |
| 1 | EACH | OPTICALLY PROGRAMMED SIGNAL HEAD, LED, 2-FACE, 3-SECTION, BRACKET MOUNTED |
| 3 | EACH | TRAFFIC SIGNAL BACKPLATE |
| 5 | EACH | PEDESTRIAN PUSH-BUTTON |
| 1 | EACH | MODIFY EXISTING CONTROLLER CABINET |
| 1 | EACH | REMOVE EXISTING TRAFFIC SIGNAL EQUIPMENT |
| 1 | EACH | UNINTERRUPTIBLE POWER SUPPLY, SPECIAL |

| I.O.O.F. TRAFFIC SIGNAL INSTALLATION ELECTRICAL SERVICE REQUIREMENTS | | | | TOTAL WATTAGE |
|--|--------------|------------------|--------------------|----------------|
| TYPE | NO. OF LAMPS | WATTAGE (INCAND) | LED X % OPERATIONS | |
| SIGNAL (RED) | 15 | 17 | 0.50 | 127.50 |
| (YELLOW) | 15 | 25 | 0.25 | 93.75 |
| (GREEN) | 15 | 15 | 0.25 | 56.25 |
| ARROW | 8 | 12 | 0.10 | 9.60 |
| RED. SIGNAL CONTROLLER | 10 | 25 | 1.00 | 250.00 |
| ILLUM. SIGN | 1 | 100 | 1.00 | 100.00 |
| LUMINAIRE | | 25 | 0.05 | |
| VIDEO SYSTEM | | 150 | 1.00 | |
| FLASHER | | | 0.50 | |
| ENERGY COSTS TO: | | | | TOTAL = 637.10 |

VILLAGE OF MOUNT PROSPECT
50 SOUTH EMERSON STREET
MOUNT PROSPECT, ILLINOIS 60056

ENERGY SUPPLY - CONTACT: DAVE SCHACHT
PHONE: (630) 437-2129
COMPANY: COMED